

ASSEMBLY INSTRUCTION

SH2214T-1 TWIN BED

Thank you for purchasing this product. Please take time to read and follow the instructions below. Check that you have all parts and hardware before assembly. Parts apparently missing are often found in the packing materials. If you do not have all the parts listed, have your dealer contact us and they will be sent to you immediately.

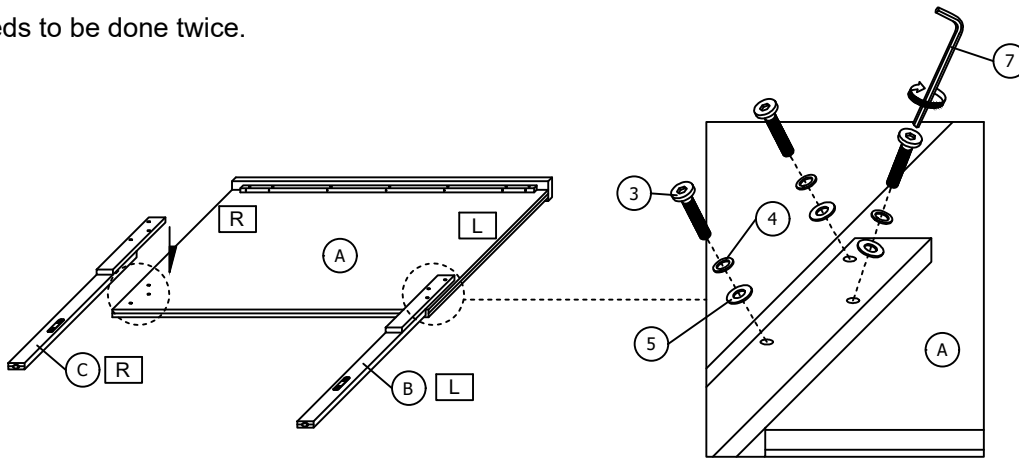
⚠ It is recommended to install protective pads under all legs and supports to avoid damage or scratches when placing furniture on a wood floor or other hard surface, and to limit indentation and prevent discoloration if placing on carpet.

PARTS LIST			
ITEM	DESCRIPTION	SKETCH	QTY
A	HEADBOARD		1 PC
B	HEADBOARD LEG (L)		1 PC
C	HEADBOARD LEG (R)		1 PC
D	FOOTBOARD		1 PC
E	SIDE RAIL (i)		2 PCS
F	SIDE RAIL (ii)		2 PCS
G	SLAT		4 PCS
H	SIDE RAIL SUPPORT LEG		2 PCS

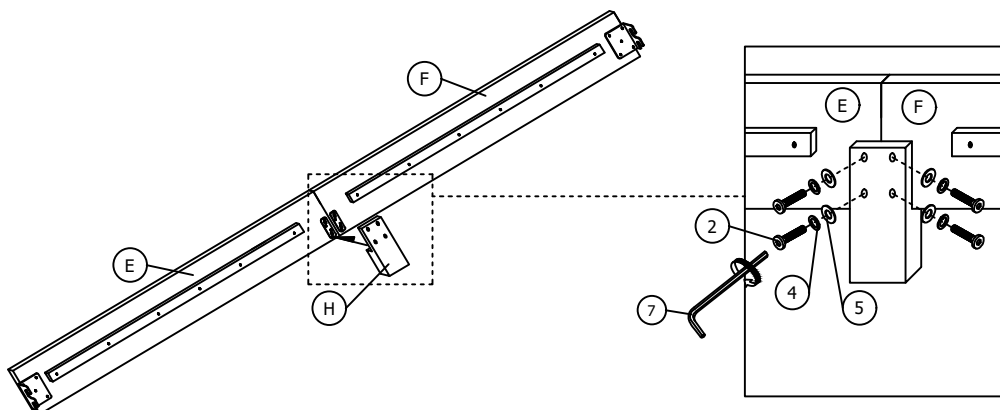
HARDWARES LIST			
ITEM	DESCRIPTION	SKETCH	QTY
1	JCBB SCREW (M8 x 20MM)		8 PCS
2	JCBB SCREW (M8 x 25MM)		8 PCS
3	JCBB SCREW (M8 x 35MM)		6 PCS
4	SPRING WASHER (M8 x 14MM)		14 PCS
5	FLAT WASHER (M8 x 22MM)		14 PCS
6	CSK SCREW (M4 x 32MM)		8 PCS
7	ALLEN KEY (M5 x 65MM)		1 PC

STEP 1

This step needs to be done twice.



STEP 2



**DO NOT TIGHTEN BOLTS UNTIL COMPLETELY ASSEMBLED

ASSEMBLY INSTRUCTION

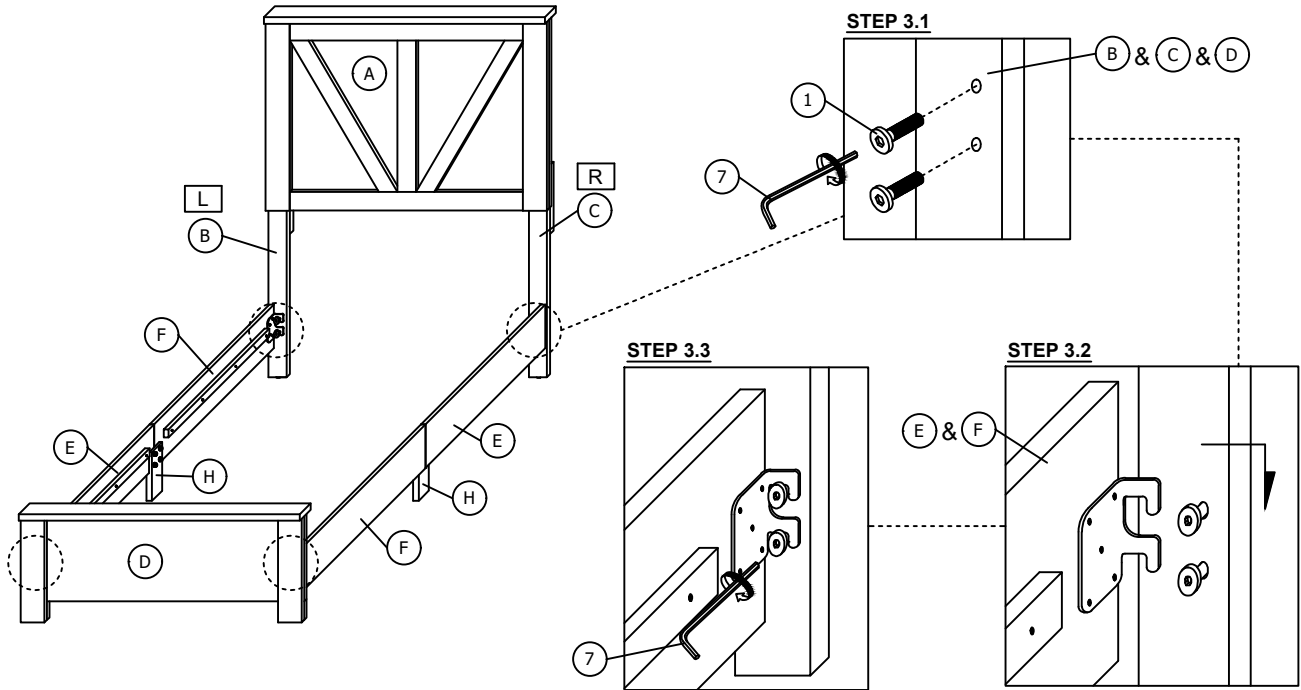
SH2214T-1 TWIN BED

STEP 3

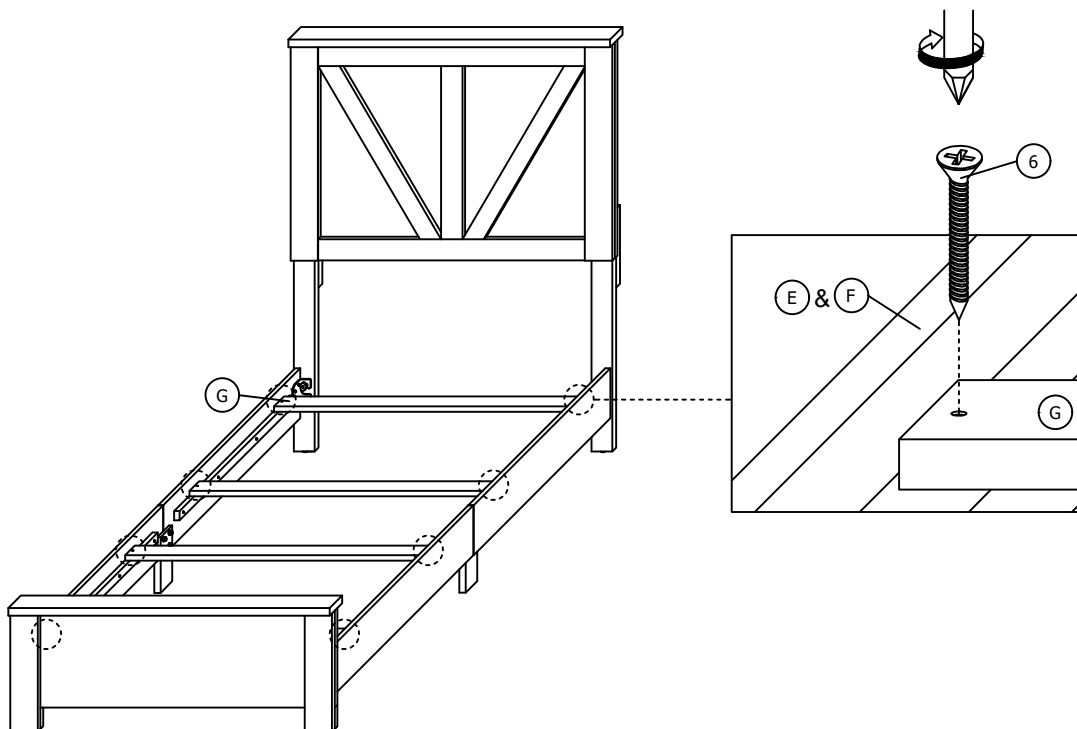
STEP 3.1 : Insert but do not tighten item (1).

STEP 3.2 : Put item (E)&(F) on item (B),(C) and (D).

STEP 3.3 : Tighten item (1).



STEP 4



ASSEMBLY INSTRUCTION

SH2214T-1 TWIN BED

STEP 5

