

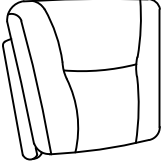
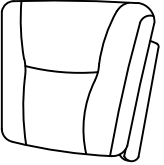
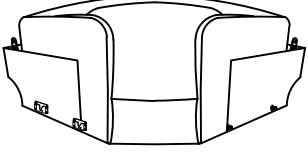
Assembly Instruction

WEDGE

ITEM NO.: SH8899-CR

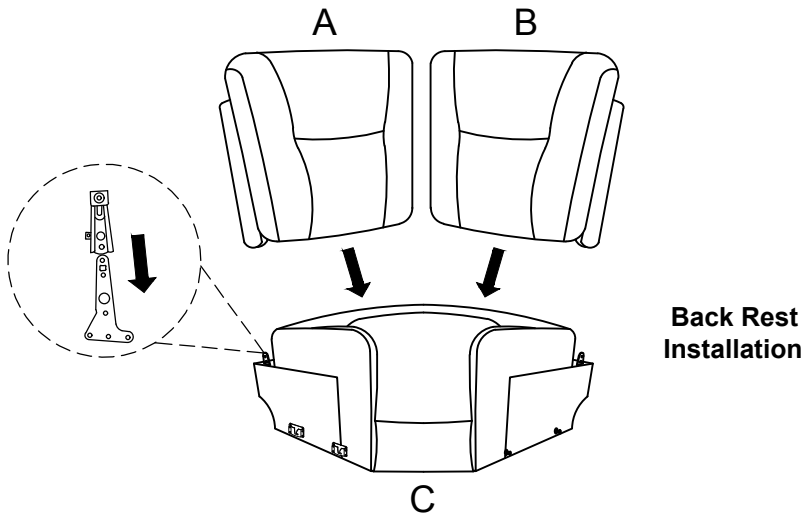
NOTE: Do not use power tools for assembly. Power tools increase the risk of over tightening which leads to splitting or cracking the wood.

COMPONENT LIST (CHAIR)

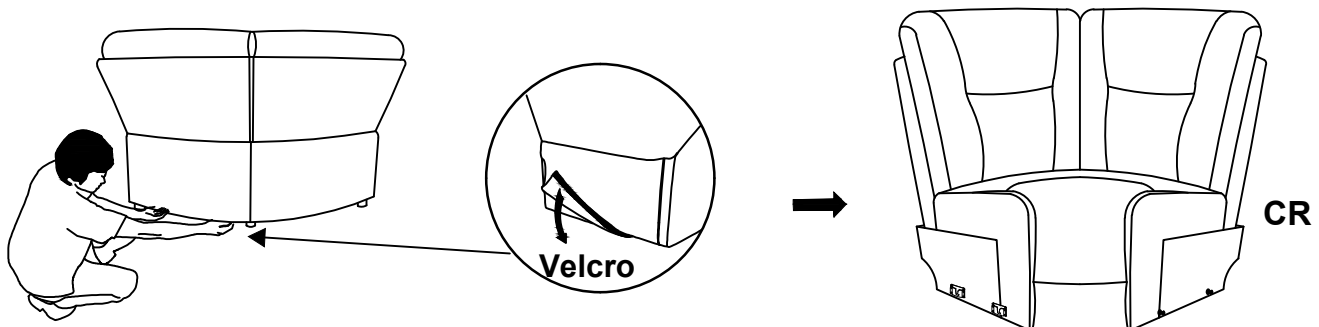
| NO. | DRAWING | QTY | DESCRIPTION |
|----------|---|-------------|------------------------|
| A |  | 1 PC | LEFT BACK REST |
| B |  | 1 PC | RIGHT BACK REST |
| C |  | 1 PC | SEAT |

STEP#1

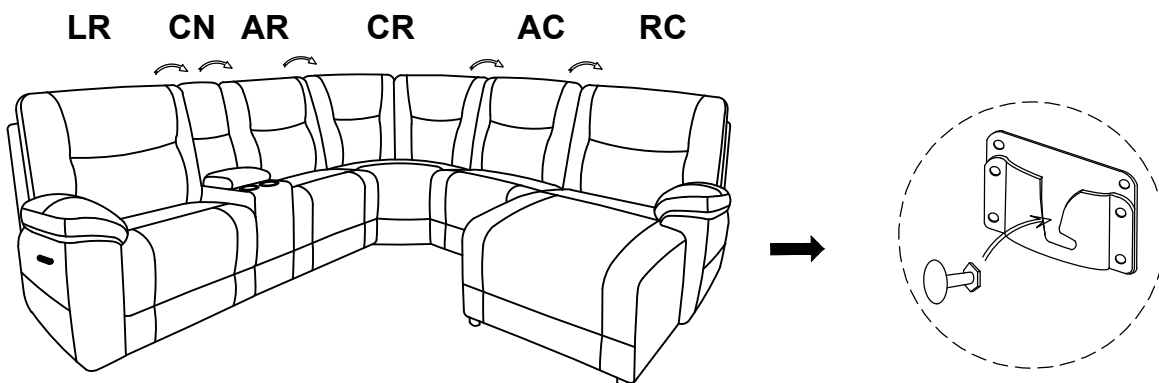
Align the female brackets at the back rest onto the male brackets at the seat, insert back rest to the seat then push to the end and make sure it is fixed in position securely.



STEP#2



STEP#3



CARE INSTRUCTION FOR FABRIC:

In order to maintain the original appearance of your fabric furniture, please follow below simple care procedure :

- Avoid exposing furniture directly to sunlight or heating and air conditioning outlets. Exposure to sunlight or heating and air conditioning outlets will fade/damage fabric.
- Wipe gently with a damp soft cloth to remove dust, dirt and any grime build up.
- Wipe fabric with professional cleanser.