



ASSEMBLY INSTRUCTION

ITEM NO:9630BE/GY/BK-2L

LEFT SIDE 2-SEATER WITH PULL-OUT BED AND USB PORTS, 2 ARMS WITH SHELVES

9630BE/GY/BK-RC

RIGHT SIDE CHAISE WITH HIDDEN STORAGE, 2-SEATER'S BACKS AND 2 PILLOWS

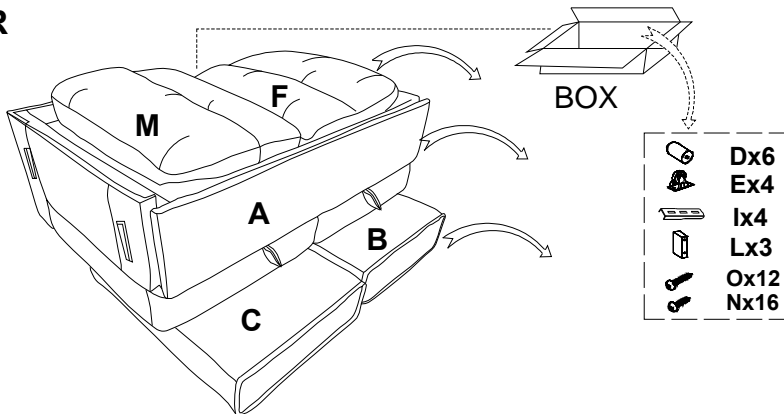


Legs and hardware are stored in the box, please take out for assembly

NOTE: Do not use power tools for assembly. Power tools increase the risk of over tightening which lead to splitting or cracking the wood.

Location of KD parts

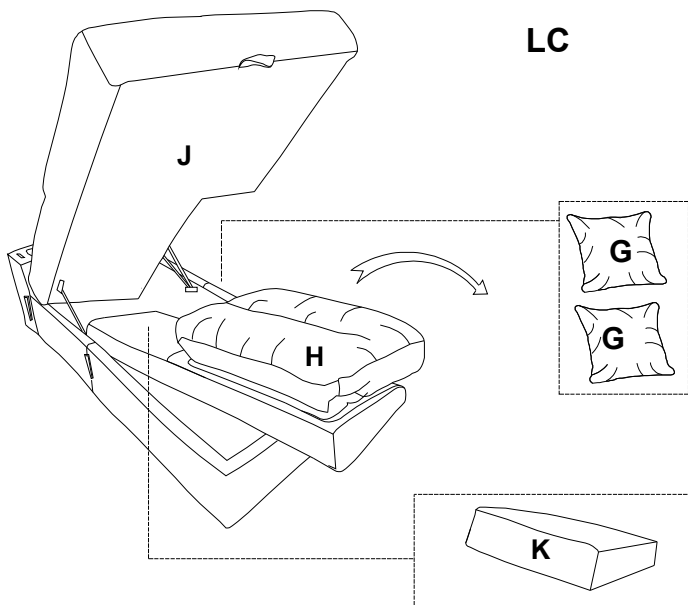
2R



2-SEATER PART LIST

No.	Description	Diagram	Quantity
A	POP-UP SLEEPER SEAT		1
B	LSF ARM (Arm for LC)		1
C	RSF ARM		1
D	ROUND PLASTIC LEG 50x50x50mm		4
E	CASTOR		4
F	BACK CUSHION RSF		1
G	PILLOW 18"x18" (Packed in LC)		1
H	BACK REST (Packed in LC)		1
I	MALE BRACKET		2

LC

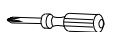


CHAISE PART LIST

No.	Description	Diagram	Quantity
J	CHAISE SEAT		1
K	BACK REST		1
L	PLASTIC LEG 150x50x50mm (packed in 2R)		3
M	BACK CUSHION LSF (packed in 2R)		1
I	MALE BRACKET (packed in 2R)		2
G	PILLOW 18"x18"		1
D	ROUND PLASTIC LEG 50x50x50mm (packed in 2R)		2

HARDWARE LIST :

No.	Description	Diagram	Quantity
O	SCREW	Ø8x45MM	12
N	SCREW	Ø8x25MM	16

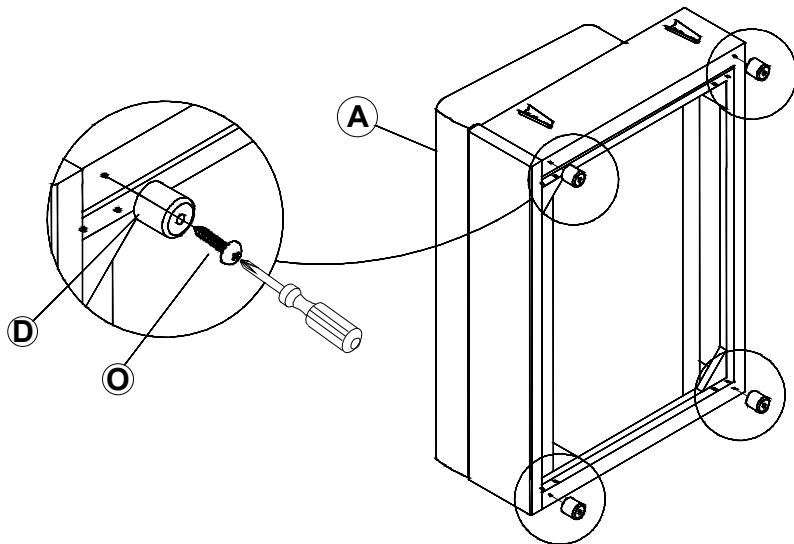


Not Included

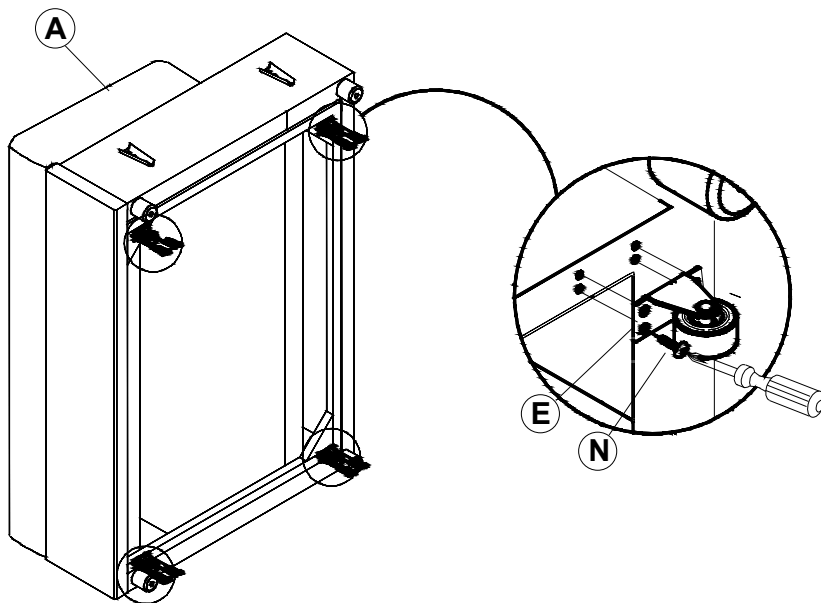
ASSEMBLY INSTRUCTION

ITEM NO: 9630BE/GY/BK-2L
9630BE/GY/BK-RC

Step 1



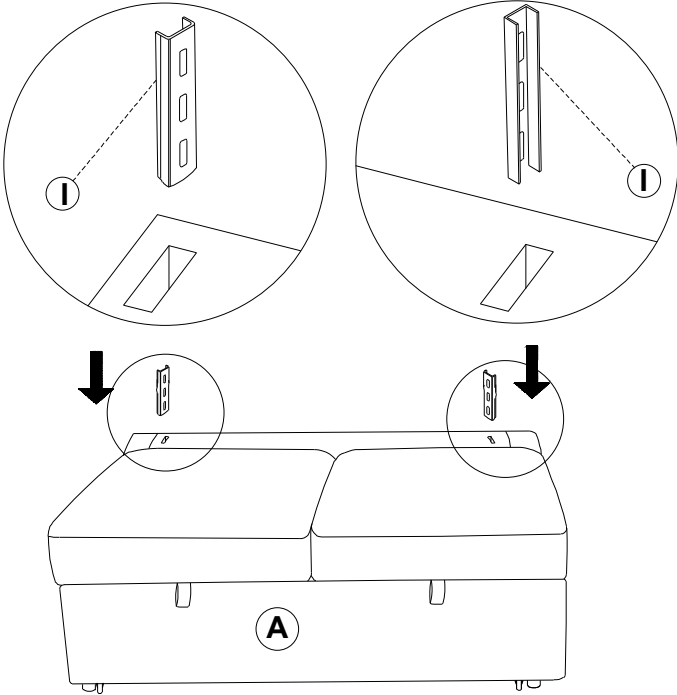
Step 2



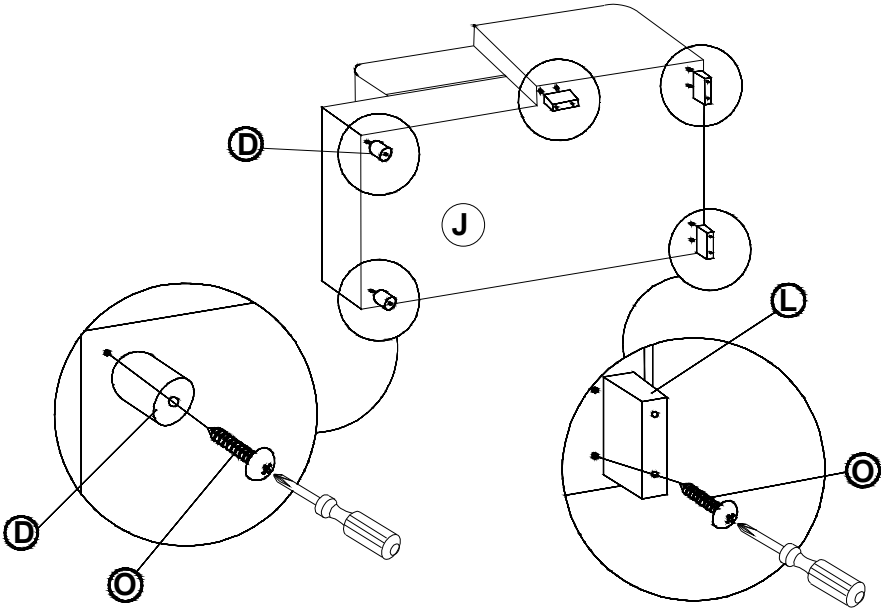
ASSEMBLY INSTRUCTION

ITEM NO: 9630BE/GY/BK-2L
9630BE/GY/BK-RC

Step 3



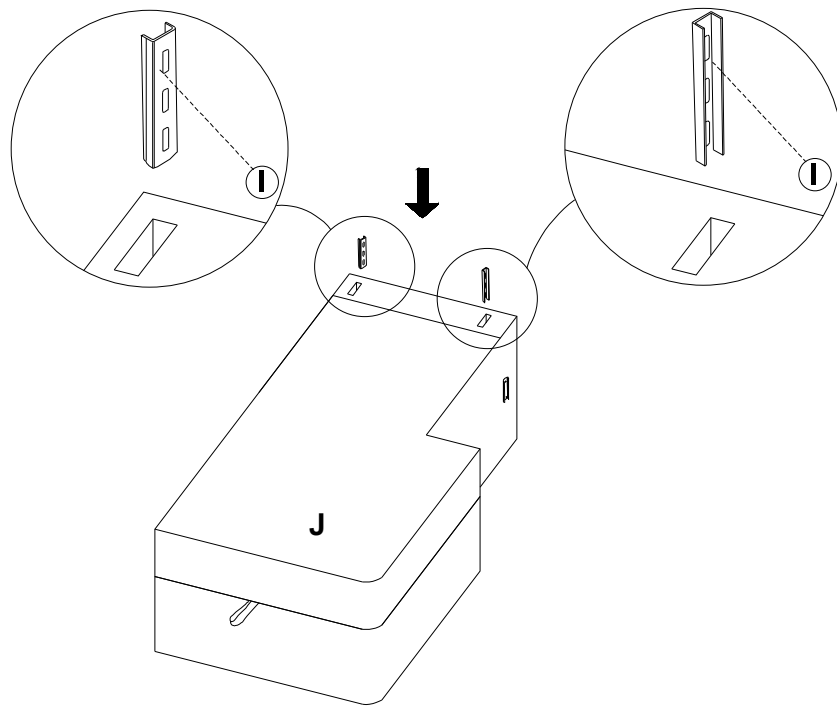
Step 4



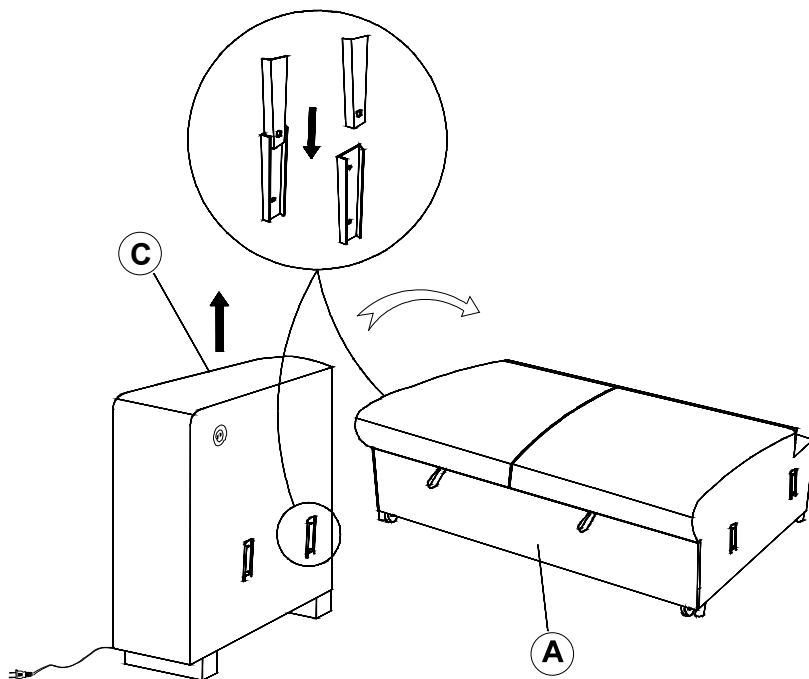
ASSEMBLY INSTRUCTION

ITEM NO: 9630BE/GY/BK-2L
9630BE/GY/BK-RC

Step 5



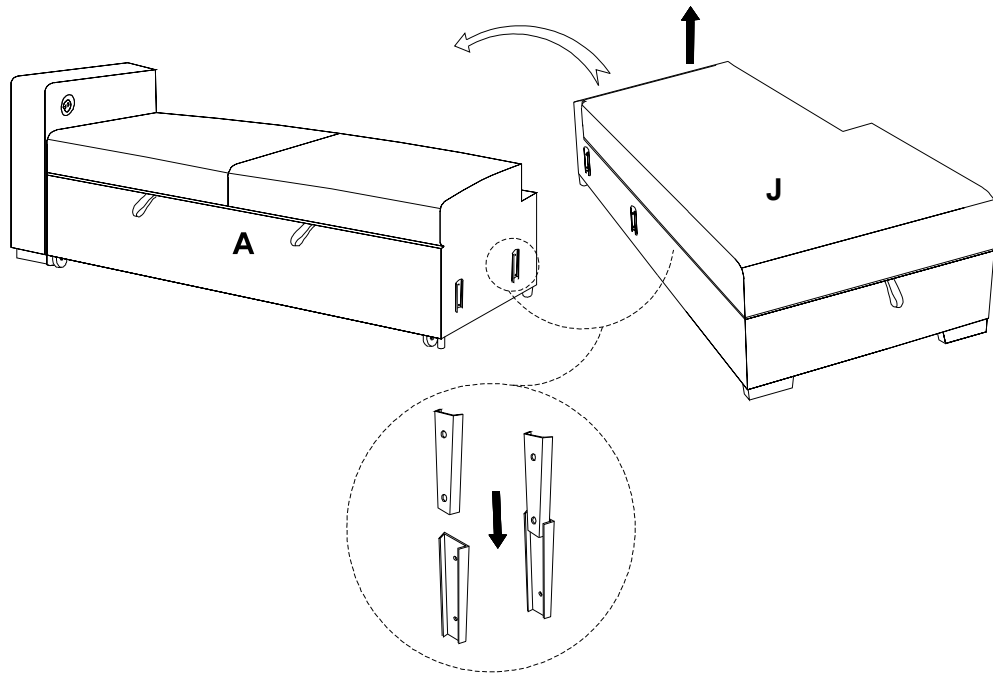
Step 6



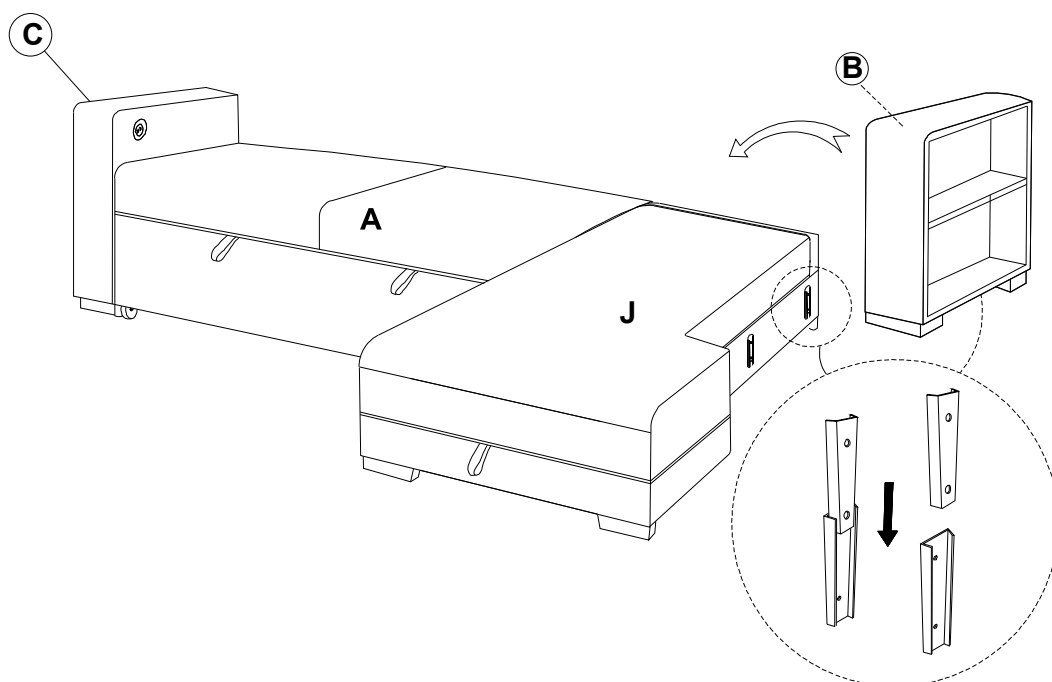
ASSEMBLY INSTRUCTION

ITEM NO: 9630BE/GY/BK-2L
9630BE/GY/BK-RC

Step 7



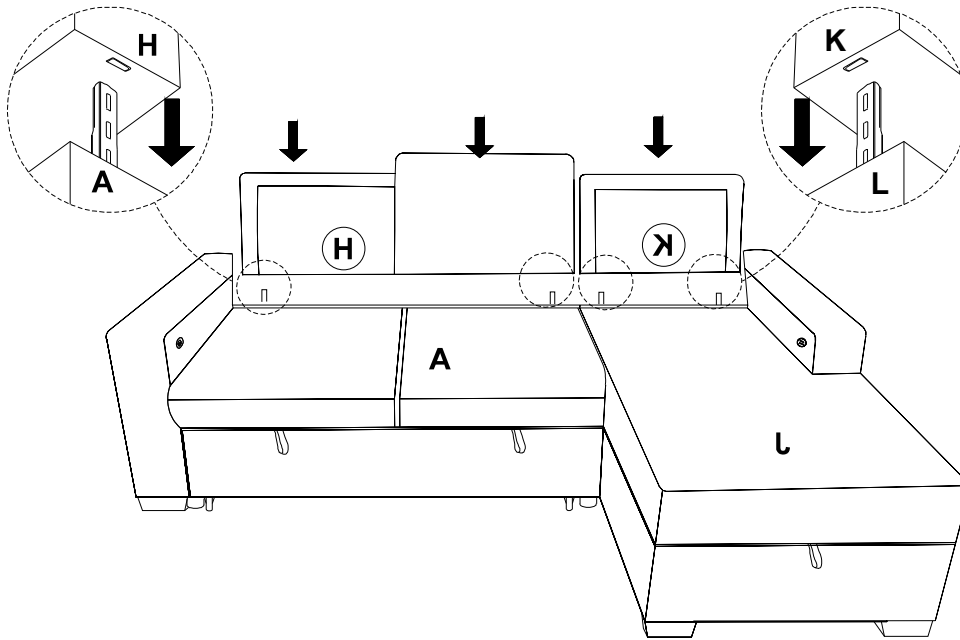
Step 8



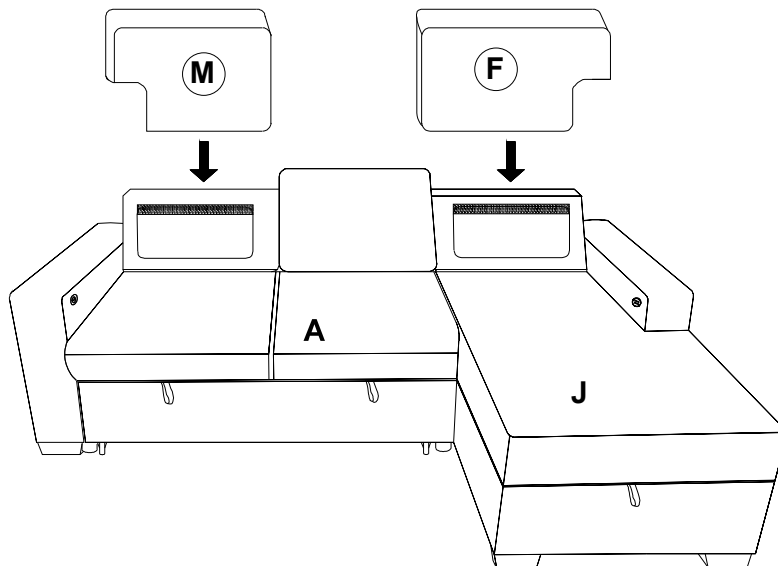
ASSEMBLY INSTRUCTION

ITEM NO: 9630BE/GY/BK-2L
9630BE/GY/BK-RC

Step 9



Step 10

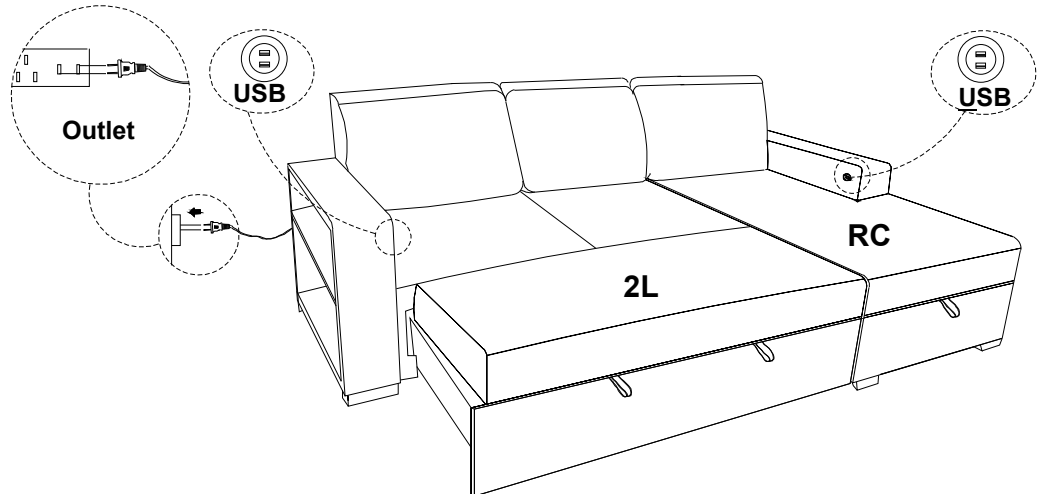


ASSEMBLY INSTRUCTION

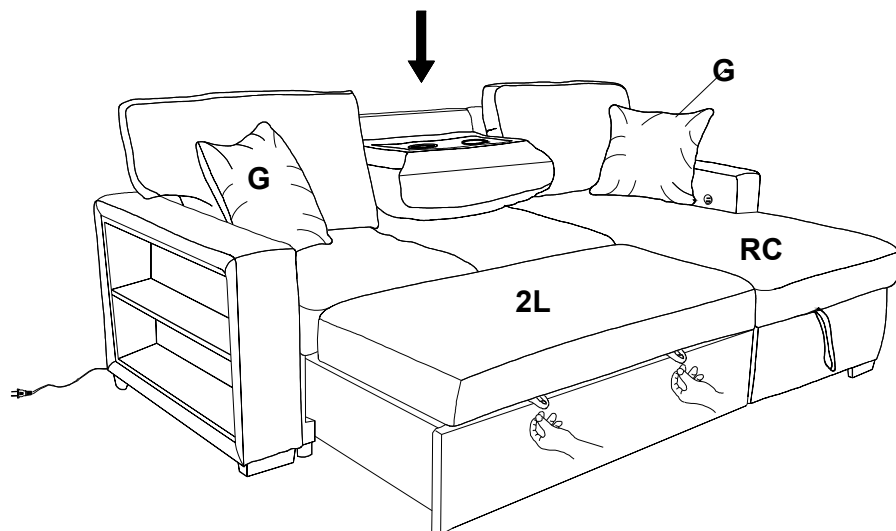
ITEM NO: 9630BE/GY/BK-2L

9630BE/GY/BK-RC

Step 11



Step 12



Care Instruction for Boucle Furniture:

In order to maintain the original appearance of your Boucle furniture, please follow below simple care proceures:

Avoid exposing furniture directly to sunlight or heating and air conditioning outlets.Sunlight and or exposure to heating and air conditioning outlets will fade/damage Boucle.

Vacuum or wipe with a soft cloth to remove dust.

Hardware may loosen over time. Periodically check to make sure all connection are tight, Re-tighten if necessary.



For item use on wooden floor,hard surfaces or carpets,it is recommended to install protective pads under all legs and supports to avoid/prevent from damages/scratches and discoloration.