



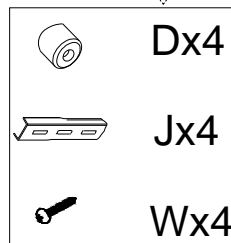
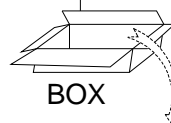
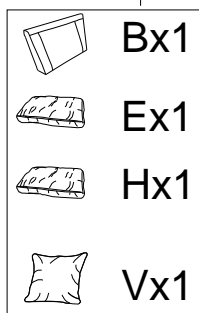
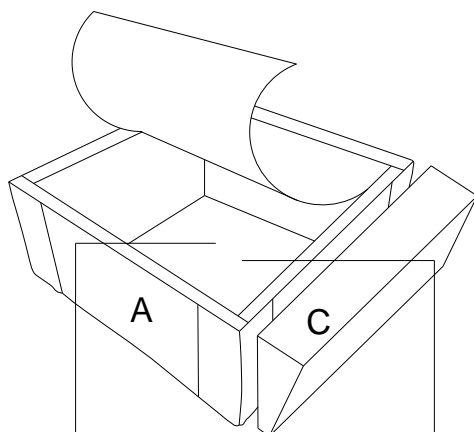
ASSEMBLY INSTRUCTIONS

ITEM NO:9630BE/GY/BK-CR
Corner Seat with 1 Pillow



Legs and hardware are stored in the box, please take out for assembly

NOTE: Do not use power tools for assembly. Power tools increase the risk of over tightening which lead to splitting or cracking the wood.



PART LIST

NO.	Description	Diagram	Quantity
A	SEAT		1
B	BACK REST (SHORT)		1
C	BACK REST (LONG)		1
D	ROUND PLASTIC LEG 50x50x50mm		4
E	BACK CUSHION (LEFT)		1
H	BACK CUSHION (RIGHT)		1
J	MALE BRACKET		4
V	PILLOW		1

HARDWARE LIST

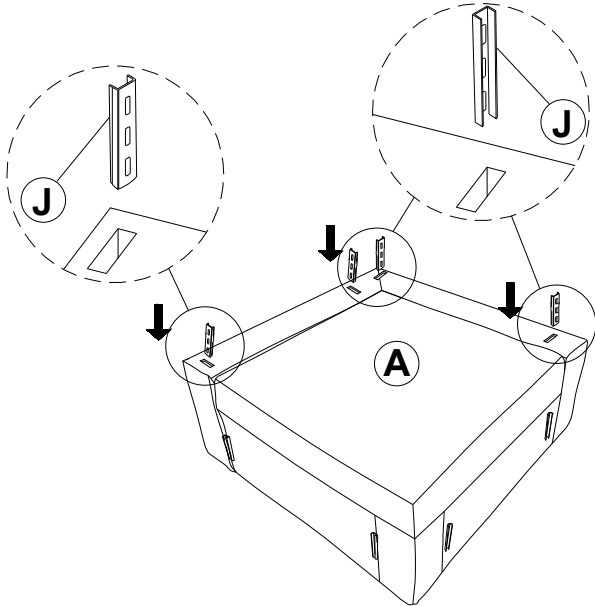
NO.	Description	Diagram	Size	Quantity
W	SCREW		Ø8x45mm	4

Not Included

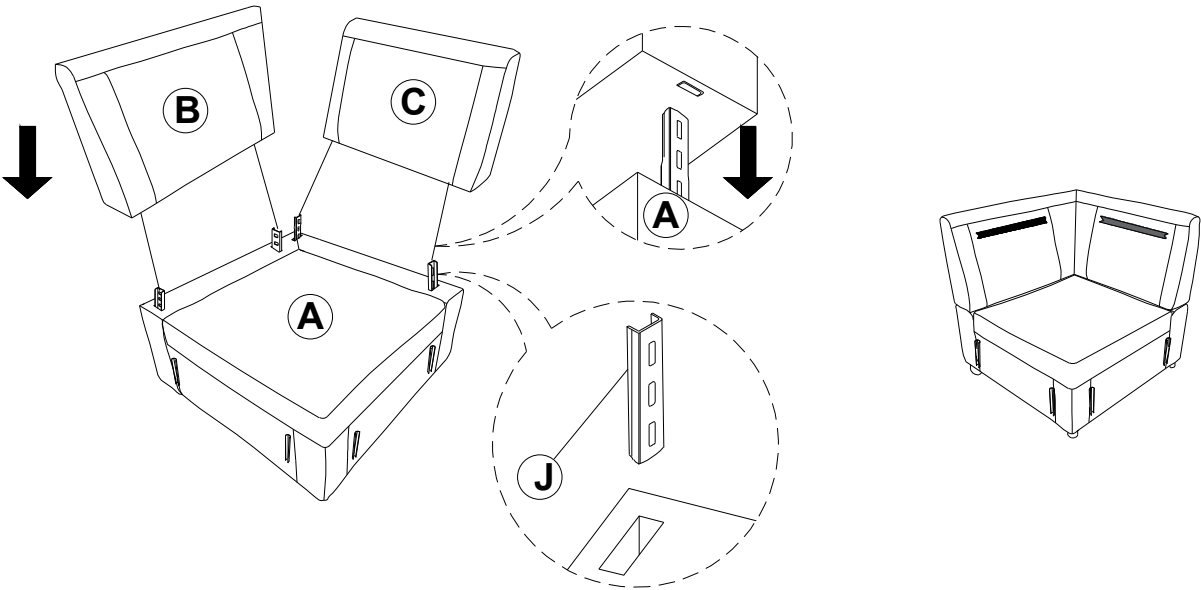
ASSEMBLY INSTRUCTIONS

ITEM NO:9630BE/GY/BK-CR
Corner Seat with 1 Pillows

Step 1:



Step 2:

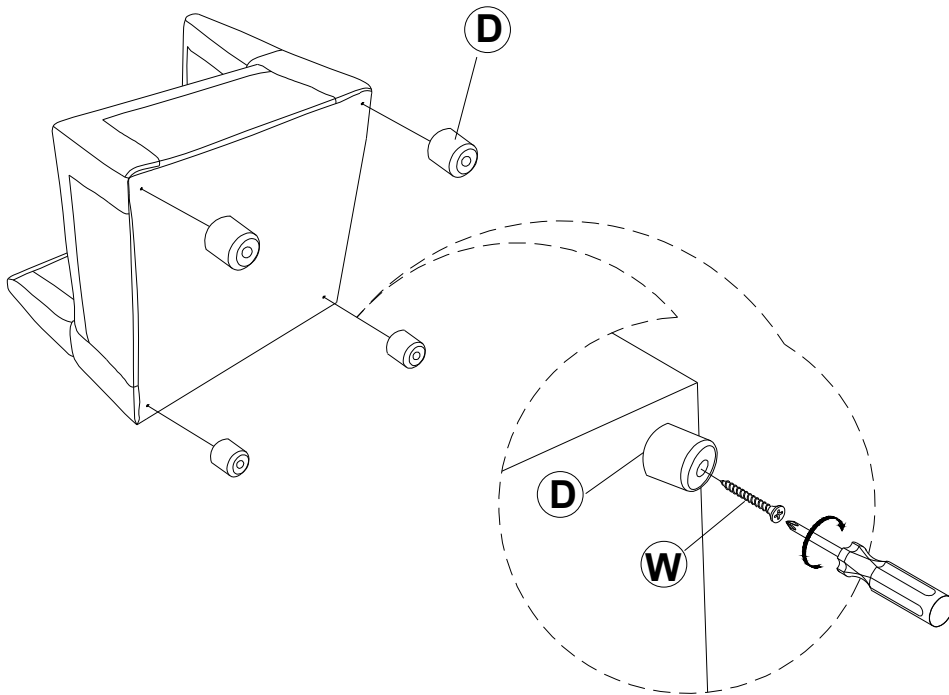


ASSEMBLY INSTRUCTIONS

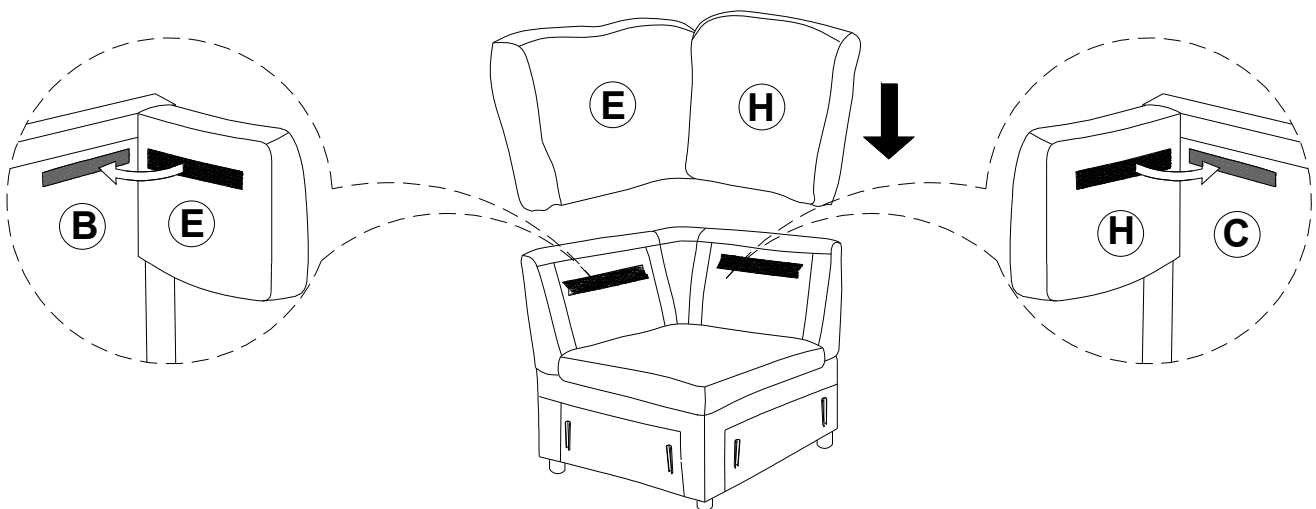
ITEM NO:9630BE/GY/BK-CR

Corner Seat with 1 Pillows

Step 3:



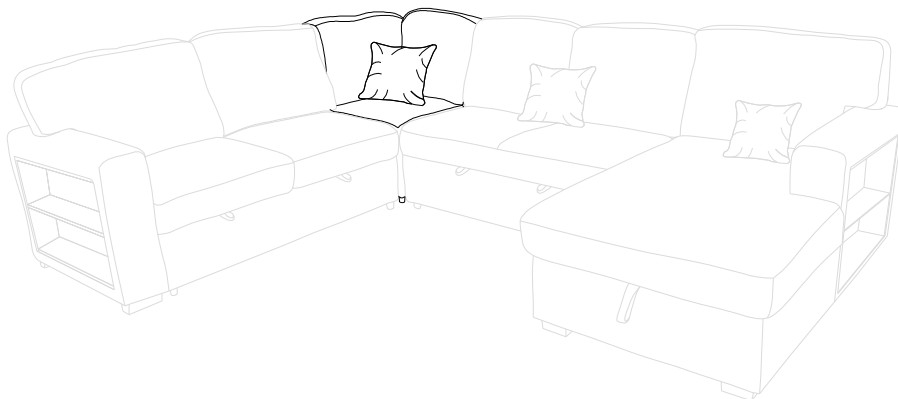
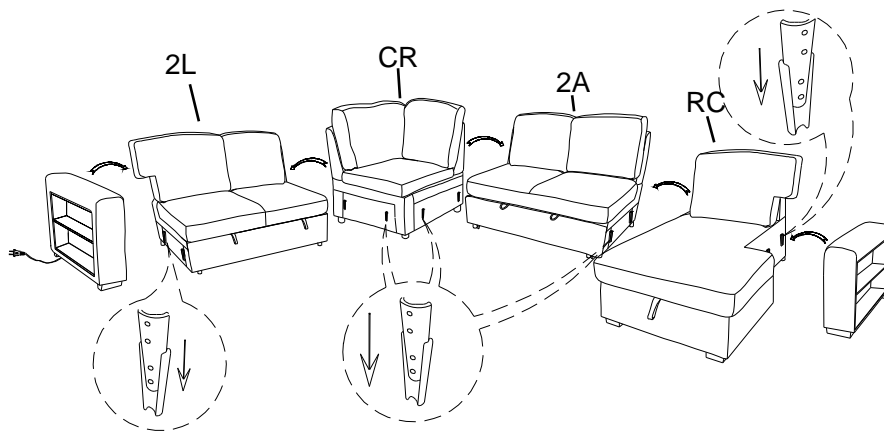
Step 4:



ASSEMBLY INSTRUCTIONS

ITEM NO:9630BE/GY/BK-CR

Corner Seat with 1 Pillows



Care Instruction for Boucle Furniture:

In order to maintain the original appearance of your Boucle furniture, please follow below simple care procedures:

Avoid exposing furniture directly to sunlight or heating and air conditioning outlets. Sunlight and or exposure to heating and air conditioning outlets will fade/damage Boucle.

Vacuum or wipe with a soft cloth to remove dust.

Hardware may loosen over time. Periodically check to make sure all connection are tight, Re-tighten if necessary.



For item use on wooden floor, hard surfaces or carpets, it is recommended to install protective pads under all legs and supports to avoid/prevent from damages/scratches and discoloration.