



# ASSEMBLY INSTRUCTIONS

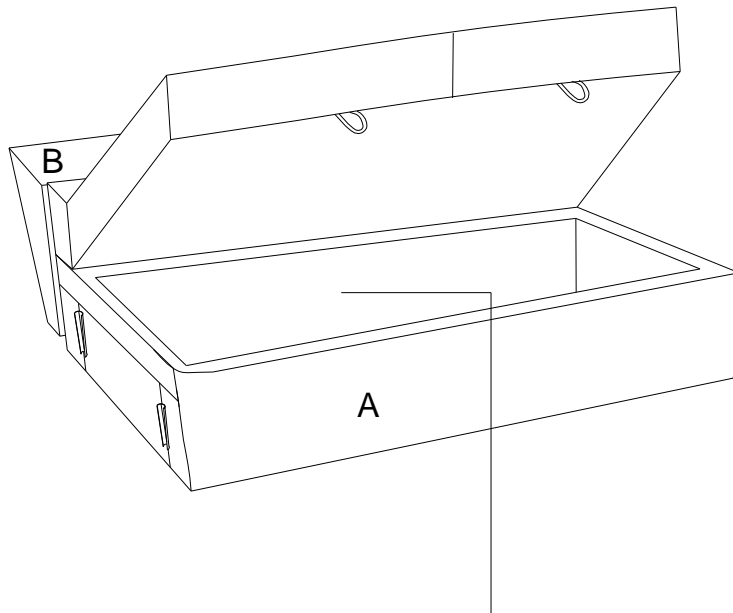
**ITEM NO:9630BE/GY/BK-2A**

**Armless 2-seater with Hidden Storage  
and Drop-down Cup Holders**



Legs and hardware are stored in the box, please take out for assembly

**NOTE:** Do not use power tools for assembly. Power tools increase the risk of over tightening which lead to splitting or cracking the wood.



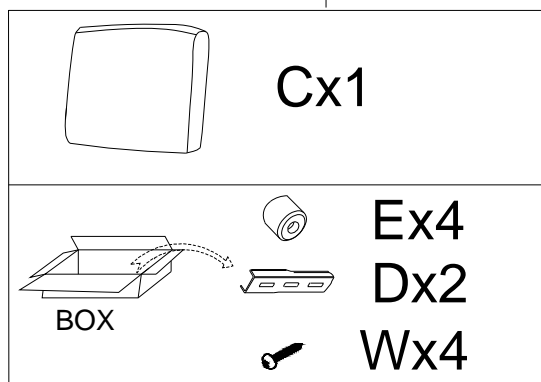
## PART LIST

NO.	Description	Diagram	Quantity
A	SEAT		1
B	BACK REST		1
C	BACK CUSHION		1
D	MALE BRACKET		2
E	ROUND PLASTIC LEG 50x50x50mm		4

## HARDWARE LIST

NO.	Description	Diagram	Size	Quantity
W	SCREW		Ø8x45mm	4

Not Included

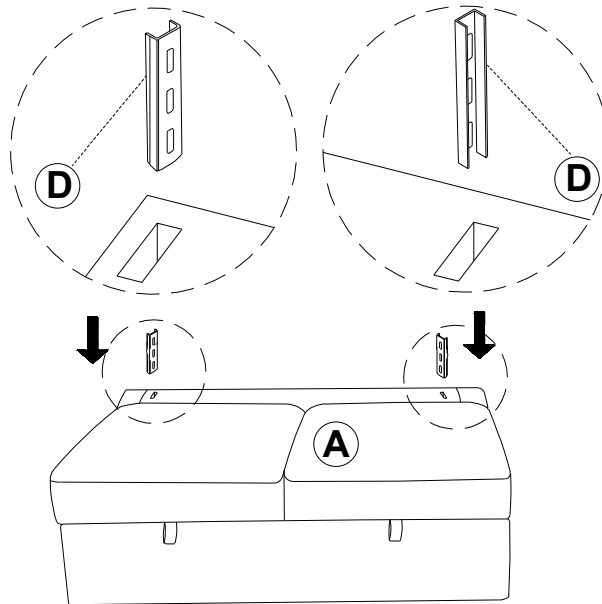


# ASSEMBLY INSTRUCTIONS

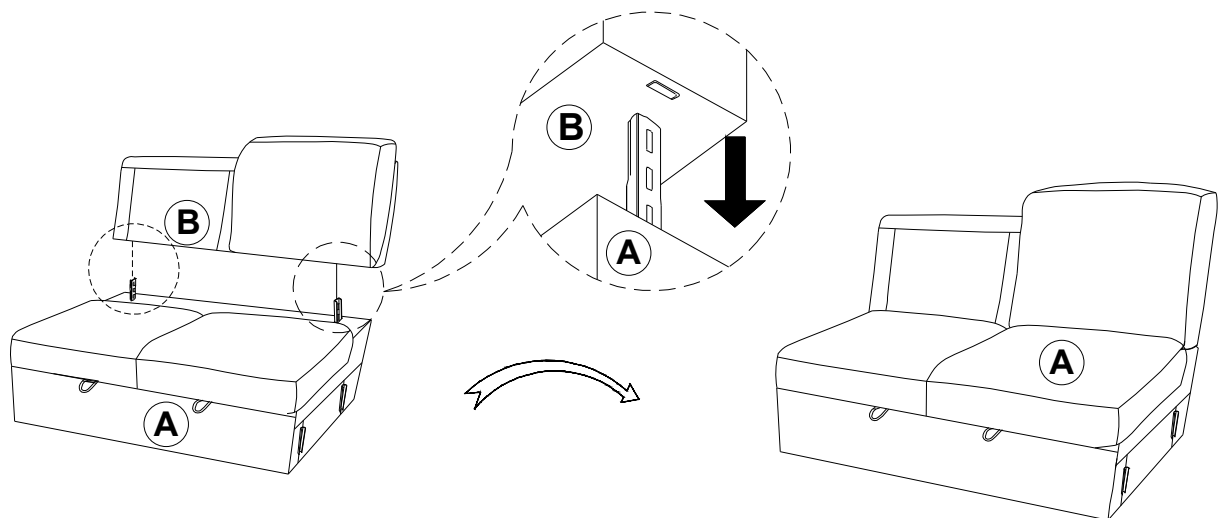
**ITEM NO:9630BE/GY/BK-2A**

**Armless 2-seater with Hidden Storage  
and Drop-down Cup Holders**

Step 1:



Step 2:

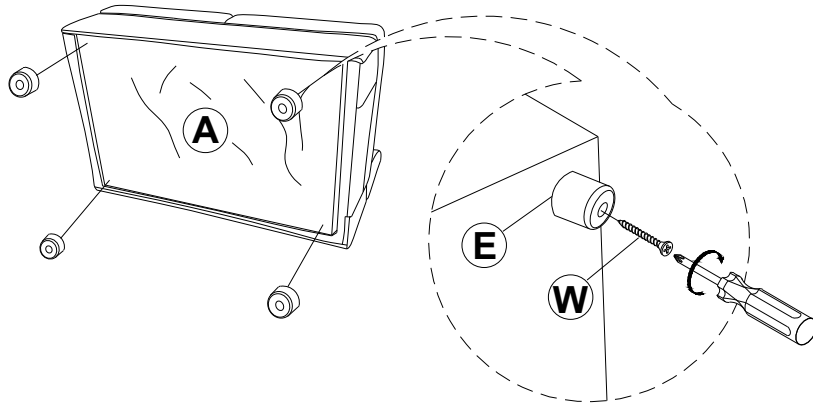


# ASSEMBLY INSTRUCTIONS

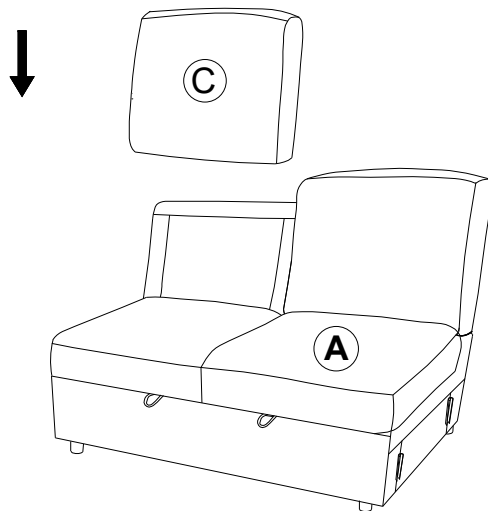
ITEM NO:9630BE/GY/BK-2A

Armless 2-seater with Hidden Storage  
and Drop-down Cup Holders

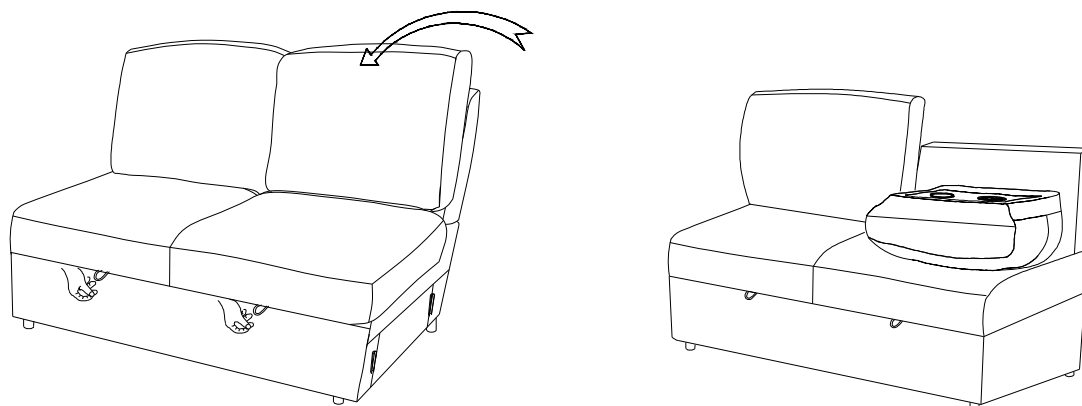
Step 3:



Step 4:



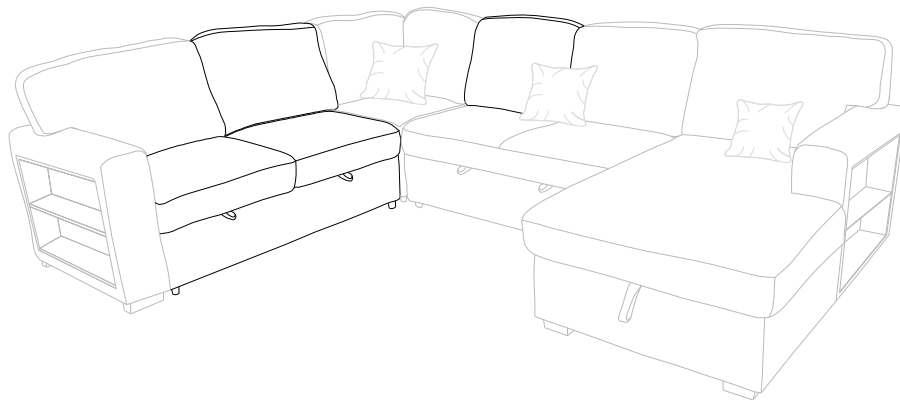
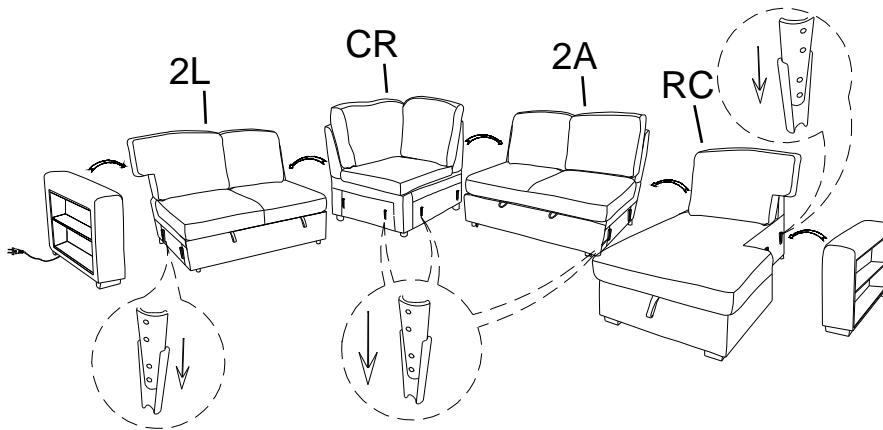
Step 5:



# ASSEMBLY INSTRUCTIONS

**ITEM NO:9630BE/GY/BK-2A**

**Armless 2-seater with Hidden Storage  
and Drop-down Cup Holders**



## **Care Instruction for Boucle Furniture:**

**In order to maintain the original appearance of your Boucle furniture, please follow below simple care procedures:**

**Avoid exposing furniture directly to sunlight or heating and air conditioning outlets. Sunlight and or exposure to heating and air conditioning outlets will fade/damage Boucle.**

**Vacuum or wipe with a soft cloth to remove dust.**

**Hardware may loosen over time. Periodically check to make sure all connection are tight, Re-tighten if necessary.**

**! For item use on wooden floor, hard surfaces or carpets, it is recommended to install protective pads under all legs and supports to avoid/prevent from damages/scratches and discoloration.**