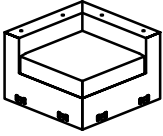
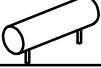









ASSEMBLY INSTRUCTION

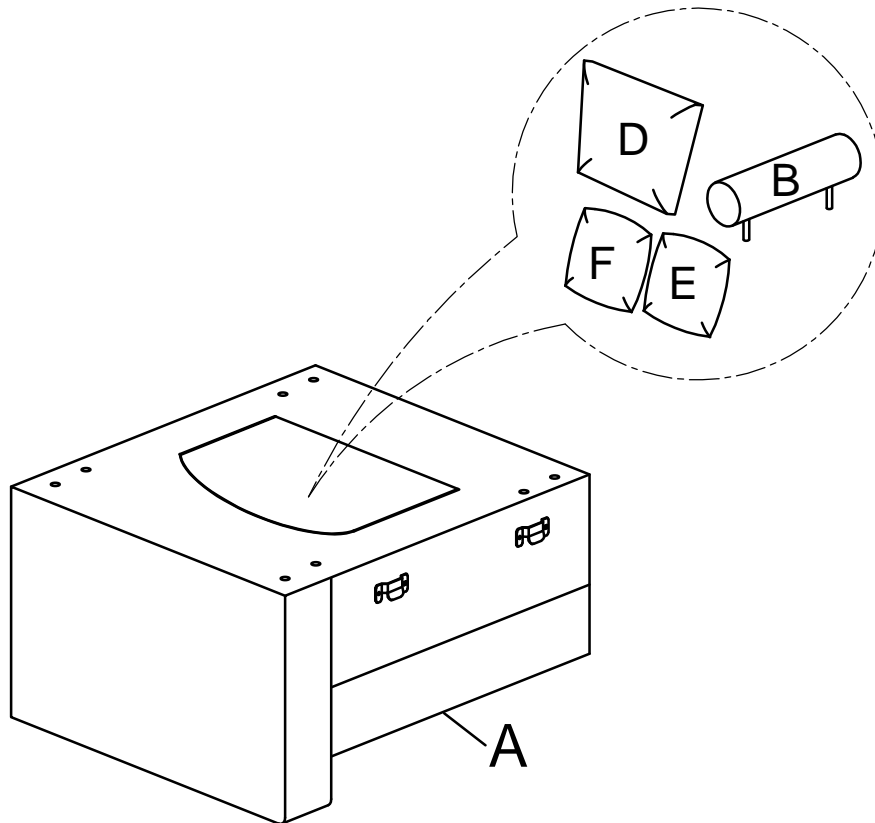
ITEM NO: 9624GY-CR/9624BU-CR Corner seat, 2 pillows

LEGS AND HARDWARE ARE STORED IN THE BOTTOM OF THE SEAT, PLEASE TAKE OUT FOR ASSEMBLY.

NO.	PARTS LIST	QTY	DESCRIPTION
A		1	SEAT FRAME
B		2	HEADREST
C		1	SMALL BACK CUSHION
D		1	BIG BACK CUSHION
E		1	PILLOW BLUE OR GRAY
F		1	PILLOW BLUE/WHITE GEOMETRIC OR GRAY/WHITE GEOMETRIC

NO.	HARDWARE LIST	QTY	DESCRIPTION
G		4	WOODEN LEGS
H	 M8*50mm	8	Allen Bolt
I	 M5*100*38mm	1	Allen key

STEP # 1:



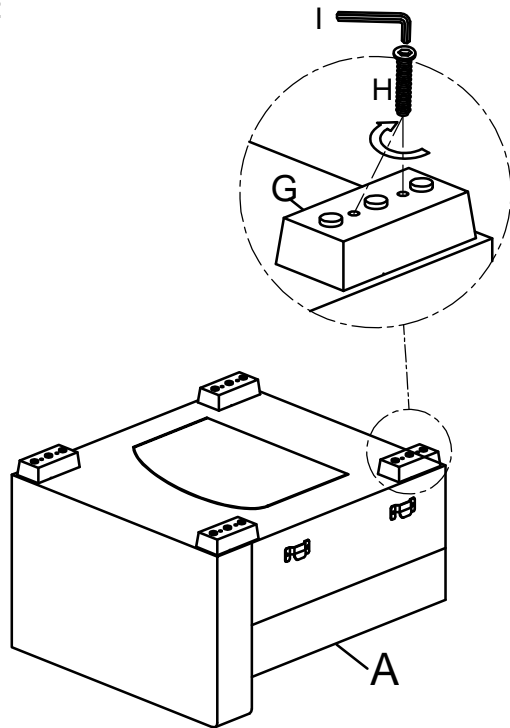


HOMELEGANCE

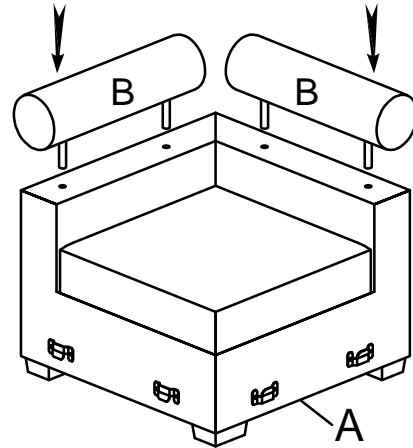
ASSEMBLY INSTRUCTION

ITEM NO: 9624GY-CR/9624BU-CR Corner seat, 2 pillows

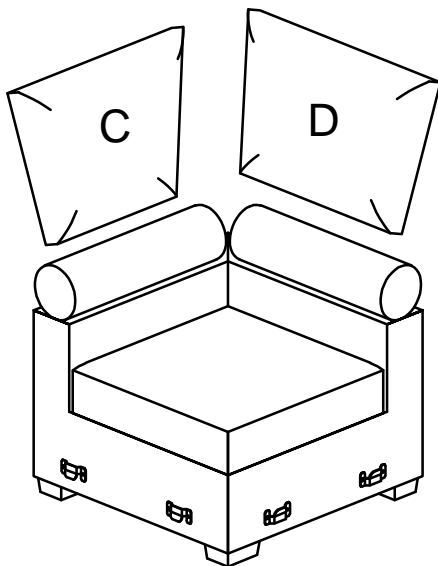
STEP # 2:



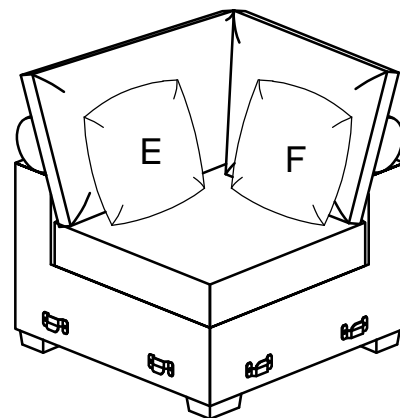
STEP # 3:



STEP # 4:



STEP # 5:



CARE INSTRUCTION FOR FABRIC FURNITURE

In order to maintain the original appearance of your fabric furniture, please follow below simple care procedures.

°Avoid exposing furniture directly to sunlight or heating and air conditioning outlets. Exposure to sunlight or heating and air conditioning outlets will fade/damage fabric.

°Wipe gently with a damp soft cloth to remove dust, dirt and any grime build up.