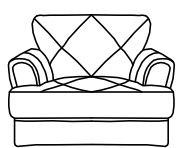
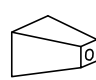
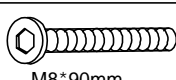



ASSEMBLY INSTRUCTION

ITEM NO: 9279BGY-1/9279CRM-1 CHAIR

LEGS AND HARDWARE ARE STORED IN THE BOTTOM OF THE SEAT, PLEASE TAKE OUT FOR ASSEMBLY.

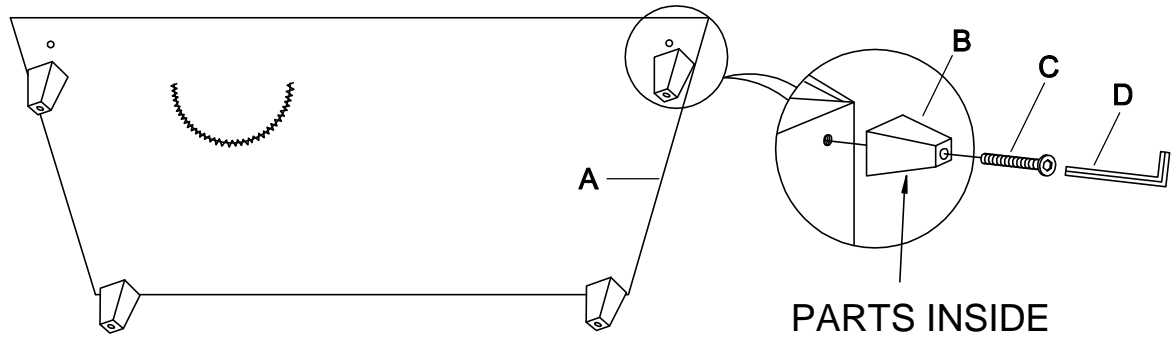
| NO. | PARTS LIST | QTY | DESCRIPTION |
|-----|---|-----|-------------|
| A |  | 1 | CHAIR |

| NO. | HARDWARE LIST | QTY | DESCRIPTION |
|-----|--|-----|-------------|
| B |  90mm*90mm*135mmH | 4 | WOODEN LEGS |
| C |  M8*90mm | 4 | BOLTS |
| D |  M5*100*38mm | 1 | ALLEN KEY |

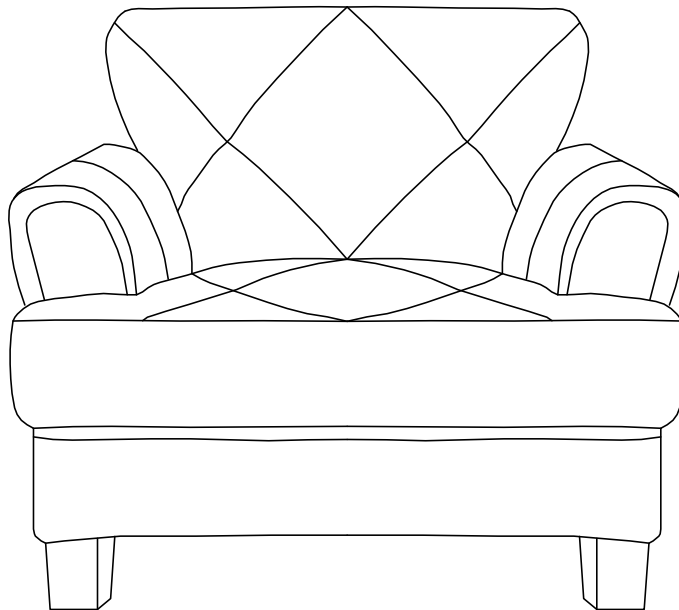
ASSEMBLY INSTRUCTION

ITEM NO: 9279BGY-1/9279CRM-1 CHAIR

STEP # 1



STEP # 2



CARE INSTRUCTION FOR LEATHER FURNITURE

In order to maintain the original appearance of your furniture, please follow below care procedures .

°Avoid exposing furniture directly to sunlight or heating and air conditioning outlets. sunlight and/ or exposure to heating and air conditioning outlets will fade/damage leather. Do not place your upholstered furniture too close to windows, radiators, vents and be sure to use window treatments to block the sun's rays

°Wipe with a soft brush to remove dust