




# ASSEMBLY INSTRUCTION

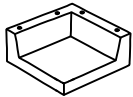

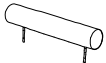
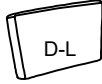


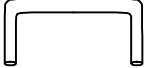
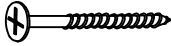

## ITEM NO :8555BE/GY- CR

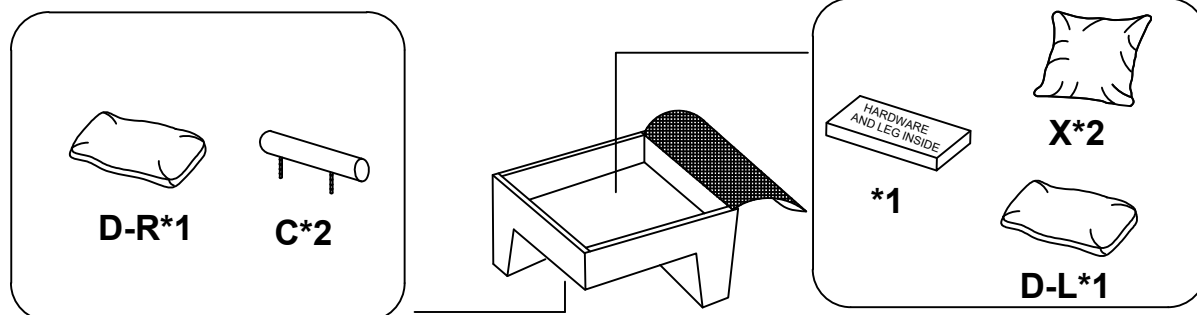
### Corner Seat

 Legs and hardware are stored in the box, please take out for assembly.

NOTE: Do not use power tools for assembly. Power tools increase the risk of over tightening which lead to splitting or cracking the wood.

#### CHAIR COMPONENT LIST

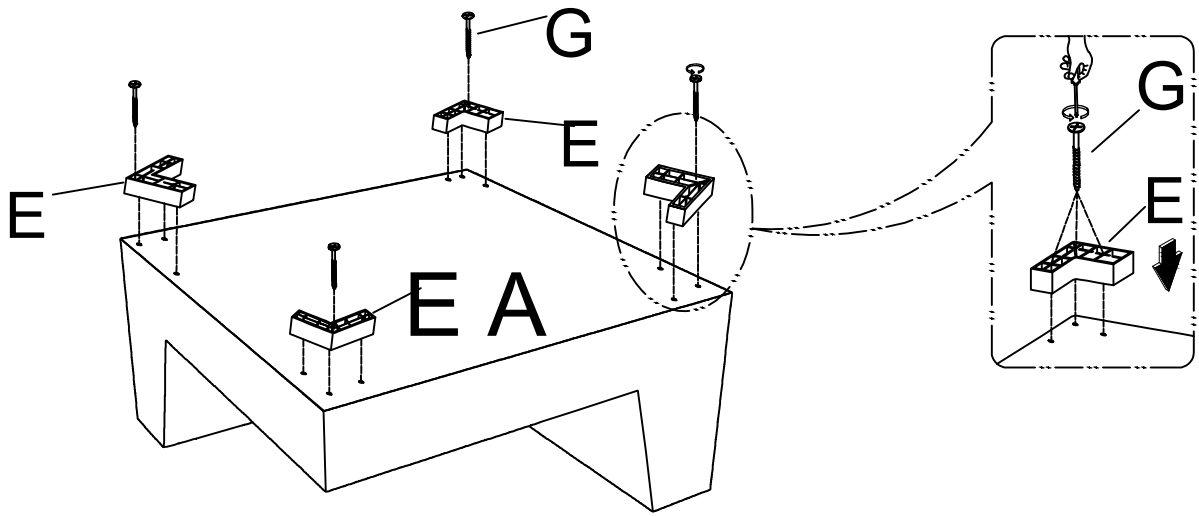
NO	DRAWING	QTY	DESCTIPTION
A		1	SEAT
B		1	SEAT CUSHION
C		2	HEADREST
D-L		1	L LSF BACK CUSHION
D-R		1	R RSF BACK CUSHION
E		4	PLASTIC LEG
F		2	CONNECTOR
G		12	SCREW #4X45MM
X		2	SQUARE PILLOW (DIM 20"x20")



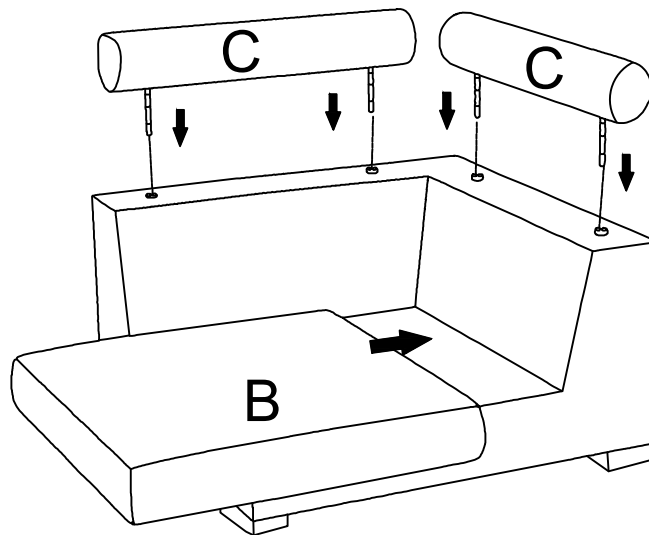
# ASSEMBLY INSTRUCTION

ITEM NO :8555BE/GY- CR

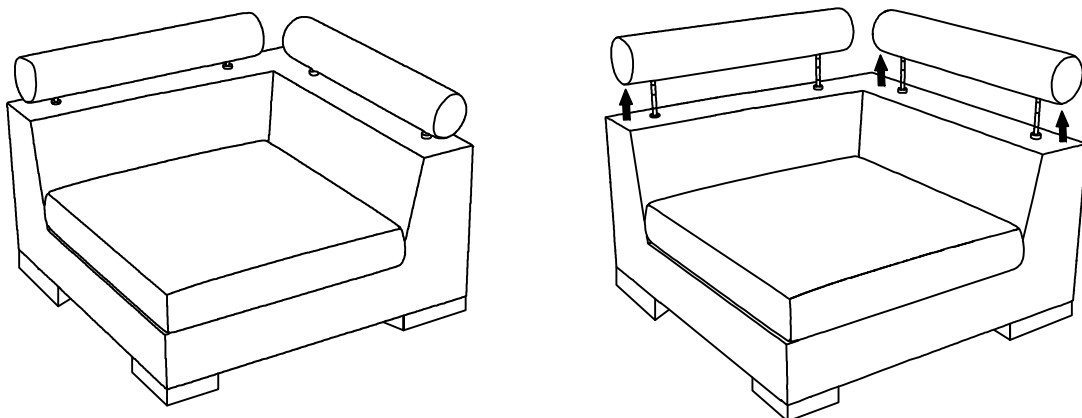
Step 1



Step 2

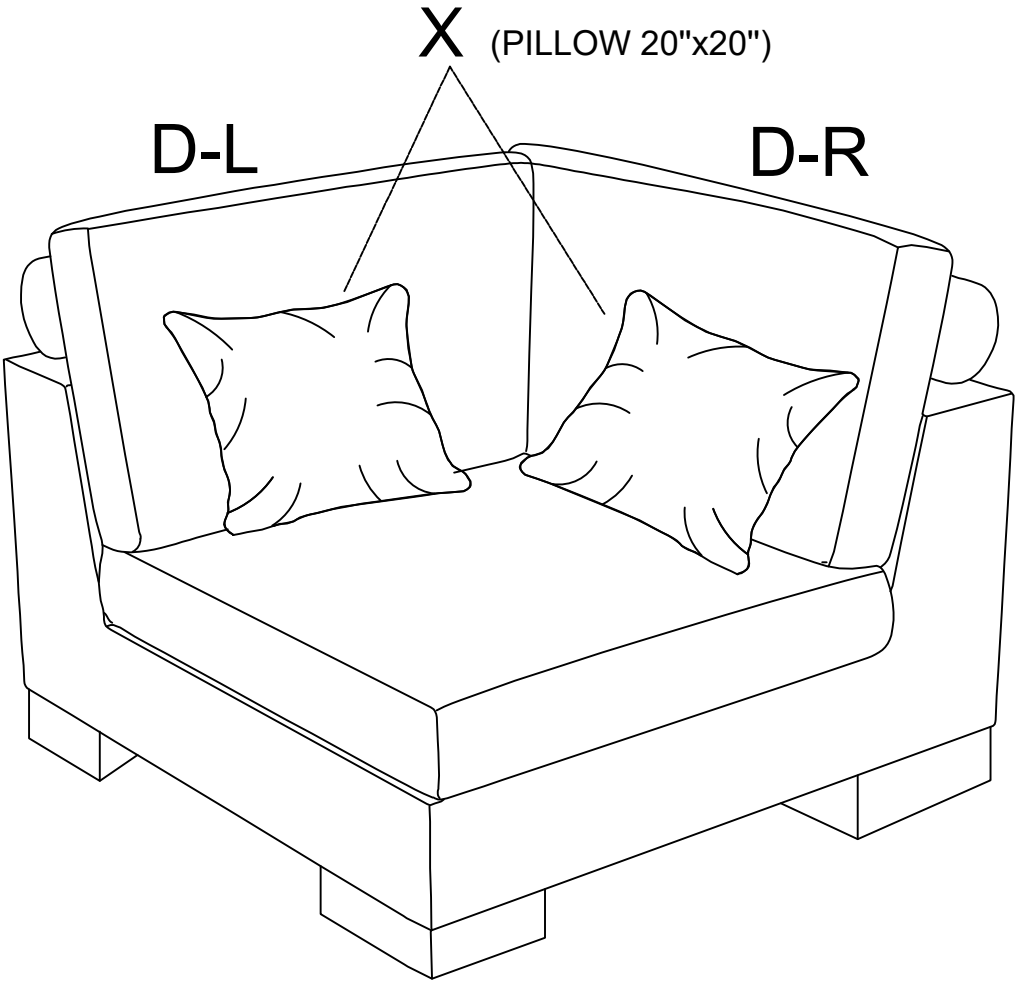


Step 3



# ASSEMBLY INSTRUCTION

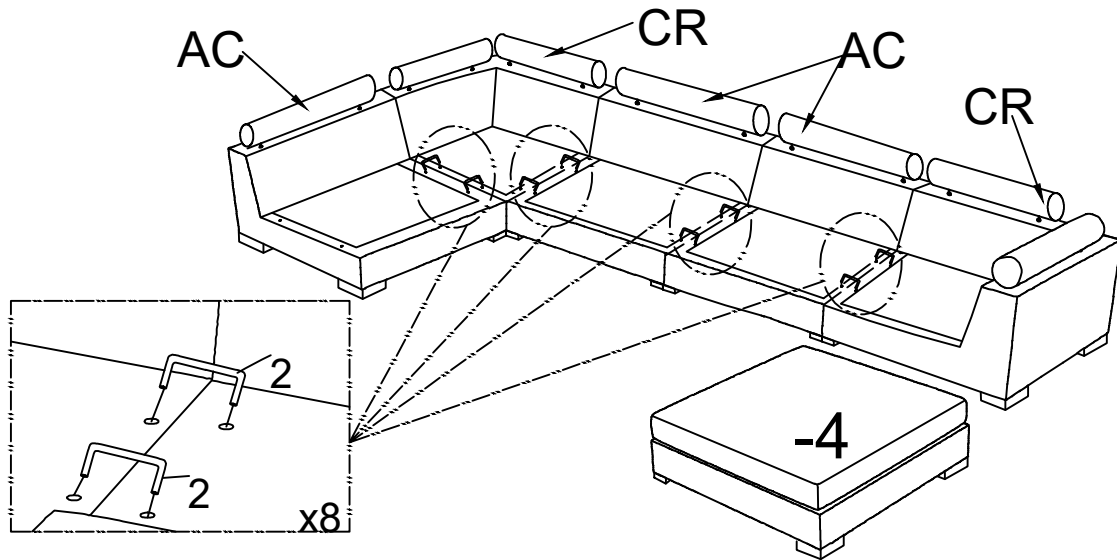
ITEM NO :8555BE/GY- CR



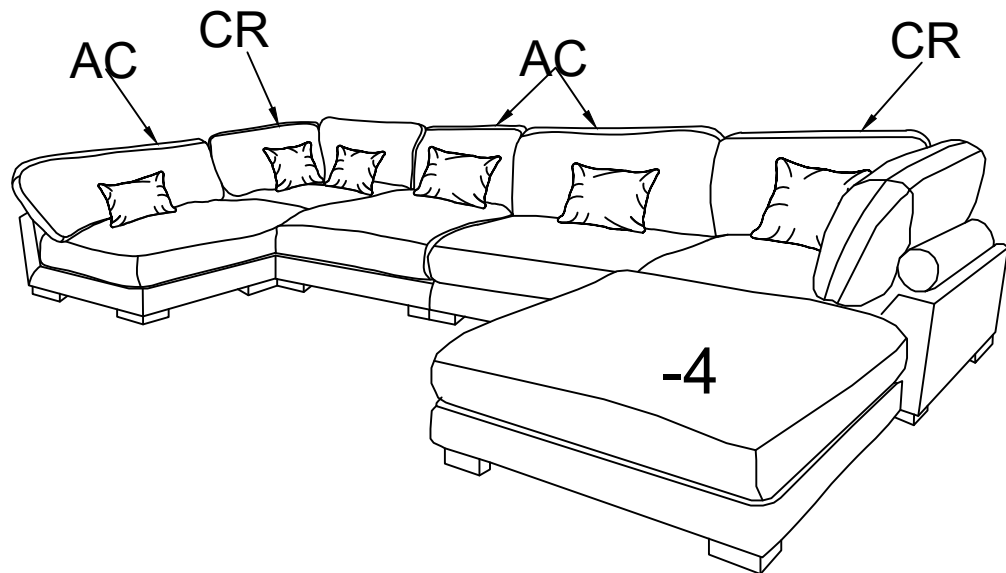
# ASSEMBLY INSTRUCTION

ITEM NO :8555BE/GY- CR

## STEP 1




## STEP 2



### CARE INSTRUCTIONS FOR CORDUROY UPHOLSTERY FURNITURE :

In order to maintain the original appearance of your corduroy furniture, please follow below care procedures:

- Avoid exposing furniture directly to sunlight or heating and air conditioning outlets. Sunlight and / or exposure to heating and air conditioning outlets will fade/damage corduroy. Do not place your upholstered furniture too close to windows, radiators, or vents, and be sure to use window treatments to block the sun's rays.
- Vacuum or wipe with a soft cloth regularly to remove dust.
- Hardware may loosen over time. Periodically check to make sure all connection are tight, Re-tighten if necessary.

 For items use on wooden floor, hard surfaces or carpets, it is recommended to install protective pads under all legs and supports to avoid/prevent from damages/scratches and discoloration.