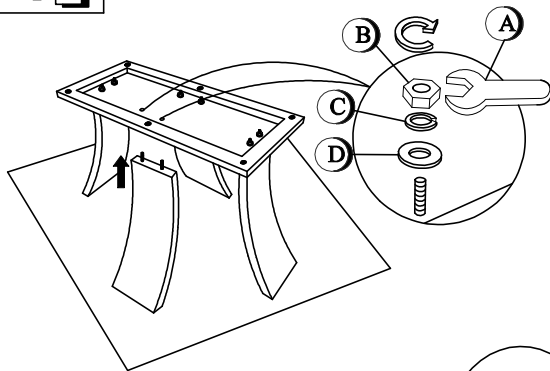




ASSEMBLY INSTRUCTION/ INSTRUCTION D'ASSEMBLAGE
ITEM NO: 710 -72B / 710-72C
DINING TABLE / TABLE DE SALLE À MANGER

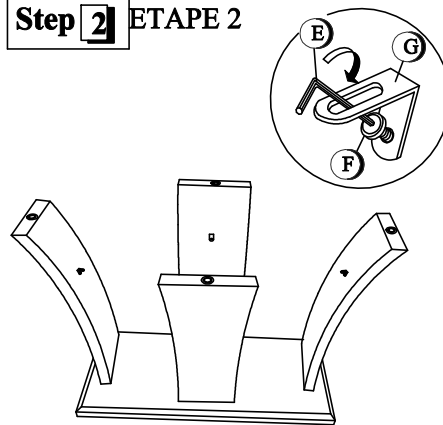
NO	Description	Drawing	Size	Q' ty
A	Wrench / Cle		Ø M17mm	1 pc
B	Hex Nut / Erou Hexagonal		Ø M10mm	8 pcs
C	Spring Washer / Rondelle D'arret		Ø M12mm	8 pcs
D	Flat Washer / Rondelle Plate		Ø M18mm	8 pcs
E	Allen Key / Cle Allen			1 pc
F	JCBC Bolt / Boulon		Ø M6mm	4 pcs
G	Bracket / Equerre			4 pcs
H	Cap nut (for shelf)		Ø M6mm	4 pcs

Step 1] ETAPE 1

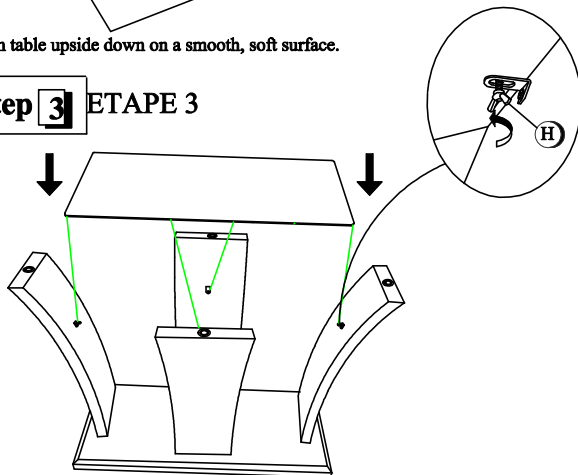


Turn table upside down on a smooth, soft surface.

Step 2] ETAPE 2



Step 3] ETAPE 3



Step 4] ETAPE 4

