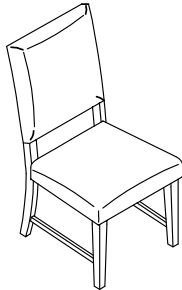




ASSEMBLY INSTRUCTION

ITEM NO : 5414S SIDE CHAIR



Thank you for purchasing this product. Please take time to read and follow the instructions below. Check that you have all parts and hardware before assembly. Parts apparently missing are often found in the packing materials. If you do not have all the parts listed, have your dealer contact us and they will be sent to you immediately.



It is recommended to install protective pads under all legs and supports to avoid damage or scratches when placing furniture on a wood floor or other hard surface, and to limit indentation and prevent discoloration if placing on carpet.



Hardware may loosen over time. Periodically check to make sure all connections are tight. Re-tighten if necessary.

PARTS LIST

No	Sketch	Description	Quantity
1		Chair back	1PC
2		Seat	1PC
3		Front Legs (L=1pc, R=1pc)	2PCS
4		Side Stretcher (L=1pc, R=1pc)	2PCS

HARDWARE LIST

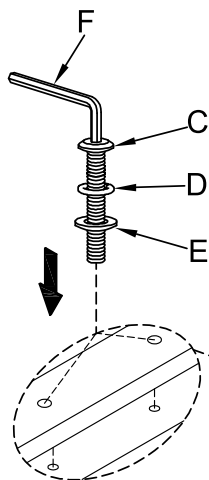
No	Description	Size	Sketch	Quantity
A	Bolt	Ø1/4" - 20 x 3"		4PCS
B	Bolt	Ø1/4" - 20 x 2-3/8"		4PCS
C	Bolt	Ø1/4" - 20 x 1-5/8"		2PCS
D	Lock Washer	1/4" x 17/64" x 25/64" x 1/16"		10PCS
E	Flat Washer	1/4" x 17/64" x 3/4" x 5/16"		10PCS
F	Allen Wrench	1/6"		1PC
G	Screw	#4 - 40 x 1-1/2"		4PCS

** ABOVE HARDWARE ARE PACKED IN 5414S FOR ASSEMBLY.

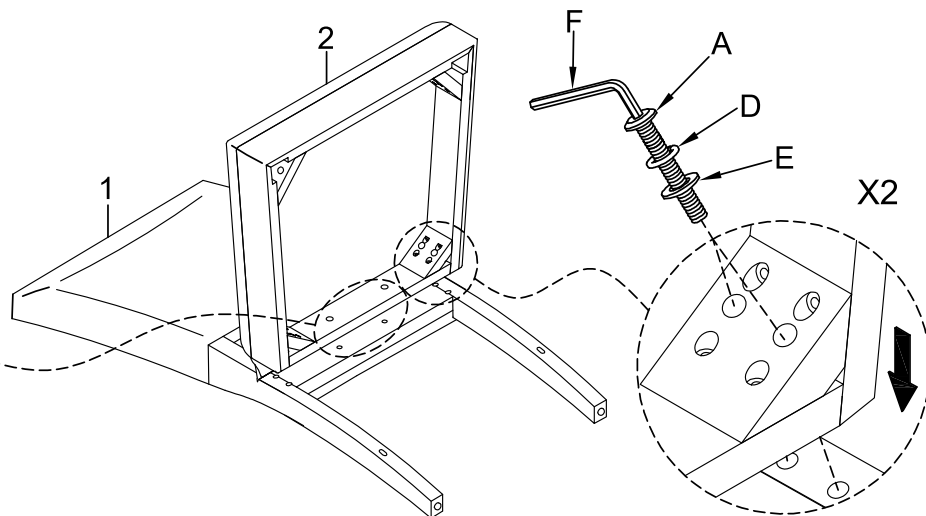
** SCREW DRIVER (NOT PROVIDED)



STEP 1



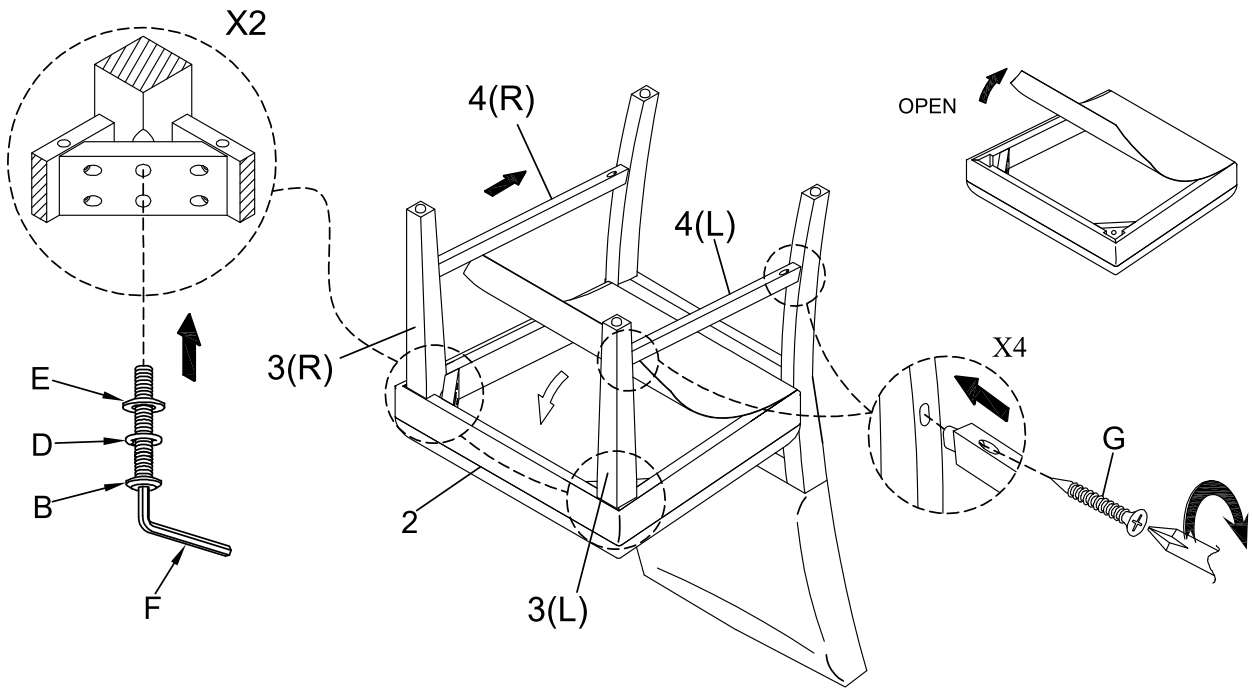
STEP 2



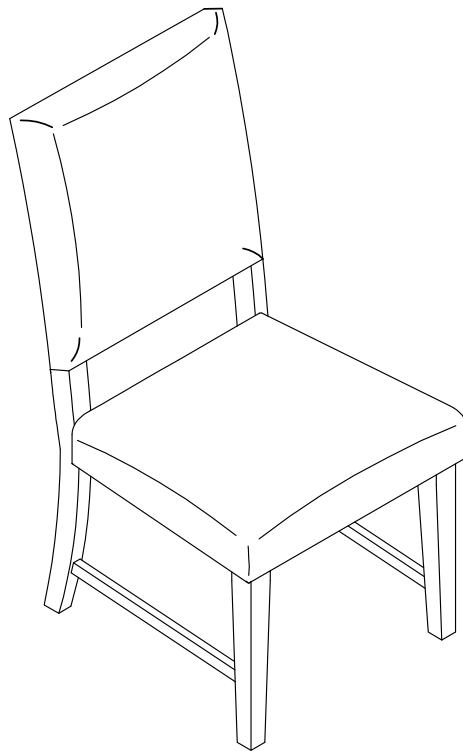
DO NOT TIGHTEN SCREWS AND BOLTS UNTIL COMPLETELY ASSEMBLED.
MADE IN VIETNAM

STEP 2

Note: Legs are packed in the small box and stored in the bottom of seat cushion, please open the black cloth and take out for assembly.



COMPLETED



DO NOT TIGHTEN SCREWS AND BOLTS UNTIL COMPLETELY ASSEMBLED.
MADE IN VIETNAM