



# ASSEMBLY INSTRUCTION

## 4983MBK-NT DAYBED WITH TRUNDLE

### HOMELEGANCE

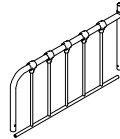
#### PART LIST:



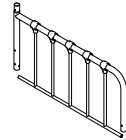
A: Arm Post  
2PCS



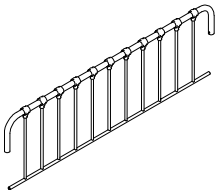
B: Arm Post  
2PCS



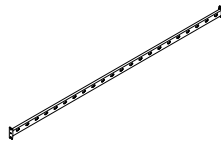
C: LSF Arm  
1PC



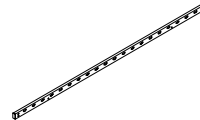
D: RSF Arm  
1PC



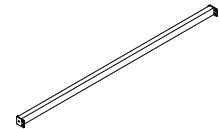
E: Back Frame  
1PC



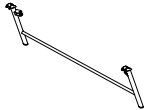
F: Rail  
2PCS



G: Trundle Long  
Rail  
2PCS



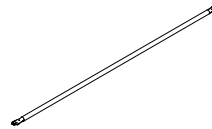
H: Trundle Short  
Rail  
2PCS



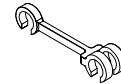
I: Legs  
2PCS



J: Wheel  
4PCS



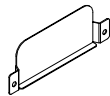
K: Slat  
42PCS  
(Daybed: 22pcs, Trundle: 20pcs)



L: Spacer  
40PCS  
(Daybed: 21pcs, Trundle: 19pcs)



M: Slat Connector  
84PCS



N: Bracket  
4PCS

#### HARDWARE LIST:



1: Bolt 5/16\*40mm  
X 4pcs



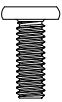
2: Bolt 1/4\*55mm  
X 6pcs



3: Bolt 1/4\*19mm  
X 22pcs



4: Bolt 5/16\*19mm  
X 8pcs



5: Bolt 5/16\*34mm  
X 4pcs



6: Nut 5/16  
X 8pcs



7: Allen Key  
X 1pc

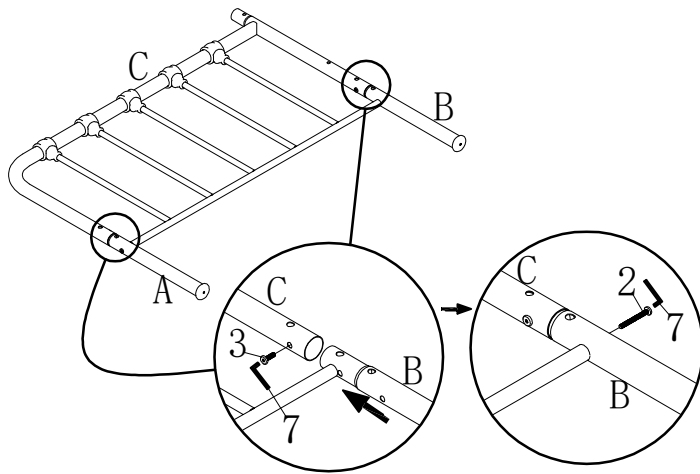


8: Wrench  
X 1pc

Note: Please do not tighten all bolts until the bed is assembled completely.

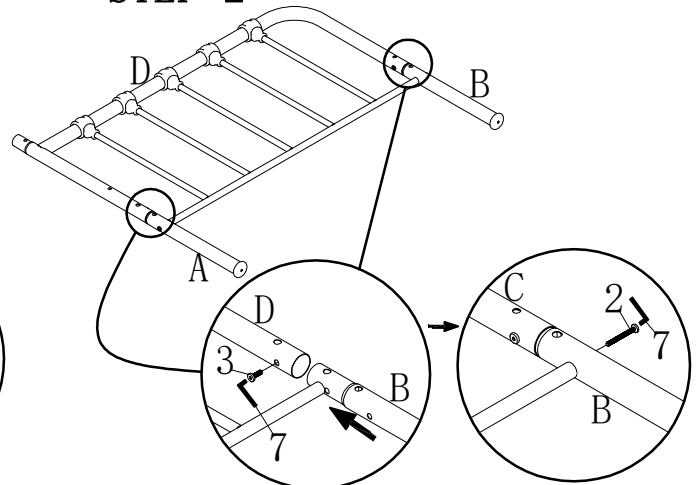
### DAYBED ASSEMBLY

#### STEP 1



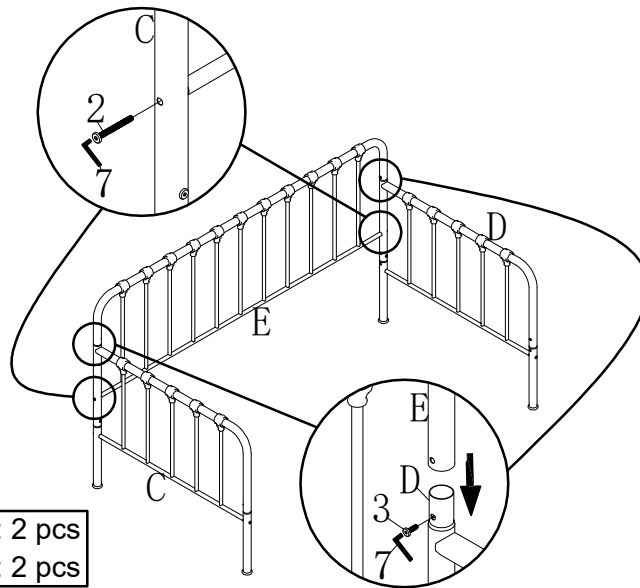
Hardware 2: 2 pcs  
Hardware 3: 2 pcs

#### STEP 2



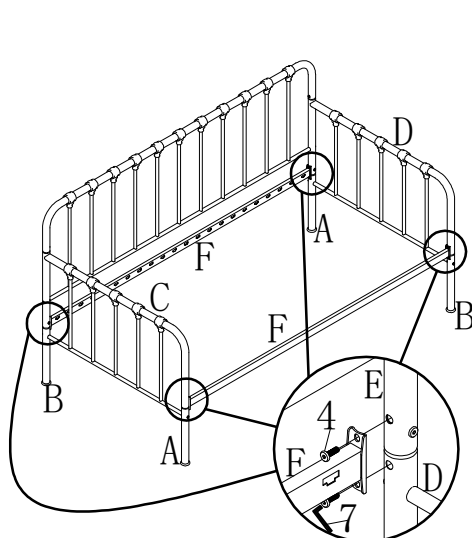
Hardware 2: 2 pcs  
Hardware 3: 2 pcs

#### STEP 3



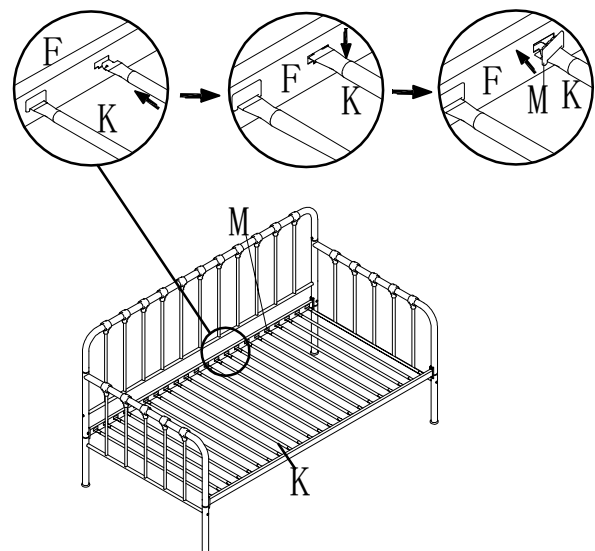
Hardware 2: 2 pcs  
Hardware 3: 2 pcs

#### STEP 4



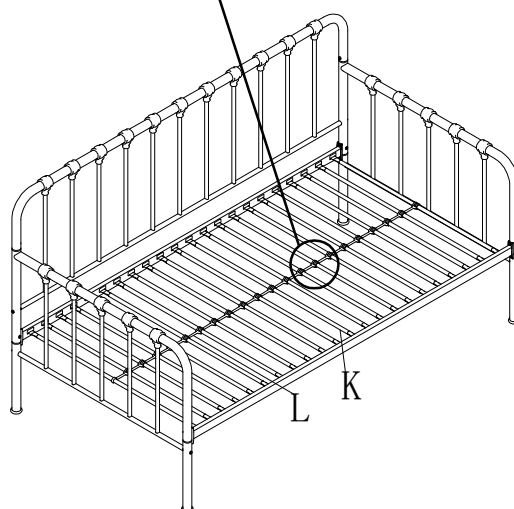
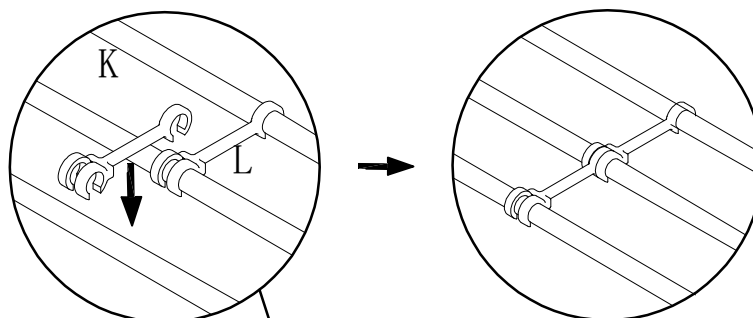
Hardware 4: 8 pcs

#### STEP 5

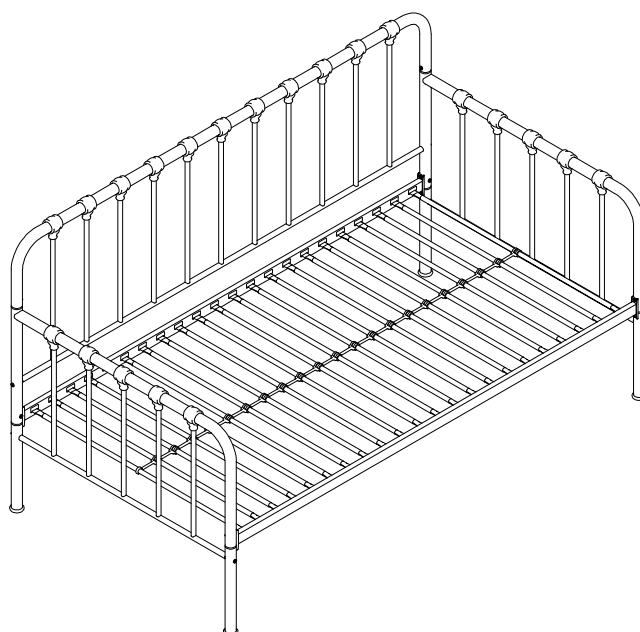


Note: Please do not tighten all bolts until the bed is assembled completely.

STEP 6



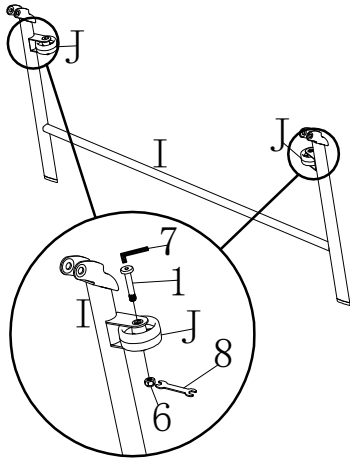
DAYBED COMPLETED



Note: Please do not tighten all bolts until the bed is assembled completely.

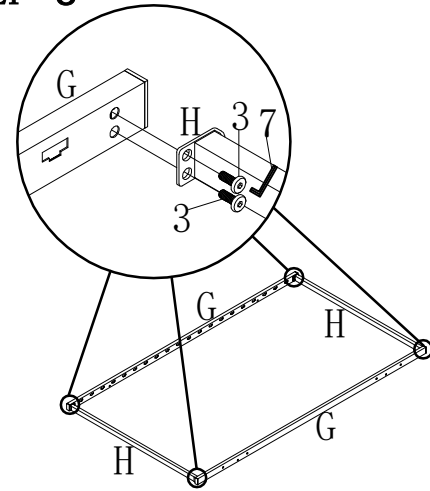
### TRUNDLE ASSEMBLY

#### STEP 7



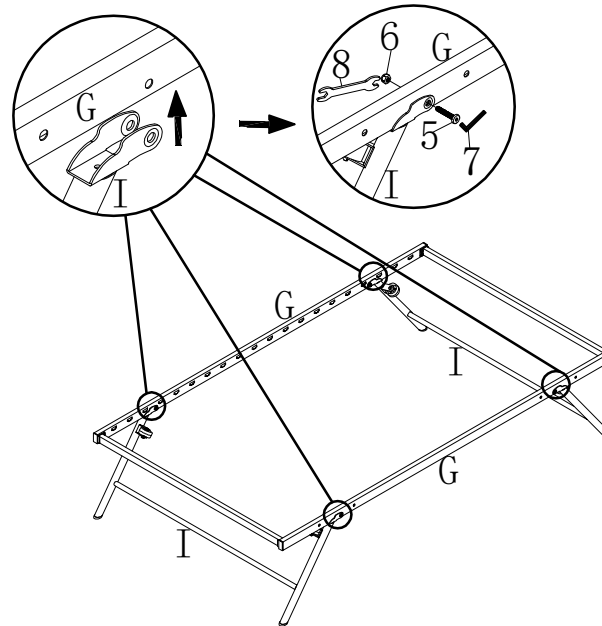
Hardware 1: 4 pcs  
Hardware 6: 4 pcs

#### STEP 8



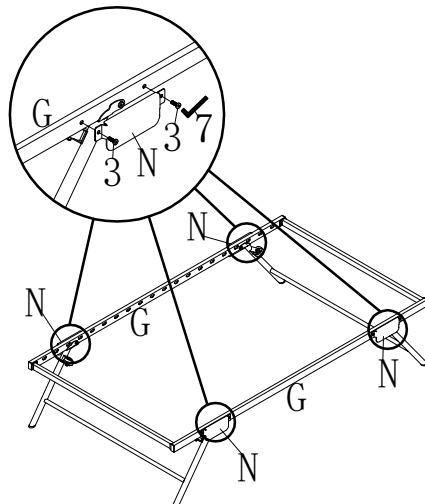
Hardware 3: 8 pcs

#### STEP 9



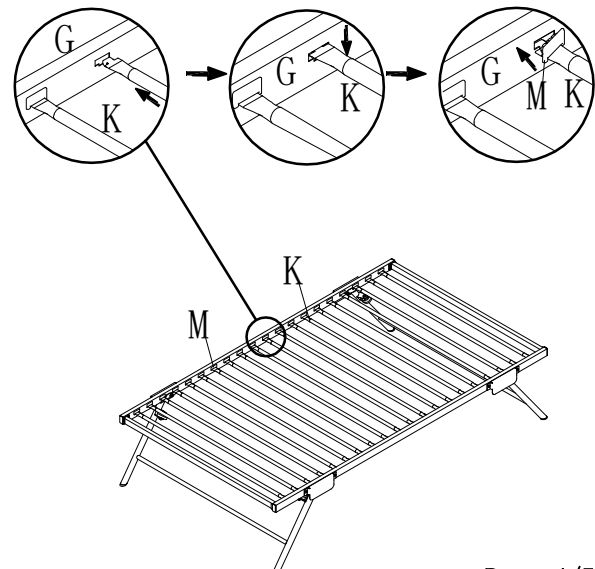
Hardware 5: 4 pcs  
Hardware 6: 4 pcs

#### STEP 10



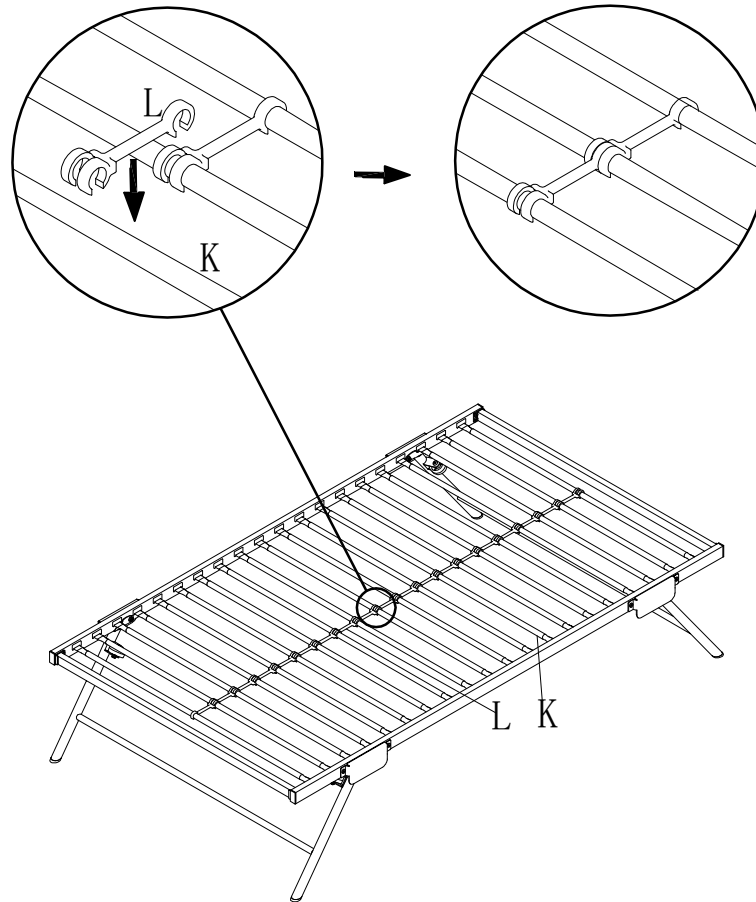
Hardware 3: 8 pcs

#### STEP 11



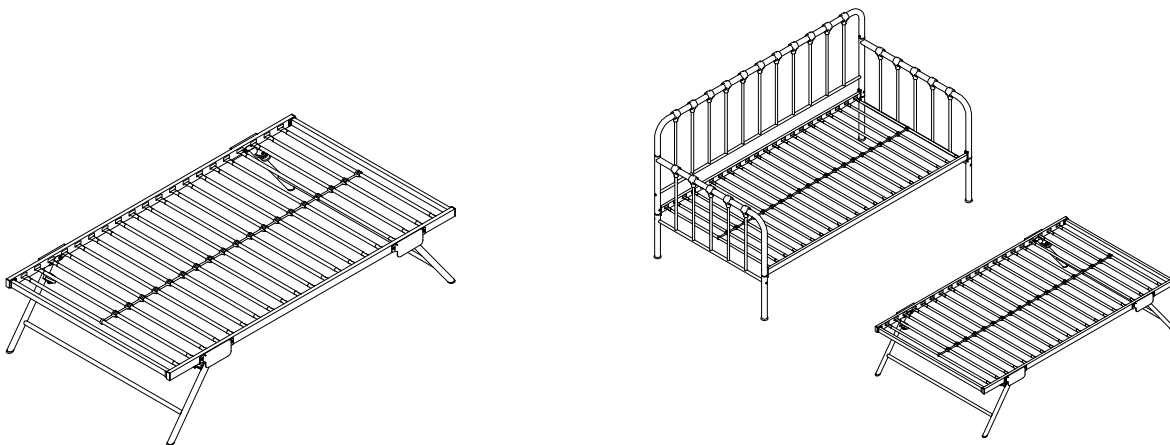
Note: Please do not tighten all bolts until the bed is assembled completely.

STEP 12



TRUNDLE COMPLETED

COMPLETED



For items use on wooden floor, hard surfaces or carpets, it is recommended to Install protective pads under all legs and supports to avoid/prevent from damages/scratches and discoloration.