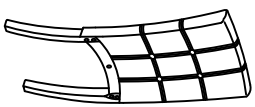


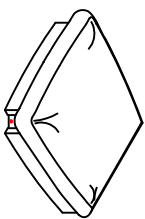
# ASSEMBLY INSTRUCTION

## 2456S SIDE CHAIR

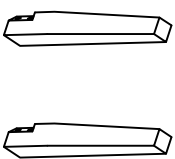
PART LIST:








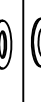
Back 1pc



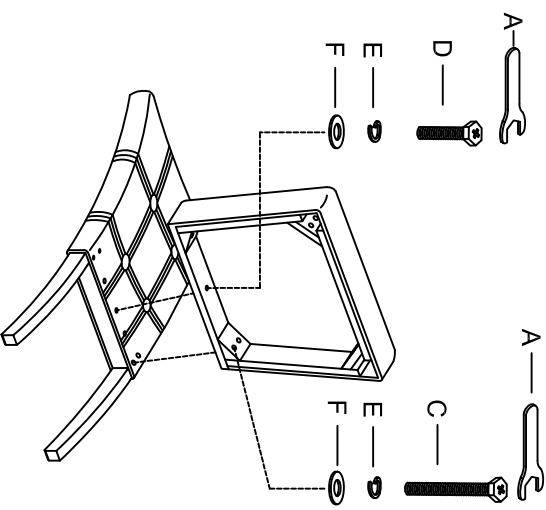
Seat 1pc



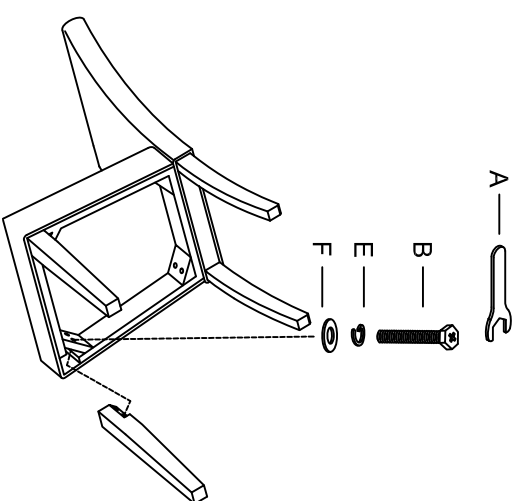
Front leg  
2pcs

HARDWARE LIST				
A		L-ALLEN KEY	4mm	1 PC
B		Bolt	Ø5/16"x2-1/4"	4 PCS
C		Bolt	Ø5/16"x3"	4 PCS
D		Bolt	Ø5/16"x1-1/2"	1 PCS
E		Spring Washer	Ø5/16"	9 PCS
F		Flat Washer	Ø5/16"xØ19mm	9 PCS

**STEP 1**



**STEP 2**



**COMPLETED**

