



ASSEMBLY INSTRUCTIONS / INSTRUCTION D'ASSEMBLAGE

1957-1 Queen Headboard & Footboard/Tête et Pieds de Lit
1957-3 Queen Side Rail with Concealed Panels & Slats / Longérons
1957-DW DW Drawer For Footboard/ Tiroirs

Thank you for purchasing this product. Please take time to read and follow the instructions below. Check that you have all parts and hardware before assembly. Parts apparently missing are often found in the packing materials. If you do not have all the parts listed, have your dealer contact us and they will be sent to you immediately.



It is recommended to install protective pads under all legs and supports to avoid damage or scratches when placing furniture on a wood floor or other hard surface, and to limit indentation and prevent discoloration if placing on carpet.

Merci d'avoir acheté ce produit de qualité. Vérifiez avant le montage que vous avez toutes les pièces et fixations. Les pièces qui semblent manquer se trouvent souvent dans les matériaux d'emballage. Si vous n'avez pas toutes les pièces de la liste, demandez à votre détaillant et nous vous les enverrons immédiatement.



Il est recommandé de placer des coussins protecteurs sous tous les pieds et toutes les bases des meubles pour éviter d'endommager ou d'égratigner les planchers en bois ou autres surfaces dures, et pour limiter l'empreinte et empêcher la décoloration quand les meubles reposent sur la moquette.

PART LIST/ LISTE DE PIECE			
NO	COMPONENT	SKETCH	QTY
A	HEADBOARD PANEL / TETE DE LIT		1 PC
B	FOOTBOARD / PIED DE LIT		1 PC
C	HEADBOARD LEG (LEFT) / PIED		1 PC
D	HEADBOARD LEG (RIGHT) / PIED		1 PC
E	SIDE RAIL / LONGERONS		2 PCS
F	CENTER SLAT DRAWER / CENTER LATTE TIROIR		1 PC
G	BED SLAT W/OUT MARKING / LATTE		3 PCS
H	BED SLAT SUPPORT / LATTE SOUTIEN		5 PCS
I	SUPPORT SLAT DRAWER / SOUTIEN LATTE TIROIR		1 PC
J	CONCEALED PANEL / PANNEAU CONCEAL		5 PCS
K	DRAWER SUPPORT RAIL / TIROIR SUPPORT RAIL		2 PCS
L	BED SLAT WITH MARKING / LATTE LIT AVEC MARQUAGE		2 PCS
M	DRAWER / TIROIR		2 PCS

HARDWARE LIST / LISTE DE QUINCAILLERIE				
NO	DESCRIPTION	SKETCH	SIZE	QTY
1	JCBC BOLT/ BOULON		M6 x 50MM	2 PCS
2	JCBC BOLT/ BOULON		M6 x 40MM	4 PCS
3	SPRING WASHER/ RONDELLE D' ARRET		1/4" x 2mm(Thickness)	6 PCS
4	FLAT WASHER/ RONDELLE PLATE		1/4" ID x 19mm x 1mm(Thickness)	4 PCS
5	ALLEN KEY / CLE ALLEN		M4 x 65MM	1 PC
6	WOOD DOWEL / GOUJON DE BOIS		M10 x 40MM	4 PCS

*HARDWARE SETS ARE IN 1957 - 1

NO	DESCRIPTION	SKETCH	SIZE	QTY
7	CSK SCREW / VIS M4 x 32MM		M4 x 32MM	14 PCS
8	JCBC BOLT/ BOULON		M6 x 35MM	2 PCS
9	SPRING WASHER/ RONDELLE D' ARRET		1/4" x 2mm(Thickness)	2 PCS
10	FLAT WASHER/ RONDELLE PLATE		1/4" ID x 19mm x 1mm(Thickness)	2 PCS
11	ALLEN KEY / CLE ALLEN		M4 x 65MM	1 PC
12	ALLEN KEY / CLE ALLEN		M5 x 65MM	1 PC
13	JCBC BOLT/ BOULON		M6 x 50MM	6 PCS
14	P/HEAD SCREW / VIS P/HEAD SCREW		M3.5 x 20MM	25 PCS

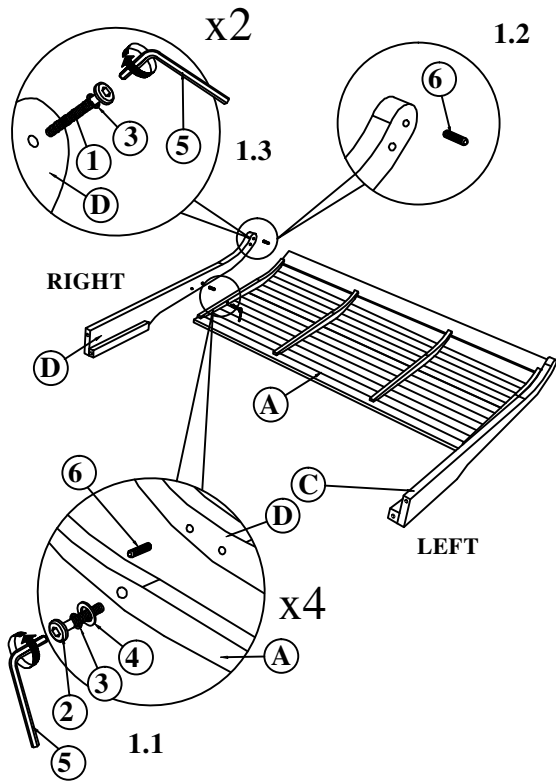
*HARDWARE SETS ARE IN 1957 - 3

MADE IN MALAYSIA
FABRIQUER AU MALAYSIA

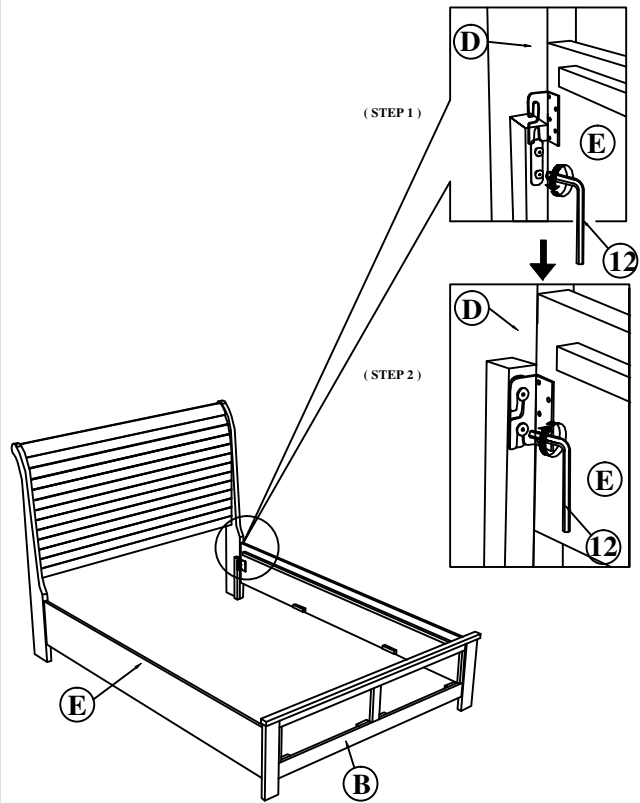
NOTE : MUST TIGHTEN SCREWS PERIODICALLY WITH USE SCREW WILL BECOME LOOSE CHECK TIGHTNESS OF ALL SCREW EVERY 6-8 WEEKS.

PAGE 1 OF 4 /
PAGE 1 DE 4

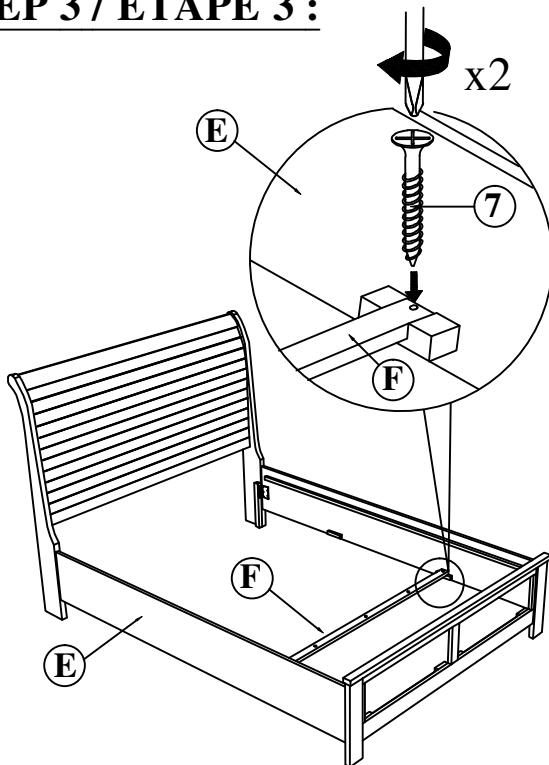
STEP 1 / ETAPE 1 :



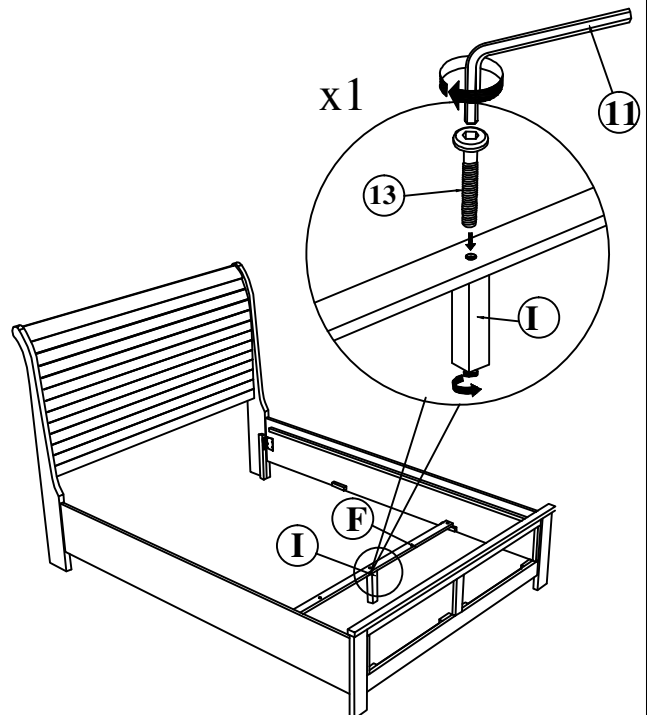
STEP 2 / ETAPE 2 :



STEP 3 / ETAPE 3 :



STEP 4 / ETAPE 4 :

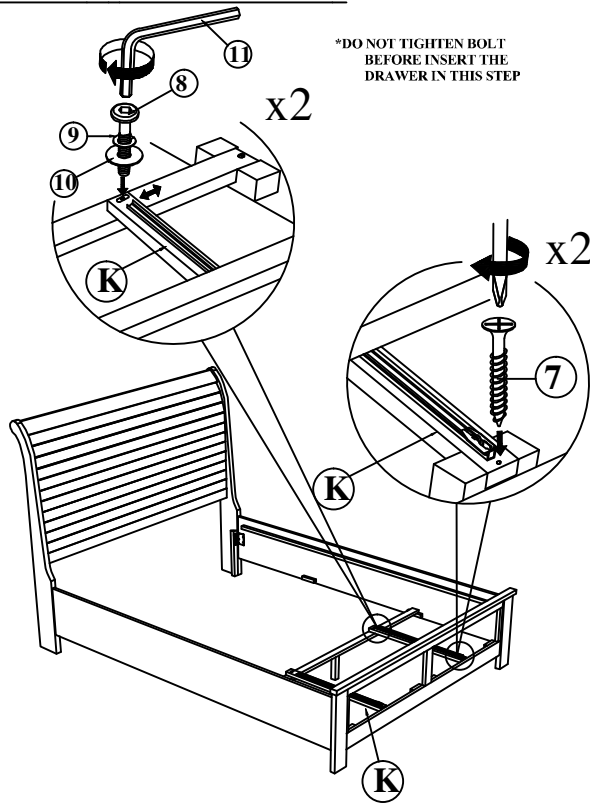


MADE IN MALAYSIA
FABRIQUER AU MALAYSIA

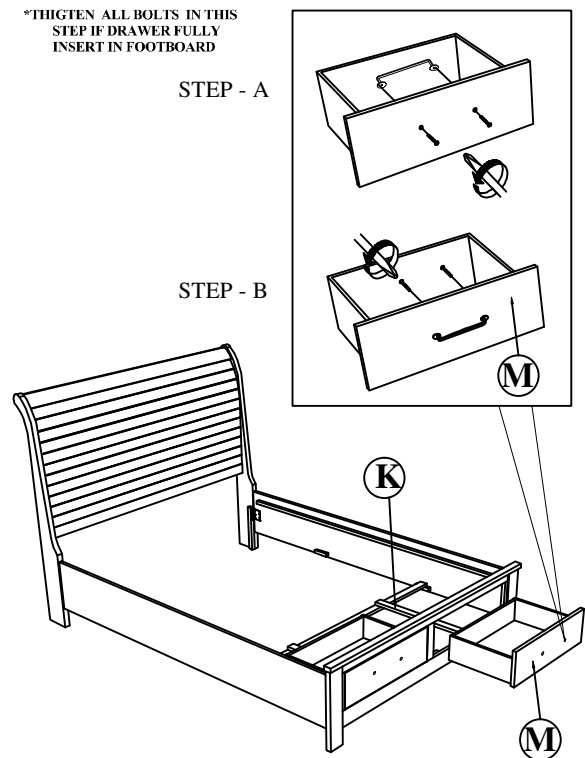
NOTE : MUST TIGHTEN SCREWS PERIODICALLY WITH USE SCREW WILL BECOME LOOSE CHECK TIGHTNESS OF ALL SCREW EVERY 6-8 WEEKS.

PAGE 2 OF 4 /
PAGE 2 DE 4

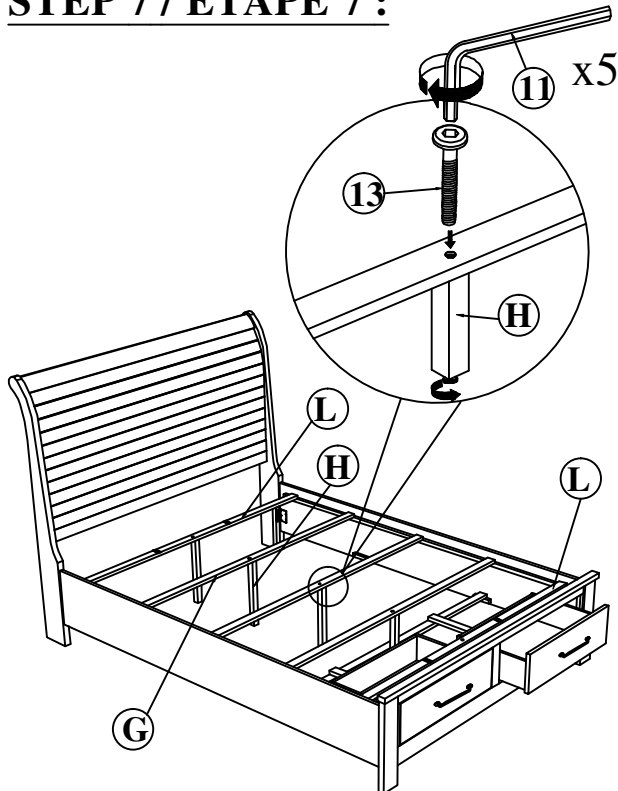
STEP 5 / ETAPE 5 :



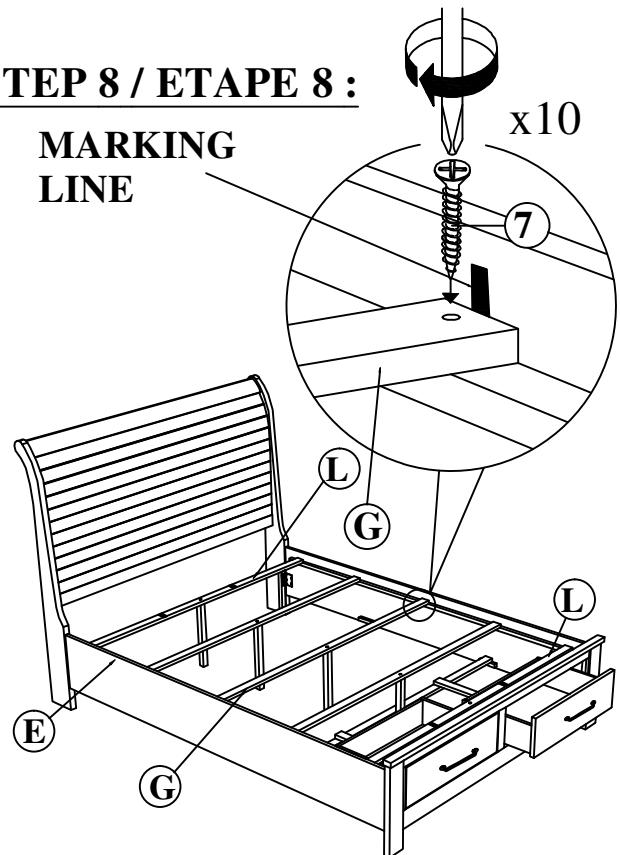
STEP 6 / ETAPE 6 :



STEP 7 / ETAPE 7 :



STEP 8 / ETAPE 8 :

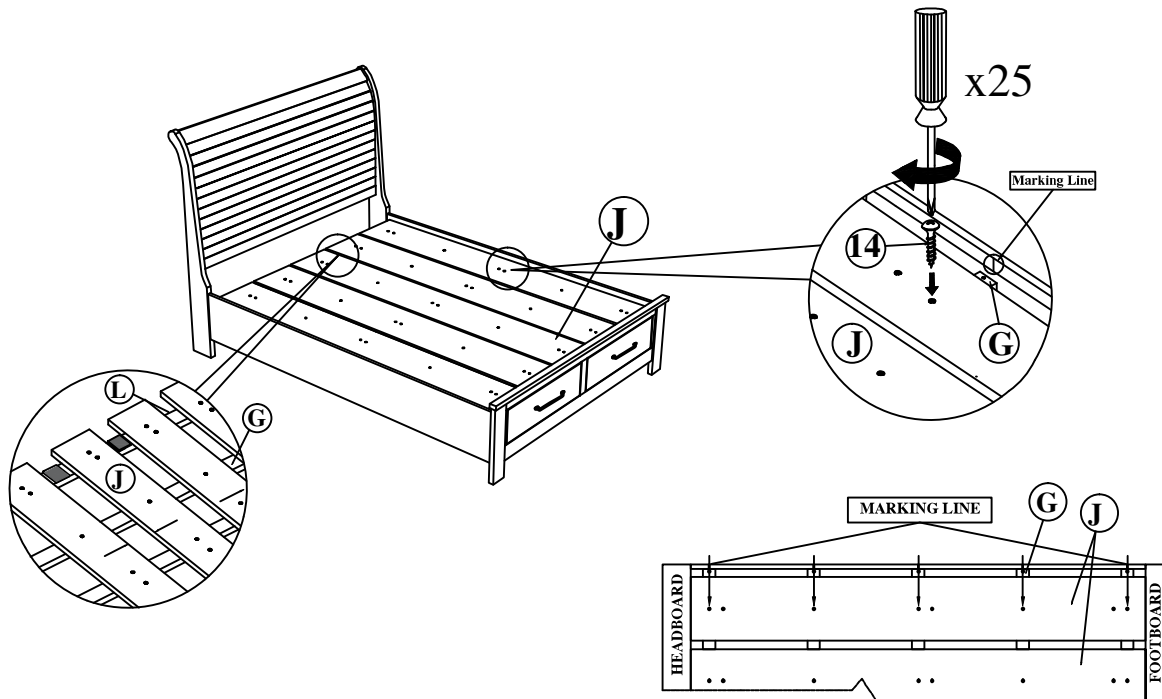


MADE IN MALAYSIA
FABRIQUER AU MALAYSIA

NOTE : MUST TIGHTEN SCREWS PERIODICALLY WITH USE SCREW WILL BECOME LOOSE CHECK TIGHTNESS OF ALL SCREW EVERY 6-8 WEEKS.

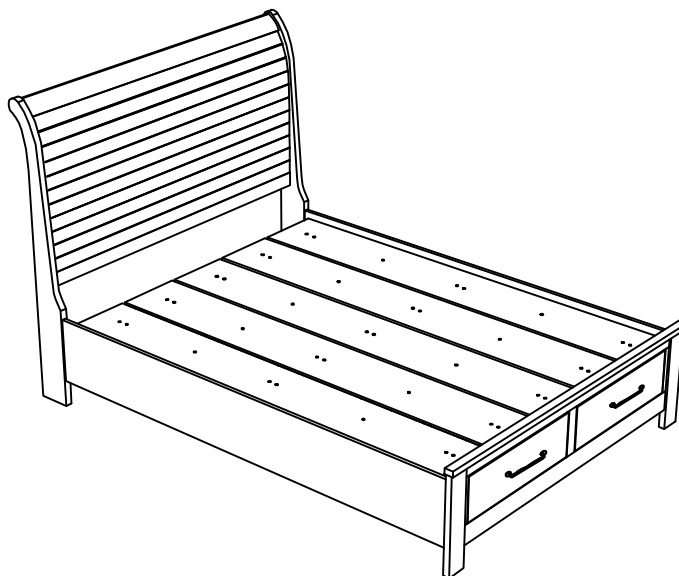
PAGE 3 OF 4 /
PAGE 3 DE 4

STEP 9 / ETAPE 9 :



TIGHTEN THE PANHEAD SCREW (14) BY FOLLOW THE ARROW AS SHOWN

COMPLETED ASSEMBLY
ASSEMBLAGE TERMINE



MADE IN MALAYSIA
FABRIQUER AU MALAYSIA

NOTE : MUST TIGHTEN SCREWS PERIODICALLY WITH USE SCREW WILL BECOME LOOSE CHECK TIGHTNESS OF ALL SCREW EVERY 6-8 WEEKS. PAGE 4 OF 4 / PAGE 4 DE 4