
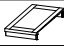

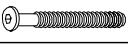







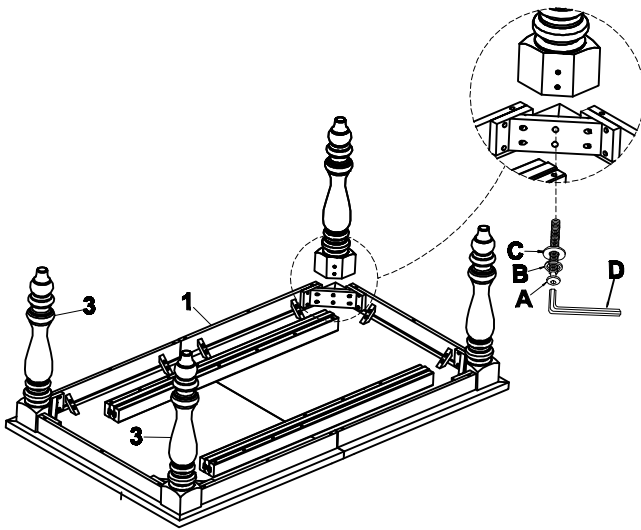
ASSEMBLY INSTRUCTION

ITEM NO.: 1718GY-90 DINING TABLE

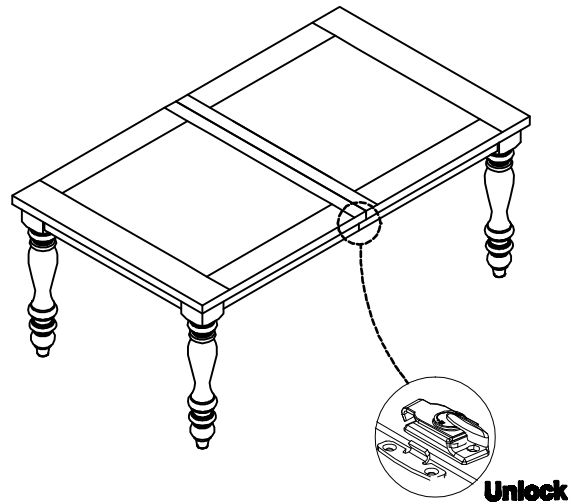
| PART LIST | | | |
|-----------|------------|---|------|
| 1 | TABLE TOP |  | 1PC |
| 2 | TABLE LEAF |  | 1PC |
| 3 | TABLE LEG |  | 4PCS |

| HARDWARE LIST | | | |
|---------------|--|-------------------------|------|
| A |  | BOLT (Ø 5/16" x 2-3/8") | 8PCS |
| B |  | SPRING WASHER (Ø5/16") | 8PCS |
| C |  | FLAT WASHER (Ø5/16") | 8PCS |
| D |  | ALLEN KEY (4mm) | 1PC |

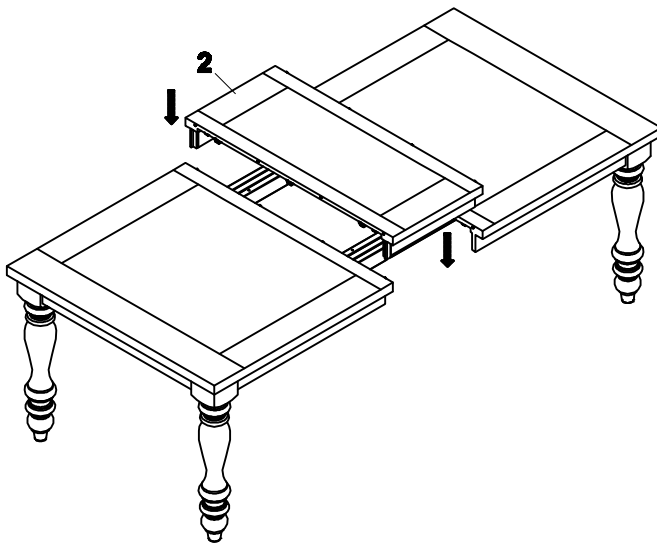
STEP 1



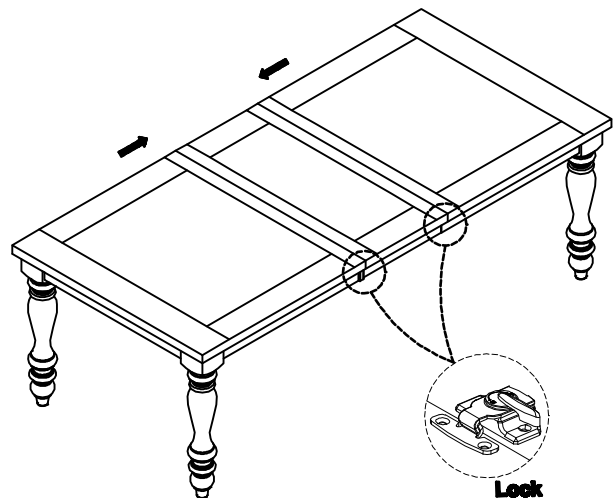
STEP 2



STEP 3



COMPLETED



For items use on wooden floor, hard surfaces or carpets, it is recommended to install protective pads under all legs and supports to avoid/prevent from damages/scratches and discoloration.