

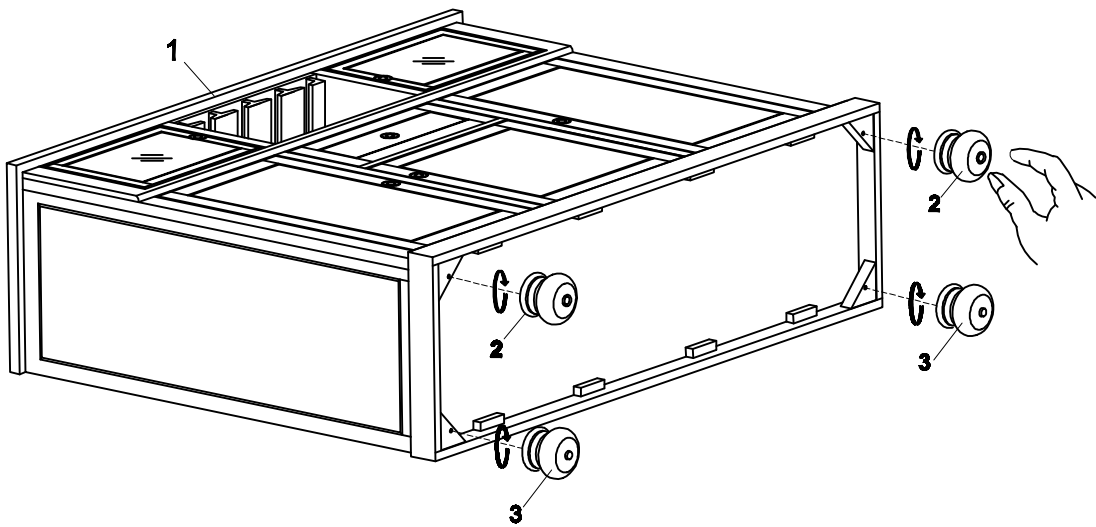


ASSEMBLY INSTRUCTION

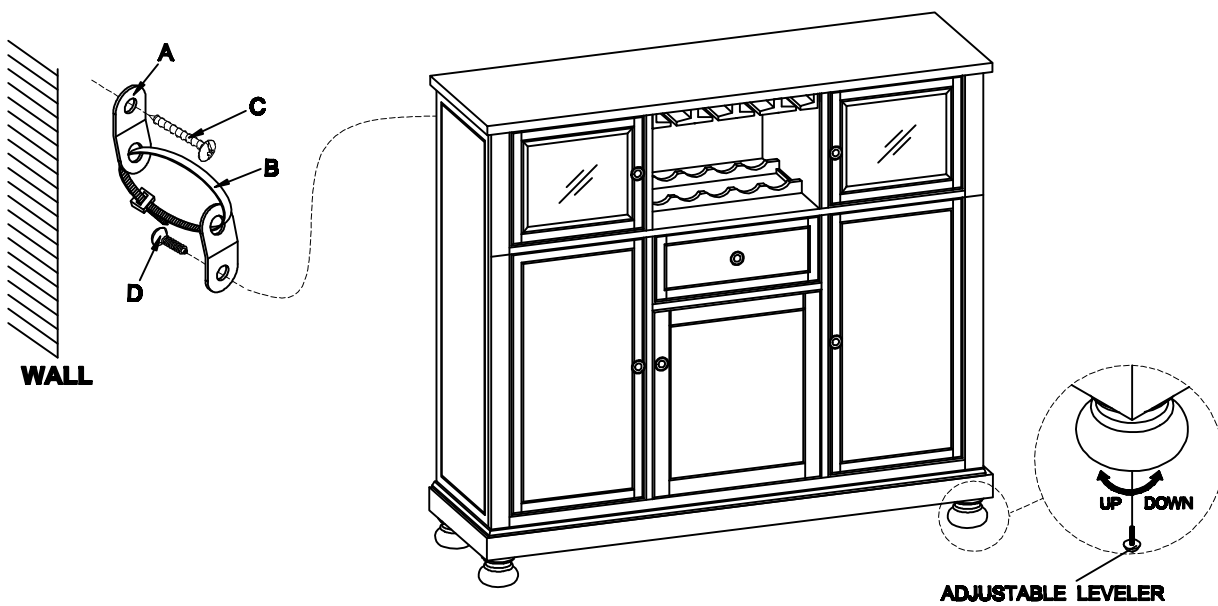
ITEM NO.: 1718GY-40 CURIO

| PART LIST | | | | ANTI-TIPPING HARDWARE PACK | | | |
|-----------|----------------|--|------|----------------------------|--|-------------------------|------|
| 1 | CURIO | | 1PC | A | | BRACKET | 2PCS |
| 2 | FRONT BUN FOOT | | 2PCS | B | | TIE WRAP | 1PC |
| 3 | REAR BUN FOOT | | 2PCS | C | | LONG SCREW (#8 x 2") | 1PC |
| | | | | D | | SHORT SCREW (#8 x 5/8") | 1PC |

STEP 1



STEP 2



For items use on wooden floor, hard surfaces or carpets, it is recommended to install protective pads under all legs and supports to avoid/prevent from damages/scratches and discoloration.