



HOMELEGANCE

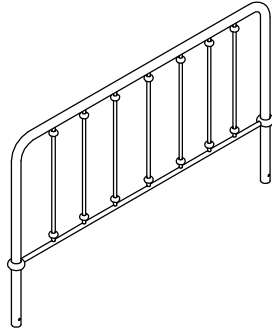
# ASSEMBLY INSTRUCTION

## 1638-1 QUEEN BED

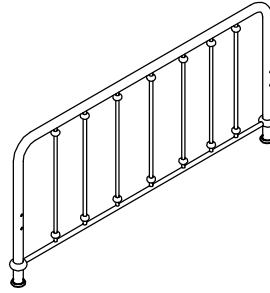
### PART LIST:



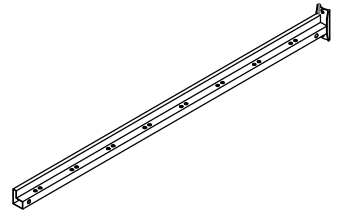
**A: Headboard support legs**  
x 2pcs



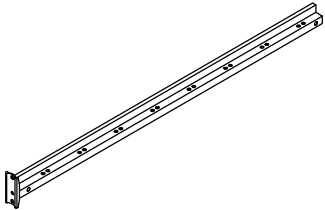
**B: Headboard**  
x 1pc



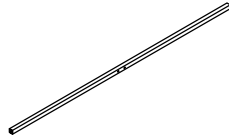
**C: Footboard**  
x 1pc



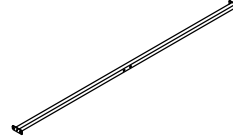
**D: Rail Section (1)**  
x 2pcs



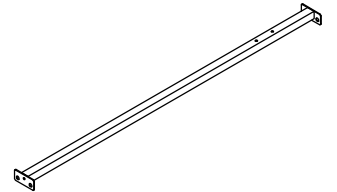
**E: Rail Section (2)**  
x 2pcs



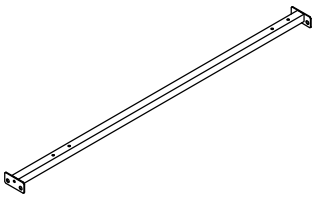
**F: Front/Rear Support Bar**  
x 2pcs



**G: Center Support Bar**  
x 1pc



**H: Front Center Rail**  
x 1pc



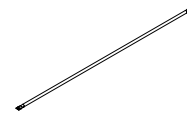
**I: Rear Center Rail**  
x 1pc



**J: Rail Support Legs**  
x 2pcs



**K: Center support Legs**  
x 3pcs



**L: Slat**  
x 16pcs



**M: Slat Connector**  
x 32pcs

### HARDWARE LIST:



**1: Bolt 1/4\*16mm**  
x 24pcs



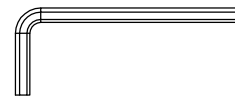
**2: Bolt 1/4\*46mm**  
x 8pcs



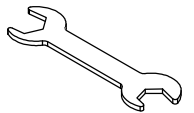
**3: Bolt 1/4\*36mm**  
x 2pcs



**4: Nut**  
x 6pcs



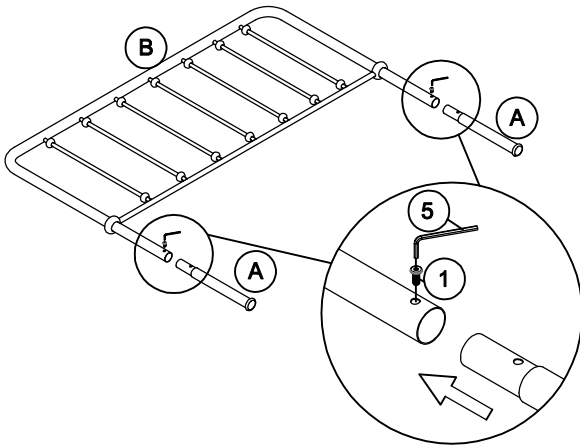
**5: Allen Key**  
x 1pc



**6: Wrench**  
x 1pc

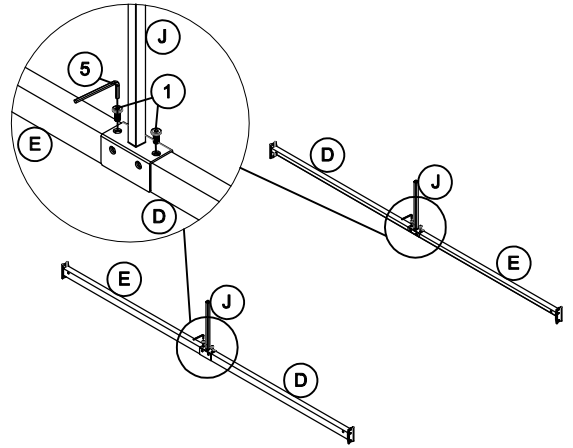
Note: Please do not tighten all bolts until the bed is assembled completely.

STEP 1



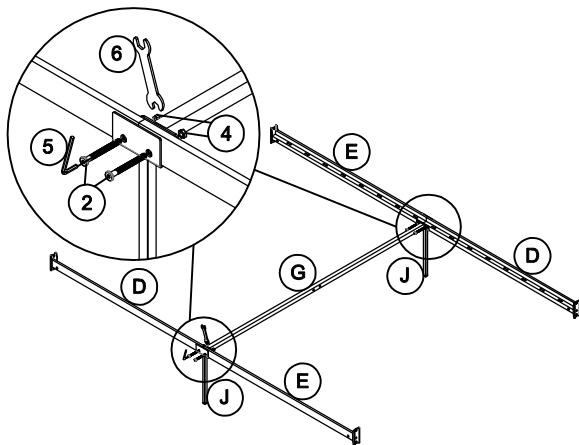
Hardware 1: 2 pcs

STEP 2



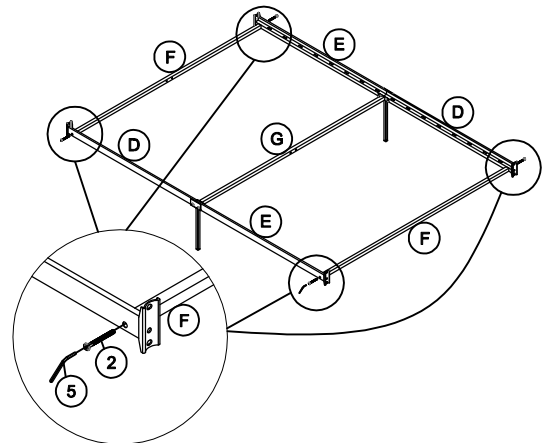
Hardware 1: 4 pcs

STEP 3



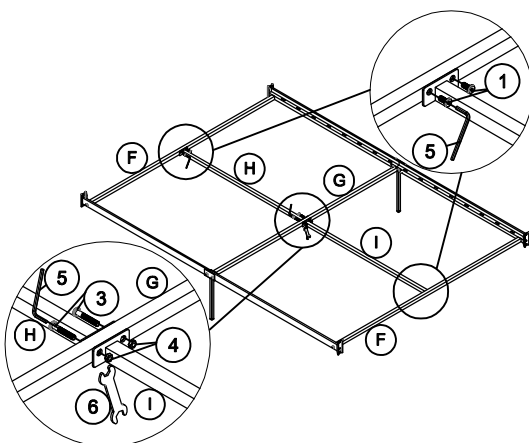
Hardware 2: 4 pcs  
Hardware 4: 4 pcs

STEP 4



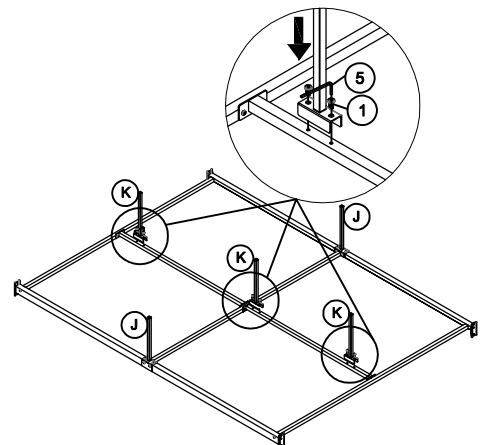
Hardware 2: 4 pcs

STEP 5



Hardware 1: 4 pcs  
Hardware 3: 2 pcs  
Hardware 4: 2 pcs

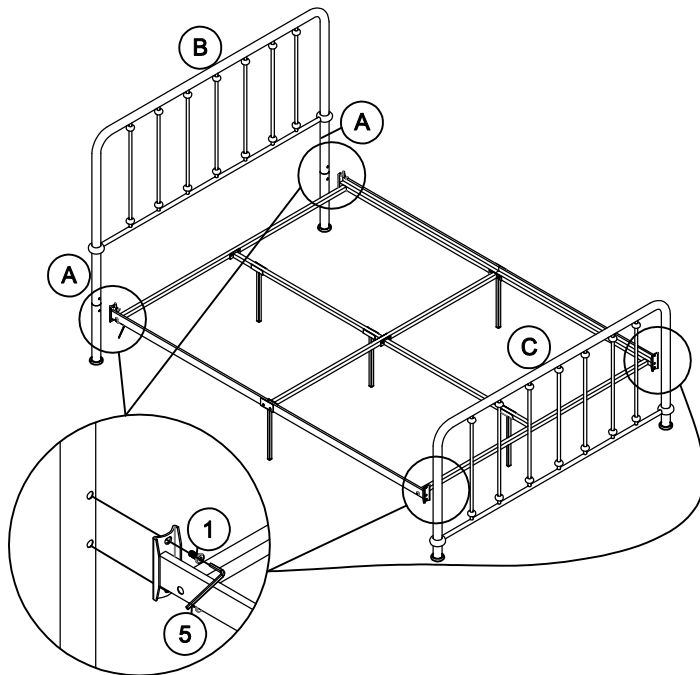
STEP 6



Hardware 1: 6 pcs

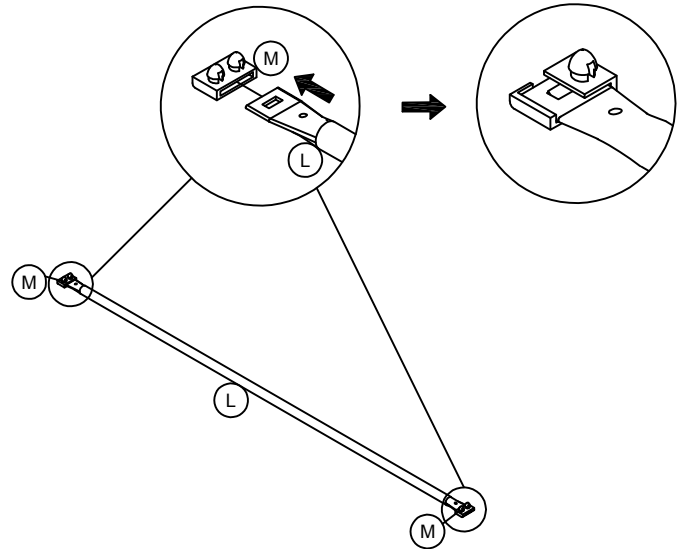
Note: Please do not tighten all bolts until the bed is assembled completely.

### STEP 7

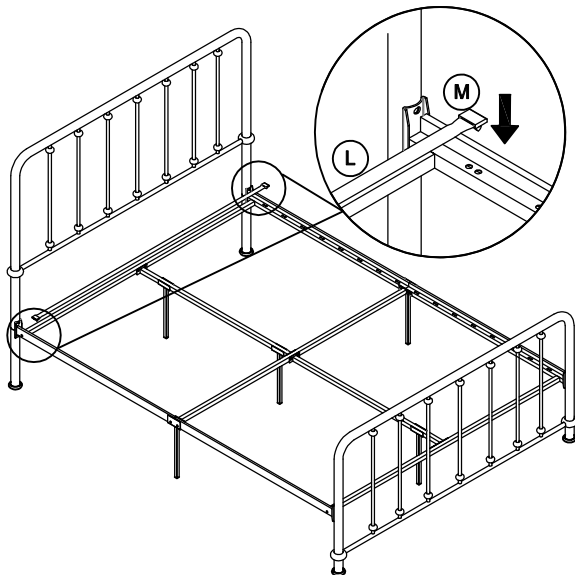


Hardware 1: 8 pcs

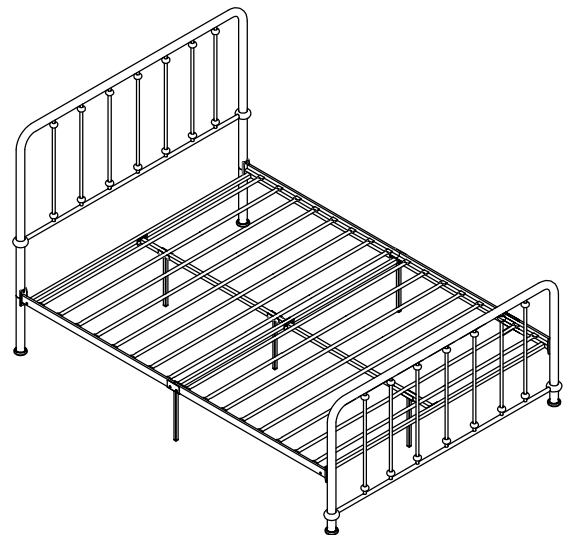
### STEP 8



### STEP 9



### COMPLETED



For items use on wooden floor, hard surfaces or carpets, it is recommended to install protective pads under all legs and supports to avoid/prevent from damages/scratches and discoloration.