



# ASSEMBLY INSTRUCTION

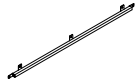
## 1612BKF-1: FULL METAL BED

HOME ELEGANCE

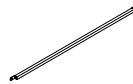
PART LIST:



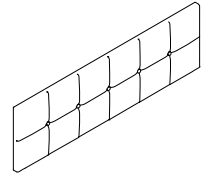
A: LEGS FOR ALL  
SIZE BED  
2PCS



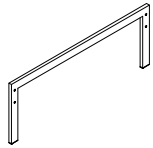
B: HEADBOARD CONNECTOR  
BAR  
2PCS



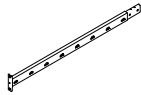
C: HEADBOARD  
STRETCHER  
1PCS



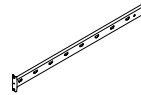
D: HEADBOARD  
1PCS



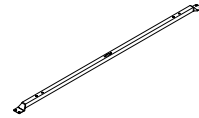
E: FOOTBOARD  
1PC



F: SIDE RAIL  
2PCS



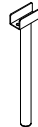
G: SIDE RAIL  
2PCS



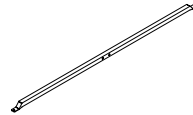
H: CENTER CROSS BAR  
1PC



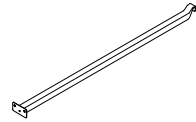
I: SUPPORT LEG  
3PCS



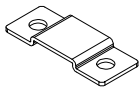
J: SUPPORT LEG  
2PCS



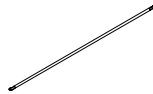
K: SIDE CROSS BAR  
2PCS



L: CENTER RAIL  
SUPPORT BAR  
2PCS



M: BRACKET  
1PC

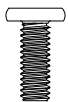


N: SLAT  
14PCS



O: SLAT CONNECTOR  
28PCS

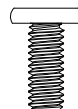
HARDWARE SET:



1: Bolt  
1/4\*17.5mm  
X 20pcs



2: Bolt  
1/4\*22mm  
X 12pcs



3: Bolt  
5/16\*19mm  
X 8pcs



4: Bolt  
1/4\*40mm  
X 6pcs



5: Nut  
1/4  
X 6psc



6: Washer  
1/4  
X 4psc



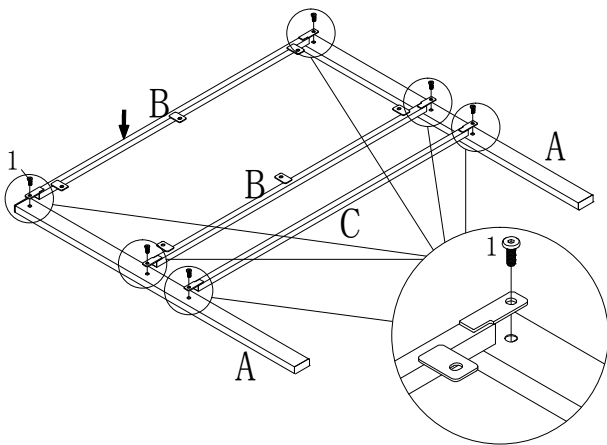
7: L-Allen Key  
X 1pc



8: Wrench  
X 1PC

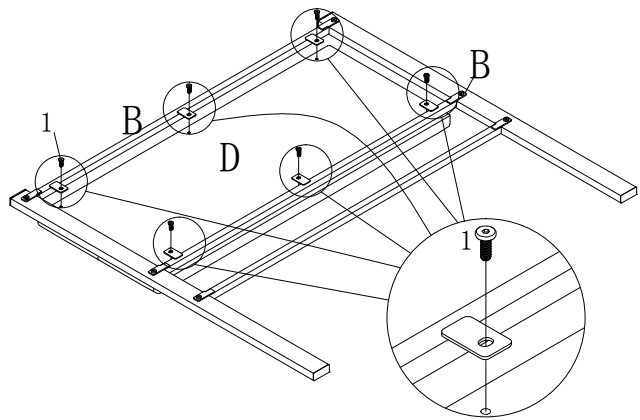
Note: Please do not tighten all bolts until the bed is assembled completely.

STEP 1



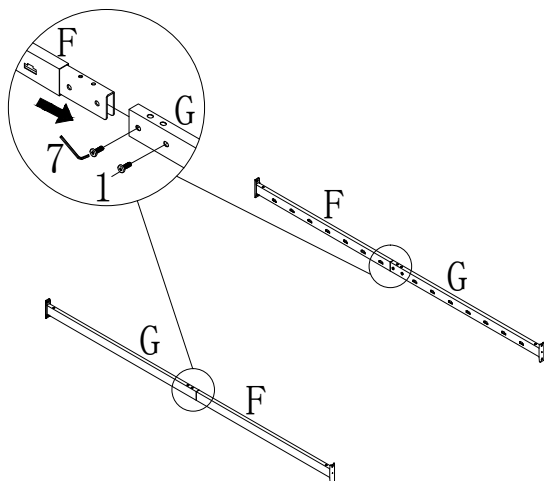
Hardware 1: 6 pcs

STEP 2



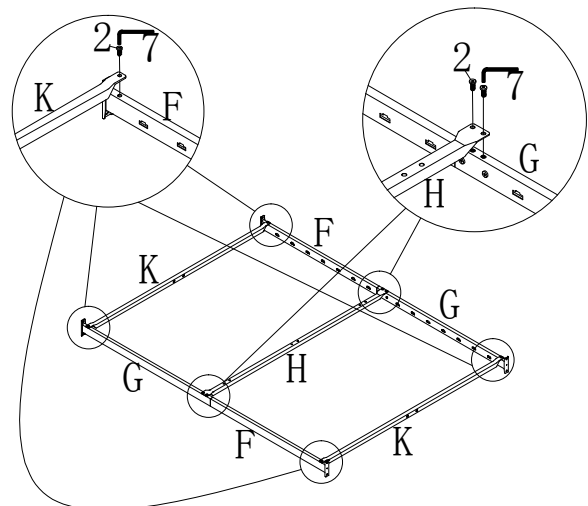
Hardware 1: 6 pcs

STEP 3



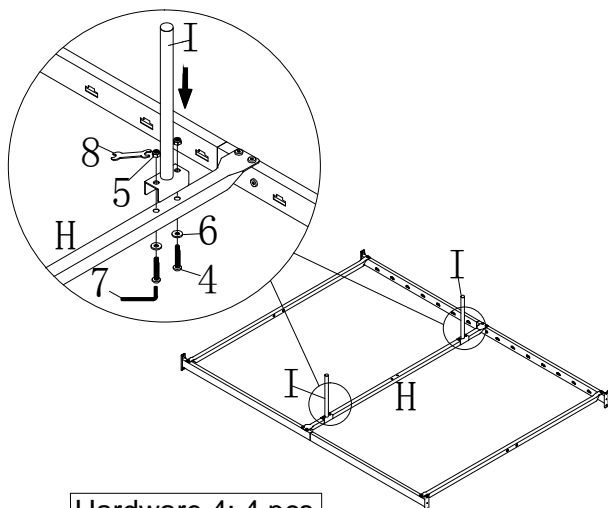
Hardware 1: 4 pcs

STEP 4



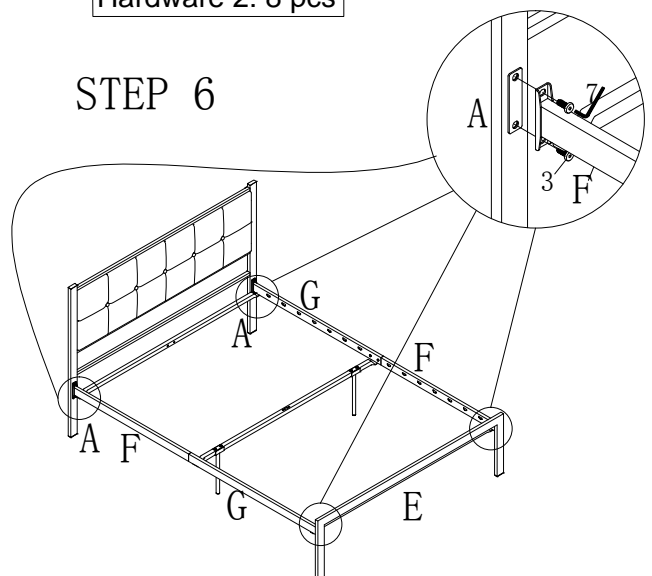
Hardware 2: 8 pcs

STEP 5



Hardware 4: 4 pcs  
Hardware 5: 4 pcs  
Hardware 6: 4 pcs

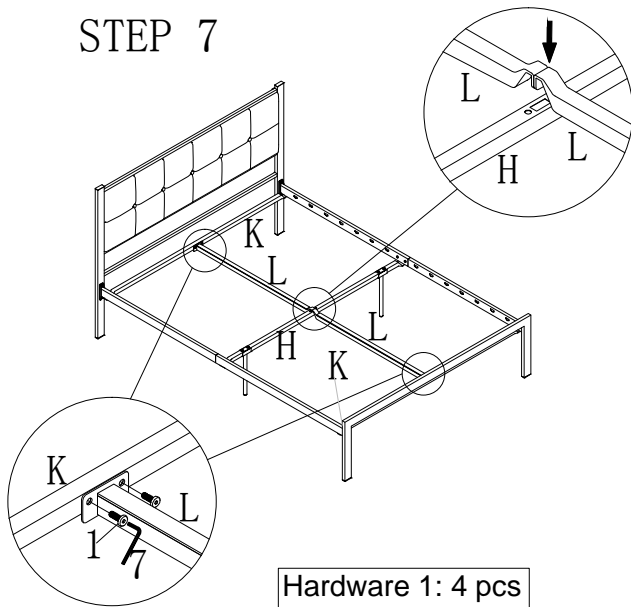
STEP 6



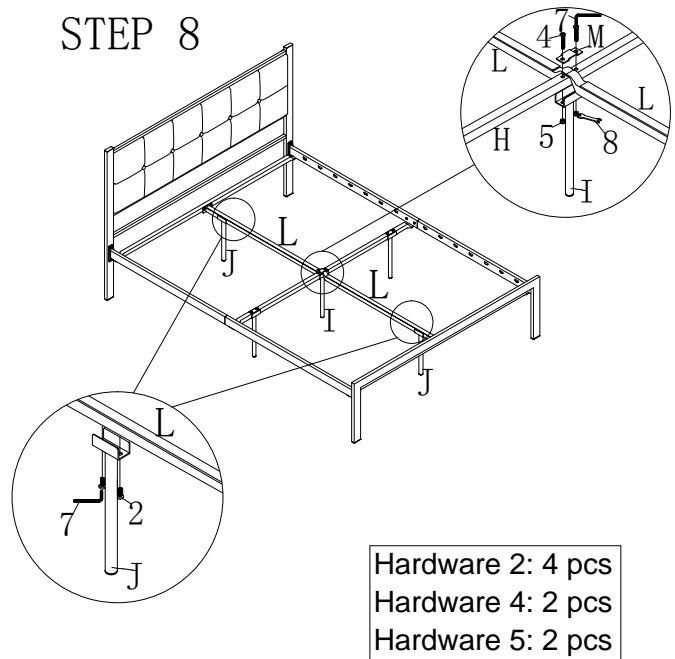
Hardware 3: 8 pcs

Note: Please do not tighten all bolts until the bed is assembled completely.

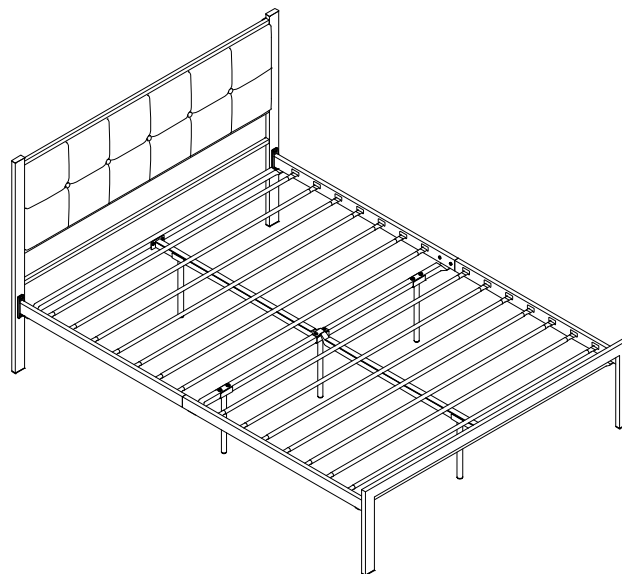
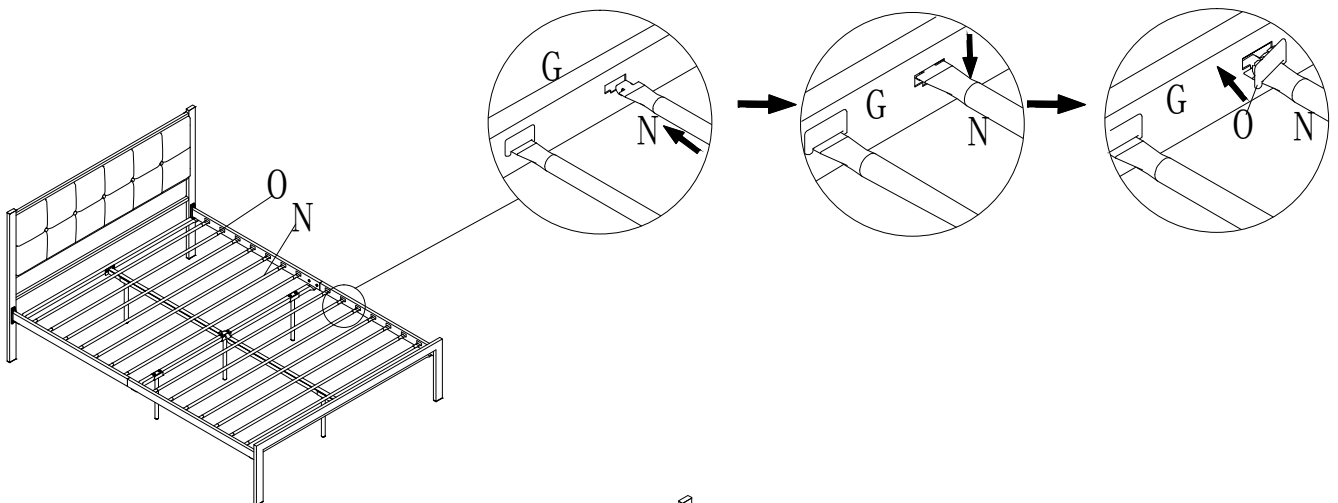
STEP 7



STEP 8



STEP 9



For items use on wooden floor, hard surfaces or carpets, it is recommended to Install protective pads under all legs and supports to avoid/prevent from damages/scratches and discoloration.