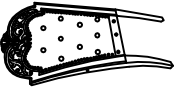







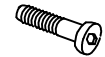
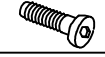




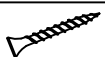
# Assembly Instruction

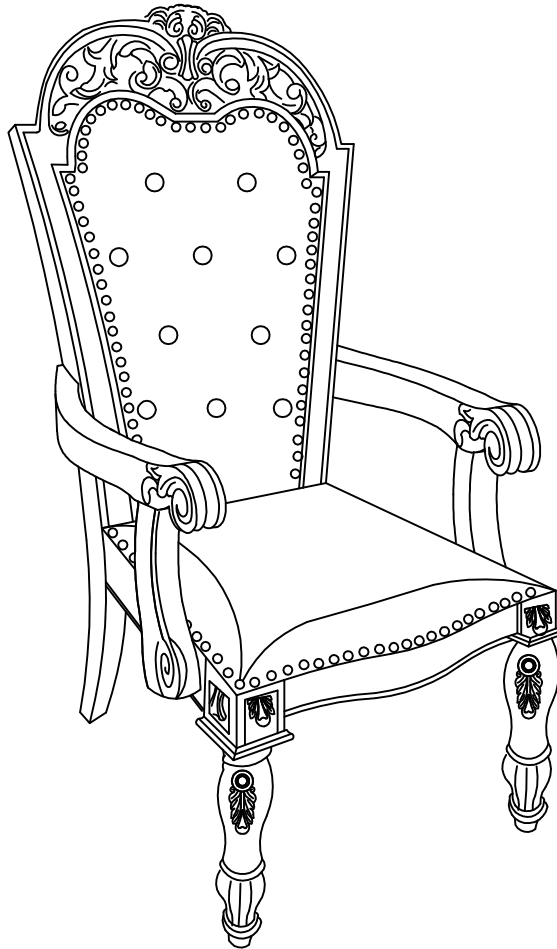
ITEM#: 1468A ARM CHAIR

## PART LIST

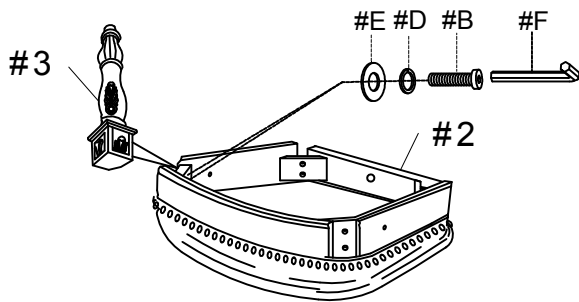
|   |   |            |       |
|---|---|------------|-------|
| 1 |  | CHAIR BACK | 1 PC  |
| 2 |  | CHAIR SEAT | 1 PC  |
| 3 |  | LEG        | 2 PCS |
| 4 |  | ARM(L & R) | 2 PCS |

## HARDWARE LIST

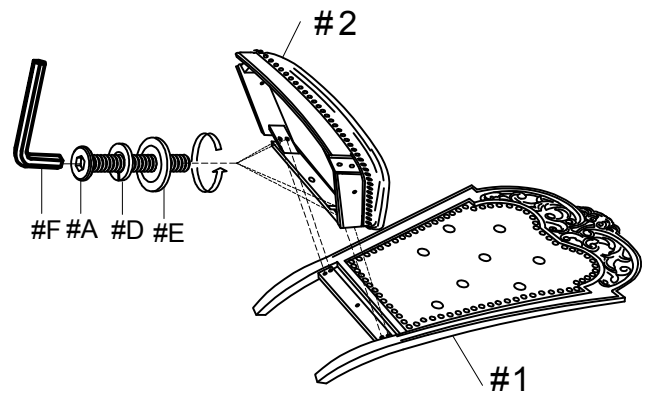
|   |   |                            |        |
|---|---|----------------------------|--------|
| A |  | LONG BOLT 5/16" x 3-1/4"   | 4 PCS  |
| B |  | MEDIUM BOLT 5/16" x 2-1/2" | 4 PCS  |
| C |  | SHORT BOLT 5/16" x 1-3/4"  | 3 PCS  |
| D |  | SPRING WASHER 5/16"        | 11 PCS |
| E |  | FLAT WASHER 5/16" x 22mm   | 11 PCS |
| F |  | ALLEN KEY 5/16"            | 1 PC   |
| G |  | SCREW #8x50mm              | 2 PCS  |



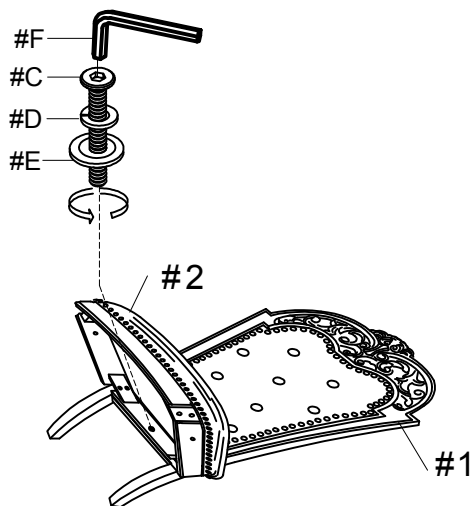
## STEP 1



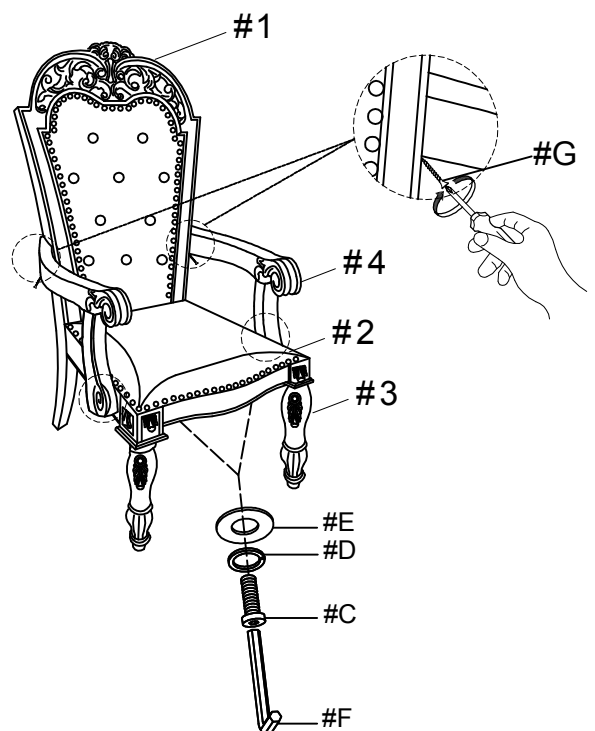
## STEP 2



## STEP 3



## STEP 4



- For items use on wooden floor hard surfaces or carpets. It is recommended to install protective pads under all legs and supports to avoid/prevent from damages/scratches and discoloration.
- Hardware may loosen over time. Periodically check to make sure all connections are tight. Re-tight if necessary.