
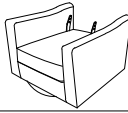

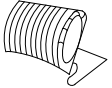




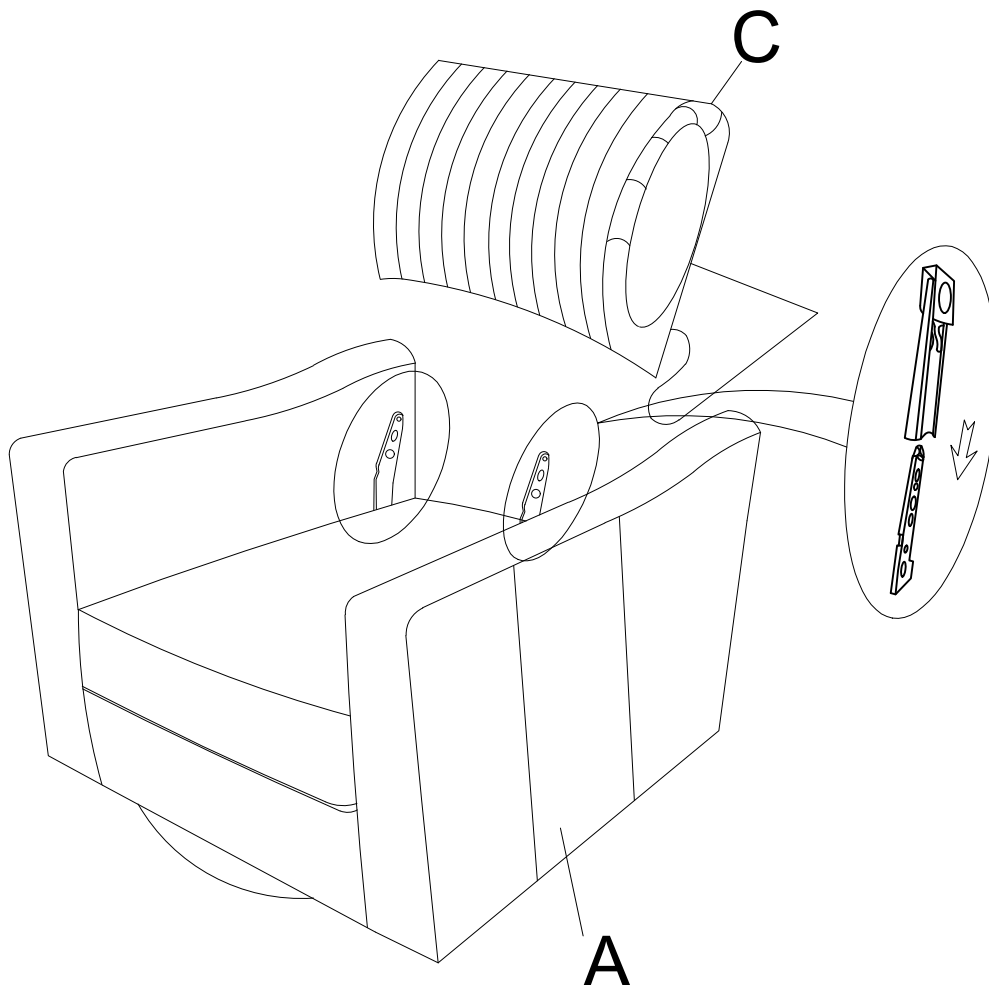
ASSEMBLING INSTRUCTIONS

ITEM NO: 1257BR-1 SWIVEL CHAIR

 Note: Do not use power tools for assembly. Power tools increase the risk of over tightening which lead to splitting or cracking the wood.

| PART | DRAWING | DESCRIPTION | QTY |
|------|---|--------------|------|
| A |  | Seat | 1 PC |
| B |  | Seat Cushion | 1 PC |
| C |  | Back Rest | 1 PC |

STEP 1:

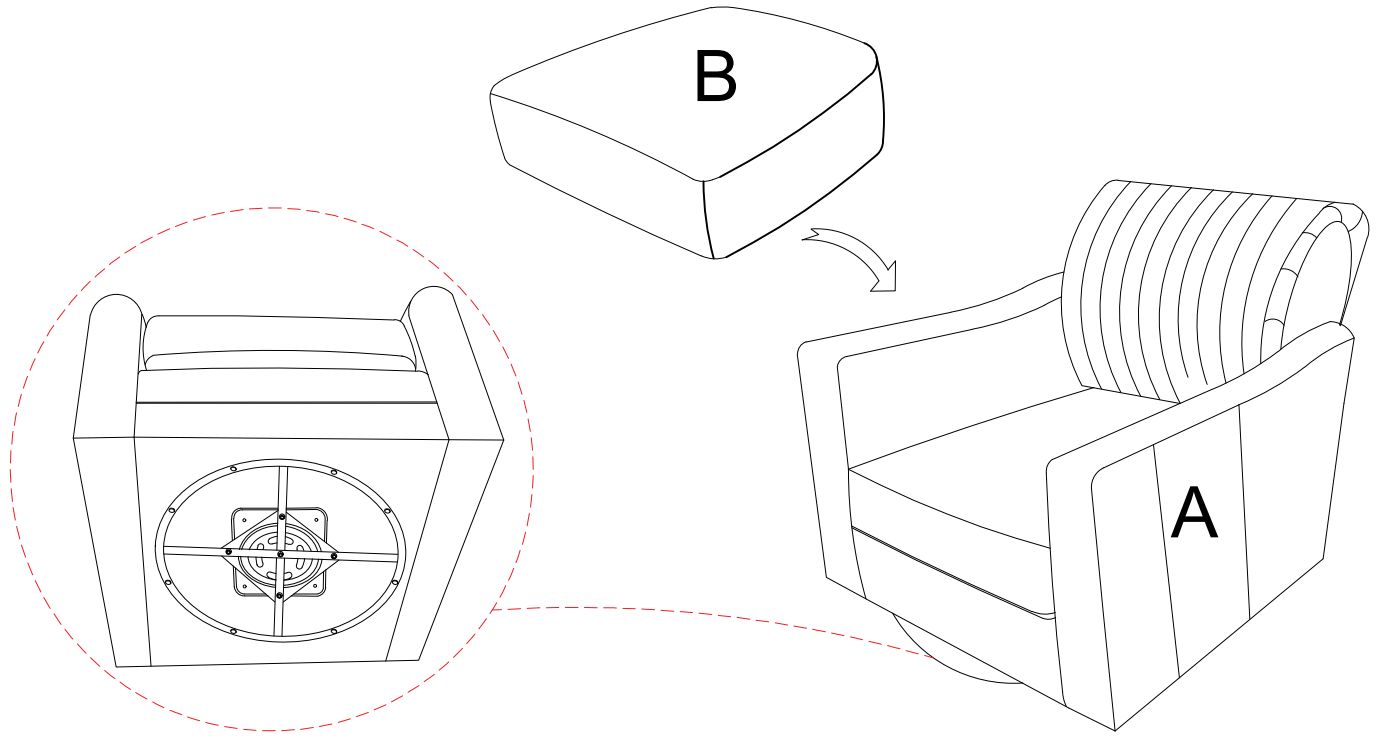




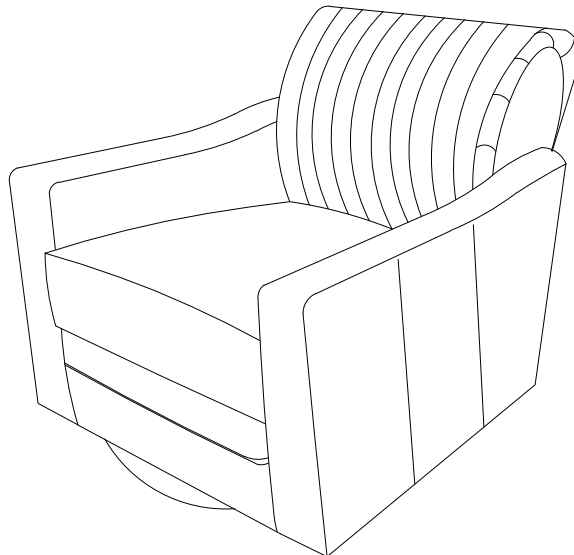
ASSEMBLING INSTRUCTIONS

ITEM NO: 1257BR-1 SWIVEL CHAIR

STEP 2:




COMPLETE



Care Instruction for Breathable Faux Leather Furniture:

In order to maintain the original appearance of your Breathable Faux Leather furniture, please follow below simple care procedures:

- Avoid exposing furniture directly to sunlight or heating and air conditioning outlets.
Sunlight and or exposure to heating and air conditioning outlets will fade/damage Breathable Faux Leather.
- Vacuum or wipe with a soft cloth to remove dust.
- Hardware may loosen over time. Periodically check to make sure all connection are tight, Re-tighten if necessary

 For item use on wooden floor, hard surfaces or carpets, it is recommended to install protective pads under all legs and supports to avoid/prevent from damages/scratches and discoloration.