



## Assembly Instruction










ITEM NO.:1159BE/TP-1  
Swivel Chair With Ottoman

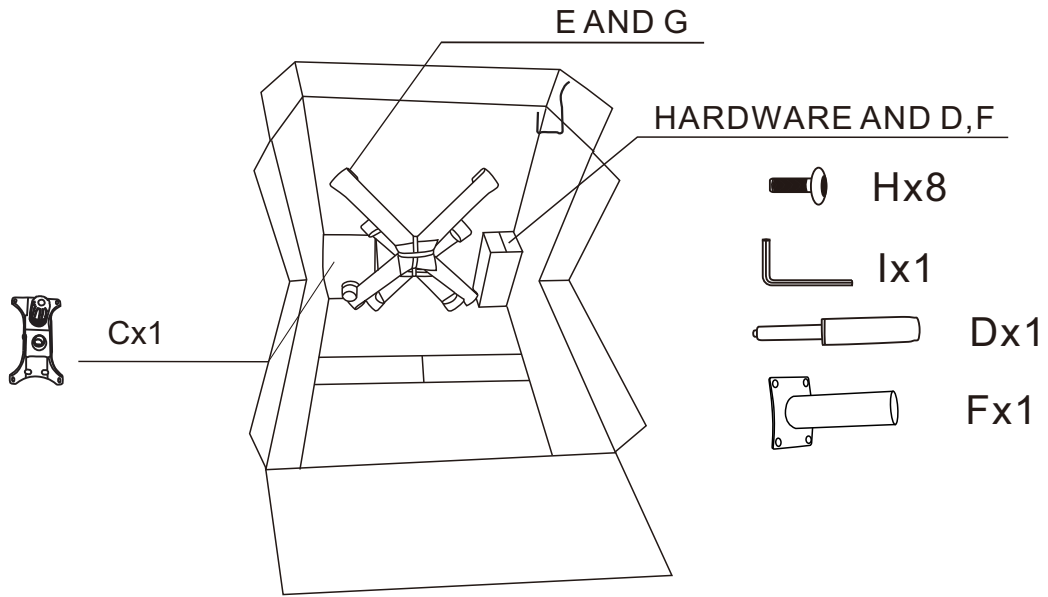


Legs & hardware are stored on the inner box of the carton, please take out the legs and hardware for assembly.

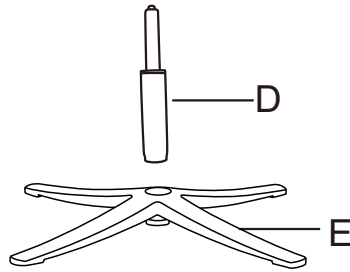
Note: Do not use power tools for assembly. Power tools increase the risk of over tightening which lead to splitting or cracking the wood.

### Component list

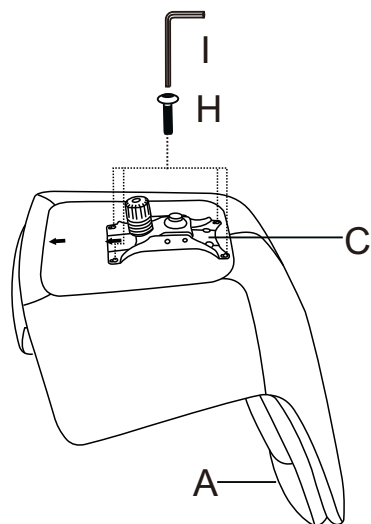
No	Drawing	Qty	Description
A		1	SWIVEL CHAIR SEAT
B		1	OTTOMAN SEAT
C		1	MECHANISM PLATE
D		1	CHAIR GAS CYLINDER
E		1	OTTOMAN GAS CYLINDER 20.9"
F		1	OTTOMAN GAS CYLINDER
G		1	OTTOMAN METAL LEG 14.6"
H		8	SCREWS M6*16MM
I		1	WRENCH



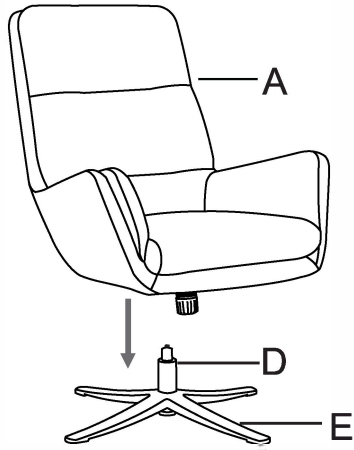
Step #1



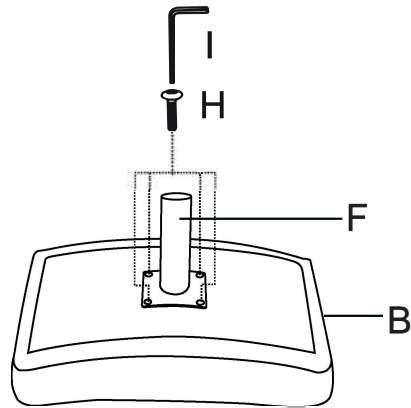
Step #2



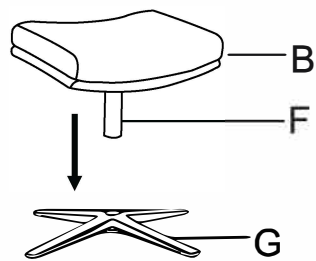
### Step #3



### Step #4



### Step #5



COMPLETED



### Care Instruction for Chenille Furniture:

In order to maintain the original appearance of your chenille Furniture please follow below simple care procedures:

- Avoid exposing furniture directly to sunlight or heating and air conditioning outlets. Sunlight and or exposure to heating and air conditioning outlets will fade/damage chenille.
- Vacuum or wipe with a soft cloth to remove dust. Hardware may loosen over time.
- Periodically check to make sure all connection are tight, Re-tighten if necessary.



For items use on wooden floor, hard surfaces or carpets, it is recommended to Install protective pads under all legs and supports to avoid/prevent from damages/scratches and discoloration.