

# ASSEMBLY INSTRUCTIONS

B2046PMTF-1 : TWIN/FULL BUNK BED HB/FB  
 B2046PMTF-2 : TWIN/FULL BUNK BED SIDERAILS,GUARDRAILS,LADDER  
 B2046PMTF-SL : TWIN/FULL BUNK BED SLATS(26PCS)



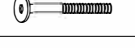





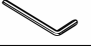


▲ It is recommended to install protective pads under all legs and supports to avoid damage or scratches when placing furniture on a wood floor or other hard surface, and to limit indentation and prevent discoloration if placing on carpet.

▲ Il est recommandé de placer des coussins protecteurs sous tous les pieds et toutes les bases des meubles pour éviter d'endommager ou d'égratigner les planchers en bois ou autres surfaces dures, es pour limiter l'empreinte et empêcher la décoloration quand les meubles reposent sur la moquette.


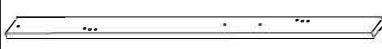





DO NOT TIGHTEN BOLTS UNTIL COMPLETELY ASSEMBLED.  
 NE PAS SERRER LES BOULONS JUSQU'A CE QUE LE MONTAGE SOIT COMPLETMENT TERMINE.

## HARDWARE LIST

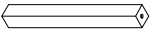

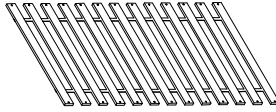


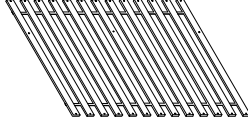
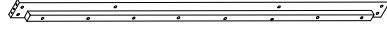

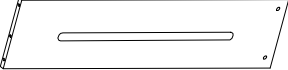
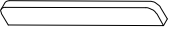
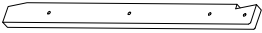
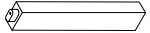
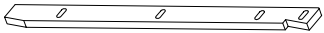
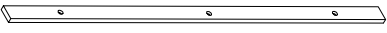
/ LISTE DE QUINCAILERIE: (Packed in 2046PMTF-1 carton)

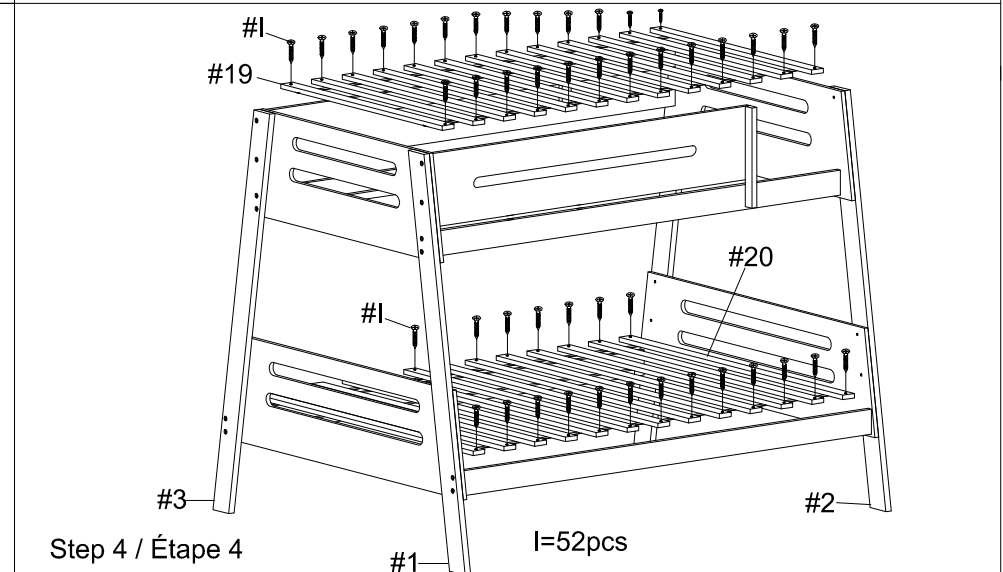
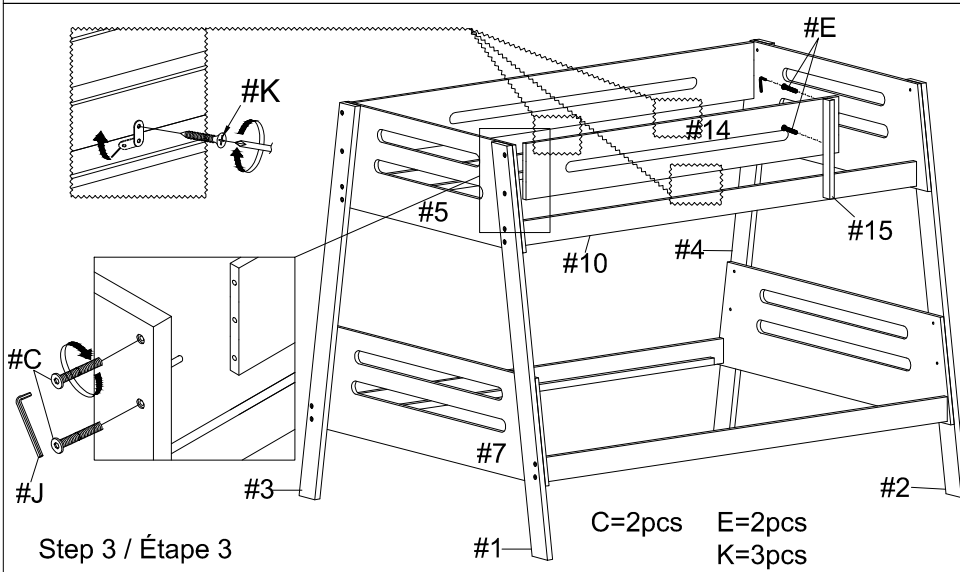
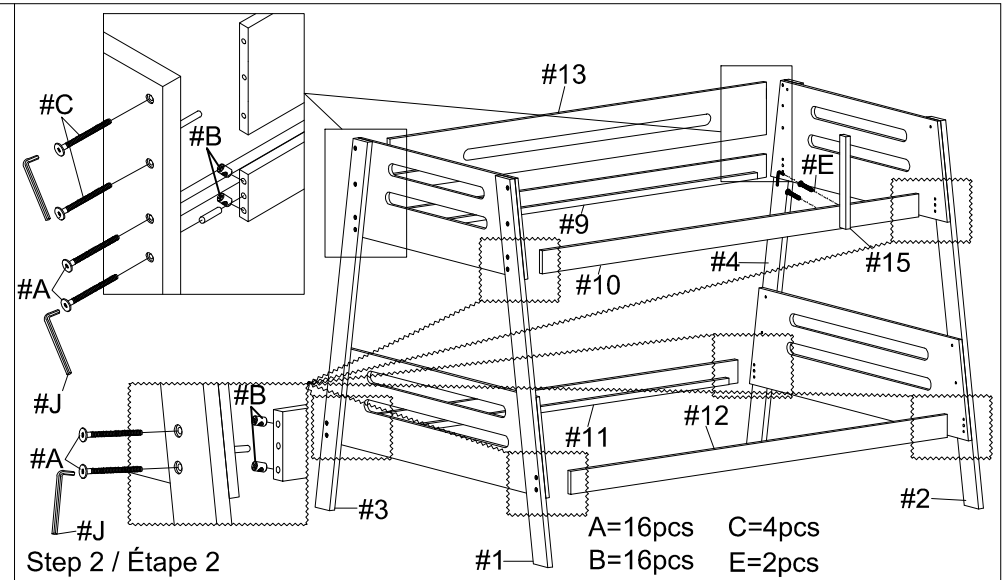
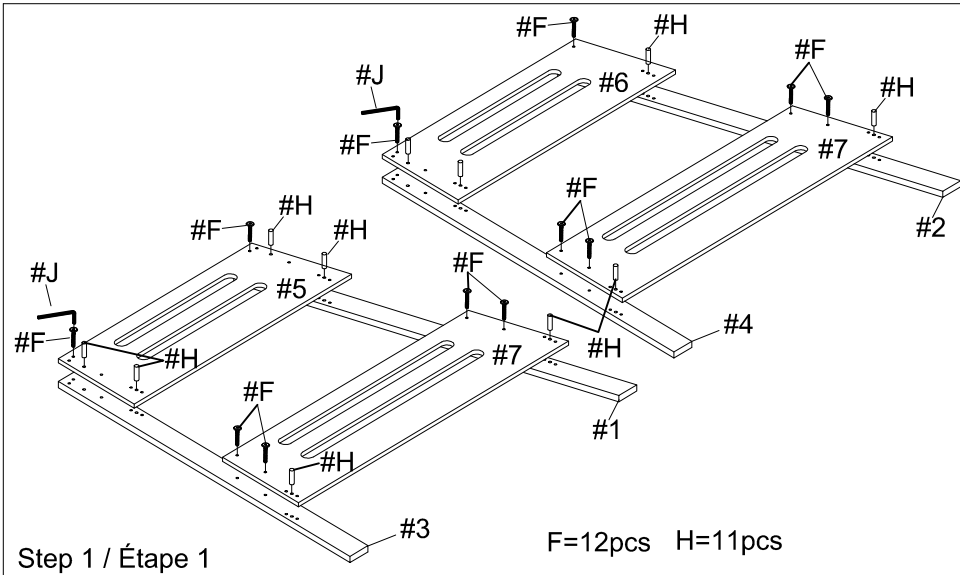
A		Bolt Ø5/16"x90mm (D15)	16pcs
B		Bolt Ø5/16"	16pcs
C		Bolt Ø1/4"x60mm (D15)	6pcs
D		Bolt Ø1/4"x50mm (D13)	11pcs
E		Bolt Ø1/4"x40mm (D13)	8pcs
F		Bolt Ø1/4"x30mm (D15)	12pcs
G		Screw Driver (not Included)	1pc
H		Wooden Pegs #10x50mm	11pcs
I		Screw 4x30mm	57pcs
J		Allen Key 4mm	1pc
K		Screw 3x15mm	3pcs

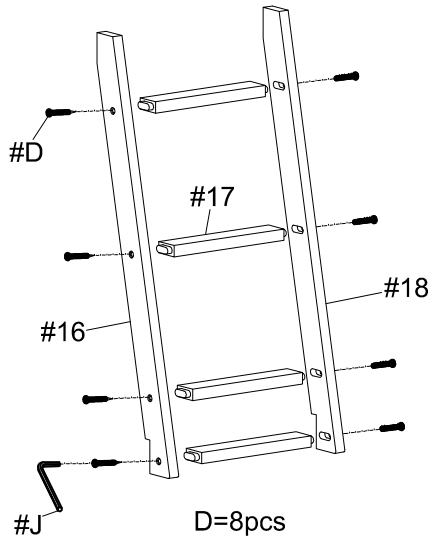
## PART LIST :

B2046PMTF-1 Headboard			
1		Front Leg (L)	1pc
2		Front Leg (R)	1pc
3		Back Leg (L)	1pc
4		Back Leg (R)	1pc
5		Upper Board (L)	1pc
6		Upper Board (R)	1pc
7		Lower Board	2pcs

PART LIST :

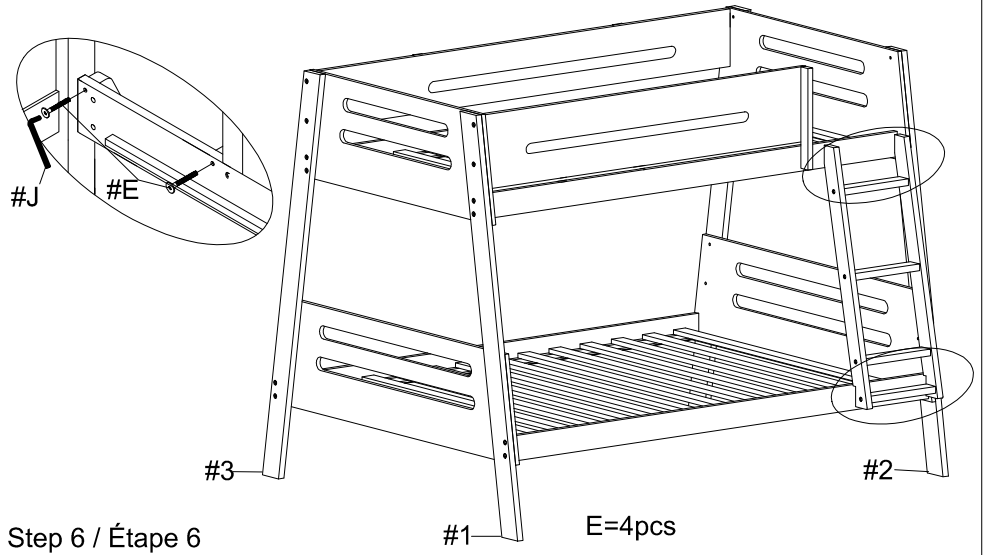
B2046PMTF-2 Side Rail , Guard Rail , Center Support				B2046PMTF-SL Slats (13pcs)			
8		Center Support Leg	3pcs				
9		Upper Side Rail Back	1pc	19		Upper Slat (13pcs)	1set
10		Upper Side Rail Front	1pc				
11		Lower Side Rail Back	1pc	20		Lower Slat (13pcs)	1set
12		Lower Side Rail Front	1pc				
13		Long Guard Rail	1pc				
14		Short Guard Rail	1pc				
15		Guard rail support	1pc				
16		Ladder (L)	1pc				
17		Step Ladder	4pcs				
18		Ladder (R)	1pc				
21		Center Support	1pc				





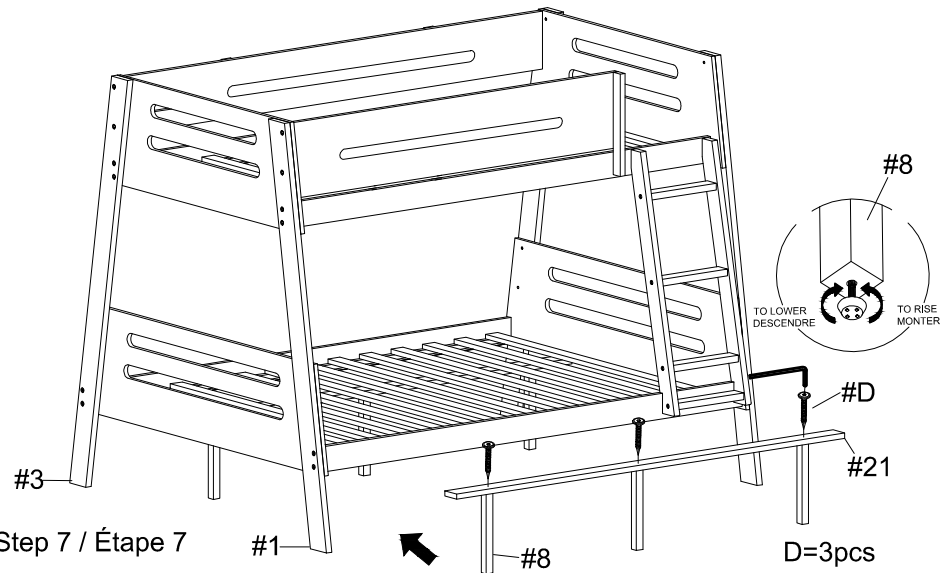
Step 5 / Étape 5

D=8pcs



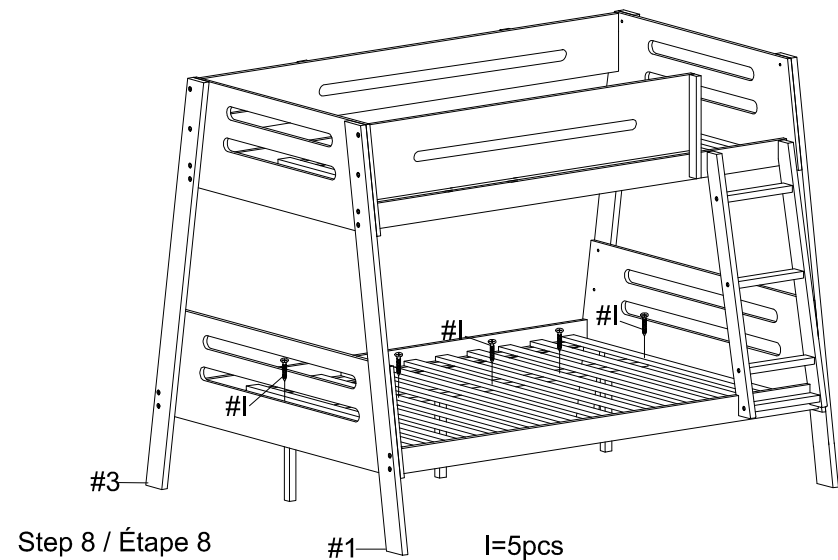
Step 6 / Étape 6

E=4pcs



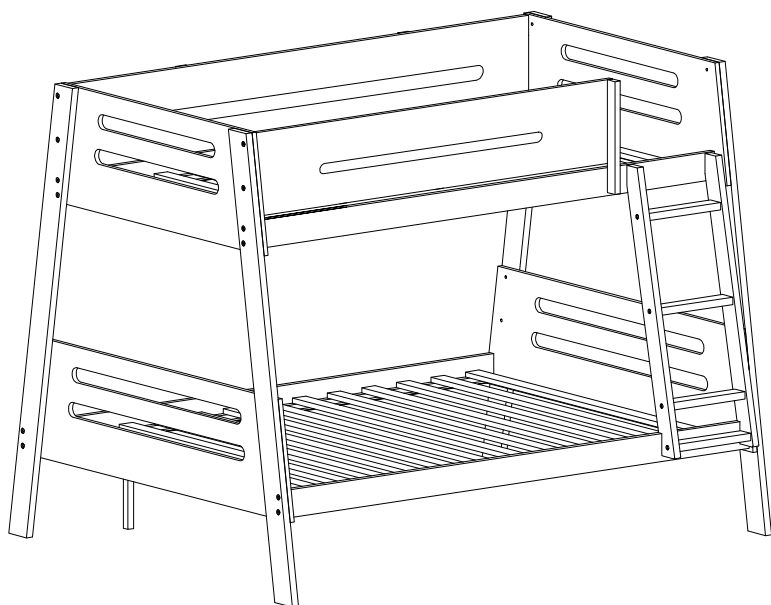
Step 7 / Étape 7

D=3pcs



Step 8 / Étape 8

I=5pcs



## SAFETY WARNING

Homelegance puts your child's safety as a Top Priority. Our bunk beds have been tested by an independent laboratory and certified to be in compliance with ASTM F-1427, "Standard Consumer Safety Specification for Bunk Beds" and U.S. Government specifications 16 Code of Federal Regulations, Parts 1213 and 1513.

1. Follow the information on the warning attached to the upper end structure and on the carton. Do not remove this label.
2. Always use the recommended size mattress or mattress support or both to help prevent the likelihood of entrapment or falls.
3. Ensure thickness of mattress does not exceed 6" and mattress surface at least 5" inches below upper edge of guardrails.
4. Do not allow children less than six years of age to use the upper bunk.
5. Prohibit more than one person on upper bunk.
6. Periodically check and ensure that the guardrail, ladder and other components are in their proper position, free from damage, and that all connectors are tight.
7. Do not allow horseplay on or under the bed and prohibit jumping on the bed.
8. Always use the ladder for entering and leaving the upper bunk.
9. Do not use substitute parts. Contact the manufacturer or dealer for replacement parts.
10. Use of a night light may provide added safety precaution for a child using upper bunk.
11. If the bunk bed will be placed next to a wall, the guardrail that runs the full length of the bed should be placed against the wall to prevent entrapment between the bed and the wall. (This applies only to bunk beds without two full-length guardrails.)
12. Always use guardrails or both long sides of the upper bunk.
13. The use of water or sleep flotation mattress is prohibited.
14. Keep these instructions for future reference.

### STRANGULATION HAZARD:

15. Never attach or hang items to any part of the bunk bed that are not designed for use with the bed for example, but not limited to hooks, belts, and jump ropes.

### SIZE OF MATTRESS AND FOUNDATION:

16. Mattress dimension for upper bunk: 37  $\frac{1}{2}$ " - 38  $\frac{1}{2}$ " in width, 74" - 75" in length and thickness of mattress does not exceed 6".

17. Mattress dimension for lower bunk: 53  $\frac{1}{2}$ " in width, 75" in length and 9" in thickness.

Note: There must be at least 5" from mattress sleeping surface to top edge of guardrail.

### REPLACEMENT PARTS

Replacement parts, including additional guardrails may be obtained from any Homelegance Dealer.