

ASSEMBLY INSTRUCTIONS

B2045PMFF-1 : FULL/FULL BUNK BED HB/FB
 B2045PMFF-2 : FULL/FULL BUNK BED SIDERAIL, GUARDRAILS, LADDER
 B2045PMFF-SL : FULL/FULL BUNK BED SLATS(26PCS)





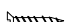


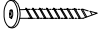
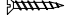

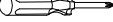
▲ It is recommended to install protective pads under all legs and supports to avoid damage or scratches when placing furniture on a wood floor or other hard surface, and to limit indentation and prevent discoloration if placing on carpet.

▲ Il est recommandé de placer des coussins protecteurs sous tous les pieds et toutes les bases des meubles pour éviter d'endommager ou d'égratigner les planchers en bois ou autres surfaces dures, es pour limiter l'empreinte et empêcher la décoloration quand les meubles reposent sur la moquette.

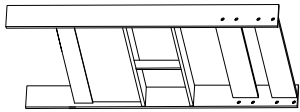
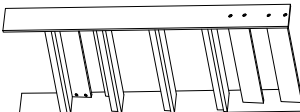
DO NOT TIGHTEN BOLTS UNTIL COMPLETELY ASSEMBLED.
 NE PAS SERRER LES BOULONS JUSQU'A CE QUE LE MONTAGE SOIT COMPLETMENT TERMINE.

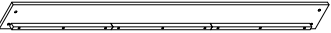
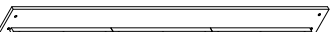


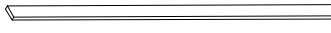
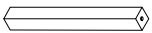
HARDWARE LIST

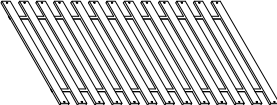
/ LISTE DE QUINCAILERIE: (Packed in 2045PMFF-1 carton)

A		Bolt Ø1/4"x75mm	8pcs
B			8pcs
C		Bolt Ø1/4"x35mm	16pcs
D		Wooden Pegs #10x40mm	4pcs
E		Screw 4x30mm	62pcs
F		Alen Key 4mm	1pc
G		Ø1/4"x20mm	16pcs
H		Bolt Screw Ø1/4"x50mm (D13)	3pcs
I		Screw 3x15mm	12pcs
J		Pass	2pcs
K		Screw Driver (not Included)	1pc

PART LIST :

B2045PMFF-1 Headboard L/R			
1		Headboard (L)	1pc
2		Headboard (R)	1pc

B2045PMFF-2 Side Rail , Guard Rail , Center Support			
3		Upper Side Rail	2pcs
4		Lower Side Rail	2pcs
5		Long Guard Rail	2pcs
7		Center Support	1pc
8		Center Support	1pc
9		Center Support Leg	3pcs

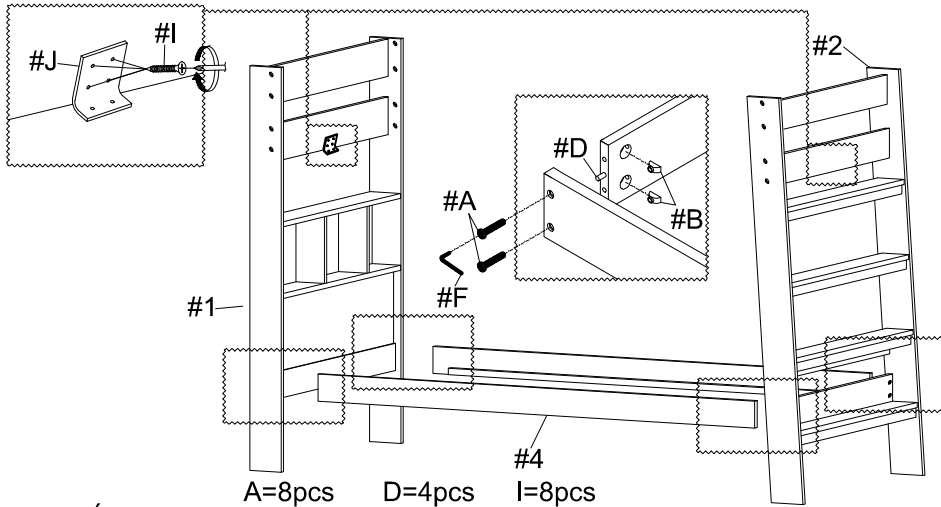
B2045PMFF-3 Slats (13pcs)			
6		Slat (13pcs)	2set



HOMELEGANCE

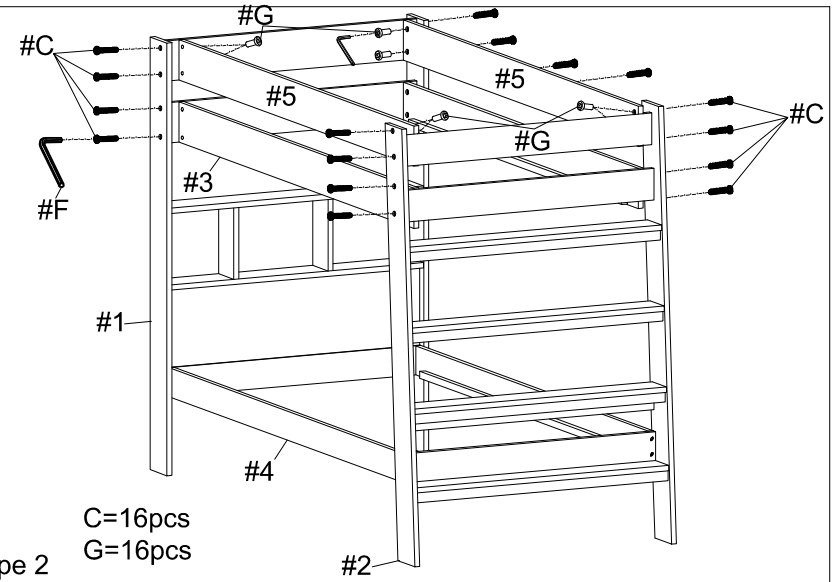
ASSEMBLY INSTRUCTIONS

B2045PMFF



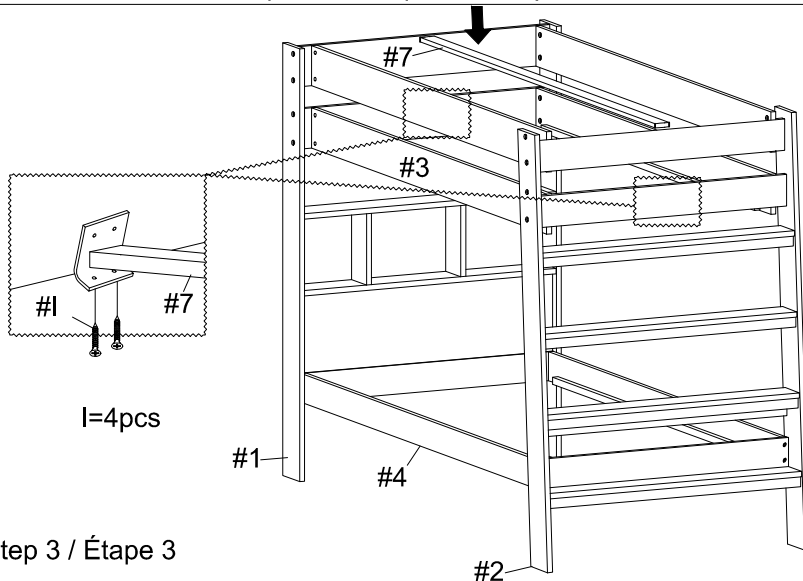
Step 1 / Étape 1

A=8pcs D=4pcs I=8pcs
 B=8pcs F=1pc J=2pcs



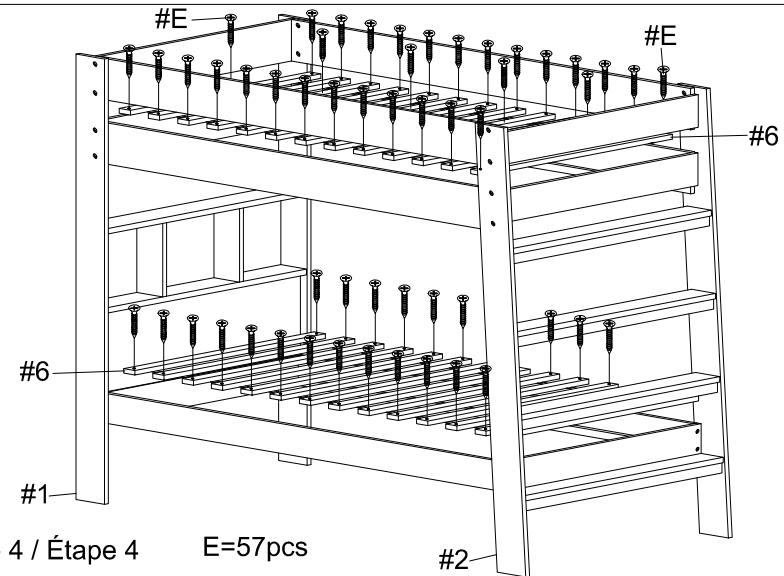
Step 2 / Étape 2

C=16pcs
 G=16pcs



Step 3 / Étape 3

I=4pcs

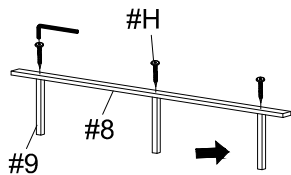
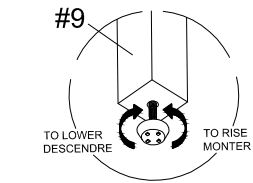


Step 4 / Étape 4

E=57pcs

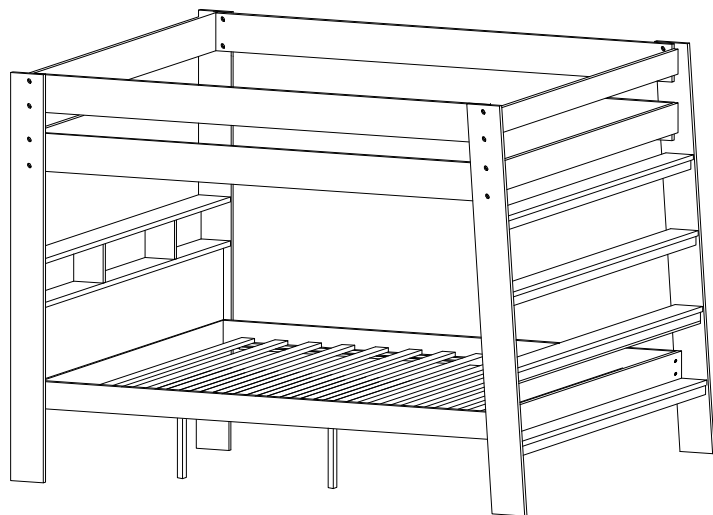
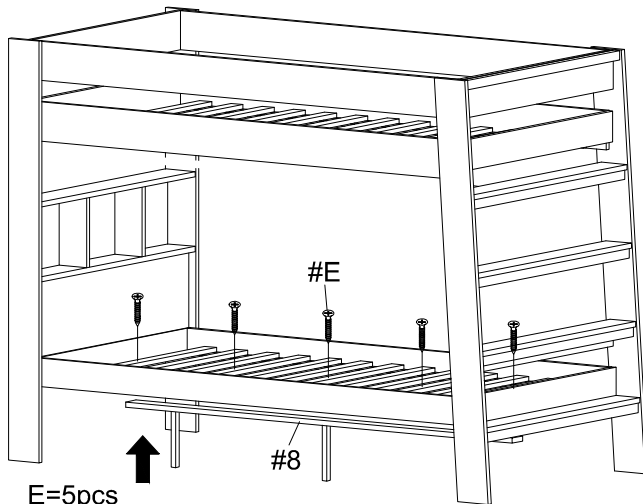


HOMELEGANCE



Step 5 / Étape 5

E=5pcs
H=3pcs



SAFETY WARNING

Homelegance puts your child's safety as a Top Priority. Our bunk beds have been tested by an independent laboratory and certified to be in compliance with ASTM F-1427, "Standard Consumer Safety Specification for Bunk Beds" and U.S. Government specifications 16 Code of Federal Regulations, Parts 1213 and 1513.

1. Follow the information on the warning attached to the upper end structure and on the carton. Do not remove this label.
2. Always use the recommended size mattress or mattress support or both to help prevent the likelihood of entrapment or falls.
3. Ensure thickness of mattress does not exceed 6" and mattress surface at least 5" inches below upper edge of guardrails.
4. Do not allow children less than six years of age to use the upper bunk.
5. Prohibit more than one person on upper bunk.
6. Periodically check and ensure that the guardrail, ladder and other components are in their proper position, free from damage, and that all connectors are tight.
7. Do not allow horseplay on or under the bed and prohibit jumping on the bed.
8. Always use the ladder for entering and leaving the upper bunk.
9. Do not use substitute parts. Contact the manufacturer or dealer for replacement parts.
10. Use of a night light may provide added safety precaution for a child using upper bunk.
11. If the bunk bed will be placed next to a wall, the guardrail that runs the full length of the bed should be placed against the wall to prevent entrapment between the bed and the wall. (This applies only to bunk beds without two full-length guardrails.)
12. Always use guardrails or both long sides of the upper bunk.
13. The use of water or sleep flotation mattress is prohibited.
14. Keep these instructions for future reference.

STRANGULATION HAZARD:

15. Never attach or hang items to any part of the bunk bed that are not designed for use with the bed for example, but not limited to hooks, belts, and jump ropes.

SIZE OF MATTRESS AND FOUNDATION:

16. Mattress dimension for upper bunk: 37 1/2" - 38 1/2" in width, 74" - 75" in length and thickness of mattress does not exceed 6".

17. Mattress dimension for lower bunk: 53 1/2" in width, 75" in length and 9" in thickness.

Note: There must be at least 5" from mattress sleeping surface to top edge of guardrail.

REPLACEMENT PARTS

Replacement parts, including additional guardrails may be obtained from any Homelegance Dealer.