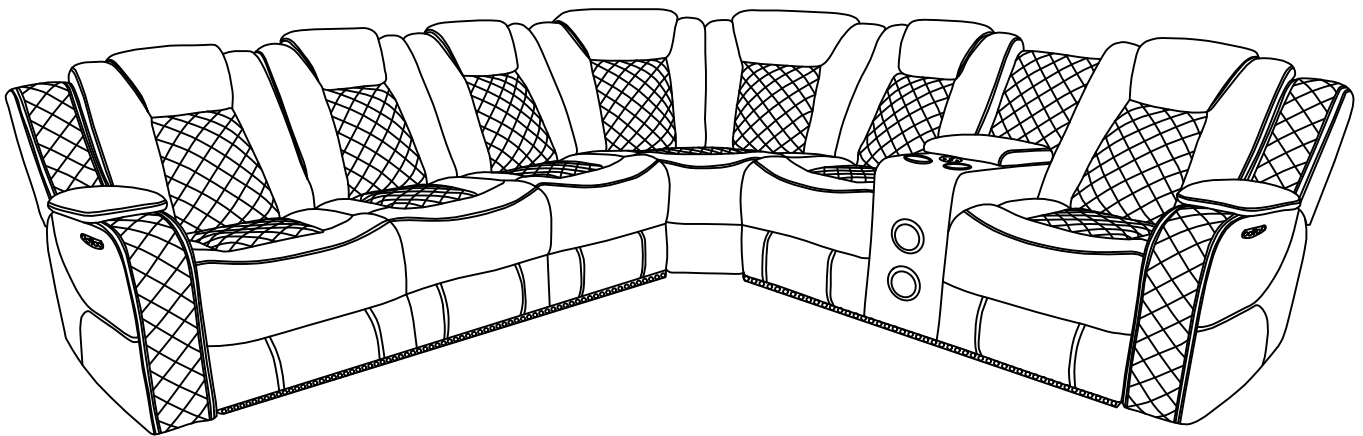


ASSEMBLY INSTRUCTION

LSF 1 POWER RECLINER WITH POWER HEADREST SOFA-DROPDOWN TABLE- SOCKET WITH WIRELESS CHARGER- SS CUP HOLDER, USB SWITCH, STORAGE ARM, LED LIGHT STRIP SH8895GRW/BLK-2L

Caution: Please read instructions thoroughly before unpacking assembly parts. Sharp, exposed staple tips can cause injury, therefore, for your protection, please remove any exposed staples used in packing.







1. We recommend that you should assemble this product with the assistance of another person; this will make assembly easier, and will help to eliminate damage to the product or injury to persons during assembly.
2. Be sure to check all packing materials carefully for small parts that may have come loose inside the carton during shipment.
3. Please do not over tighten screws or bolts.
4. Please put all parts on a non-abrasive floor before assembly, and follow the assembly steps to assemble your newly purchased product correctly and efficiently.



ASSEMBLY INSTRUCTION

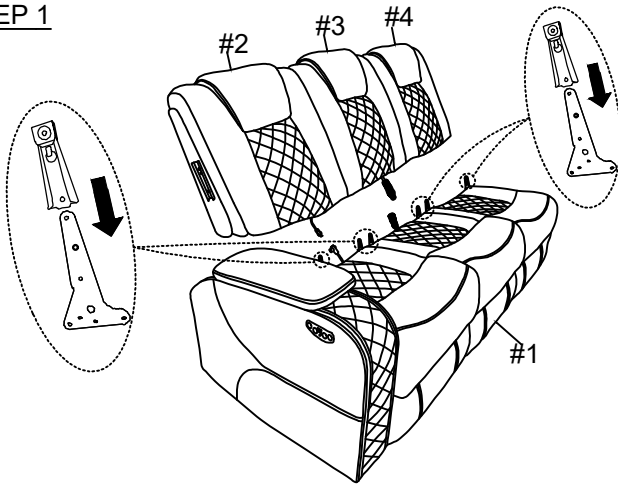
LSF 1 POWER RECLINER WITH POWER HEADREST SOFA-DROPDOWN TABLE- SOCKET WITH WIRELESS CHARGER- SS CUP HOLDER, USB SWITCH, STORAGE ARM, LED LIGHT STRIP SH8895GRW/BLK-2L

PARTS LIST:

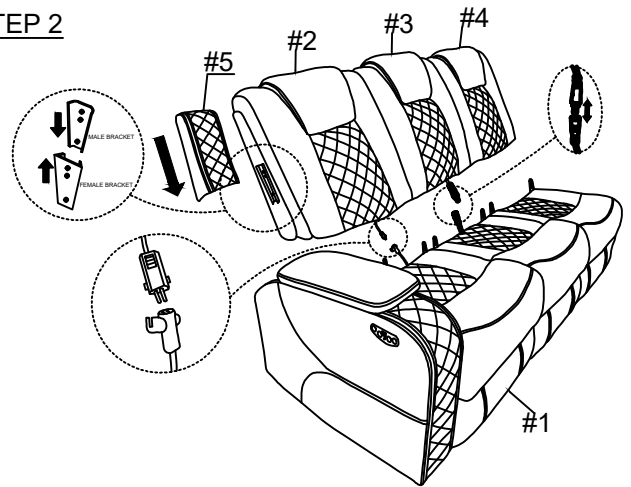
NO.	DESCRIPTION	SKETCH	QTY	NO.	DESCRIPTION	SKETCH	QTY
1	Seat		1PC	4	Right Back Cushion		1PC
2	Left Back Cushion		1PC	5	LSF Ear		1PC
3	Middle Back Cushion		1PC	6	Plug adaptor with wire		1PC

ASSEMBLY STEPS:

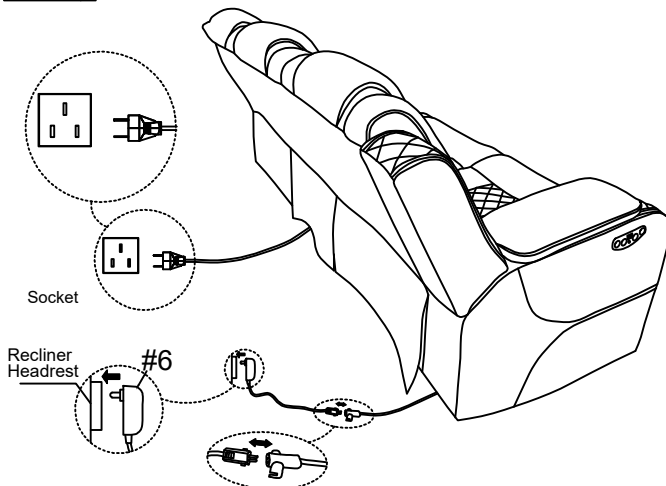
STEP 1



STEP 2

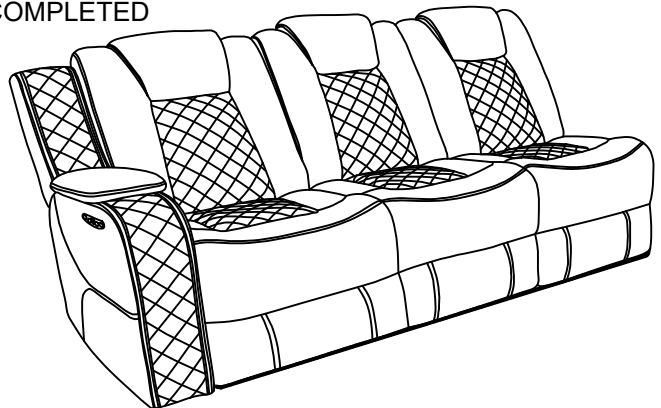


STEP 3



STEP 4

COMPLETED

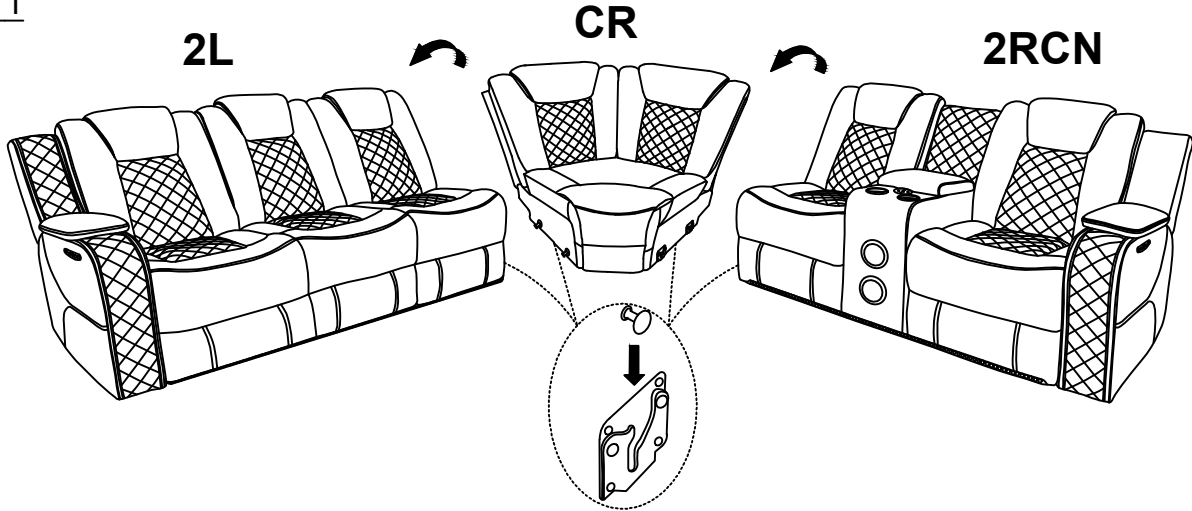


ASSEMBLY INSTRUCTION

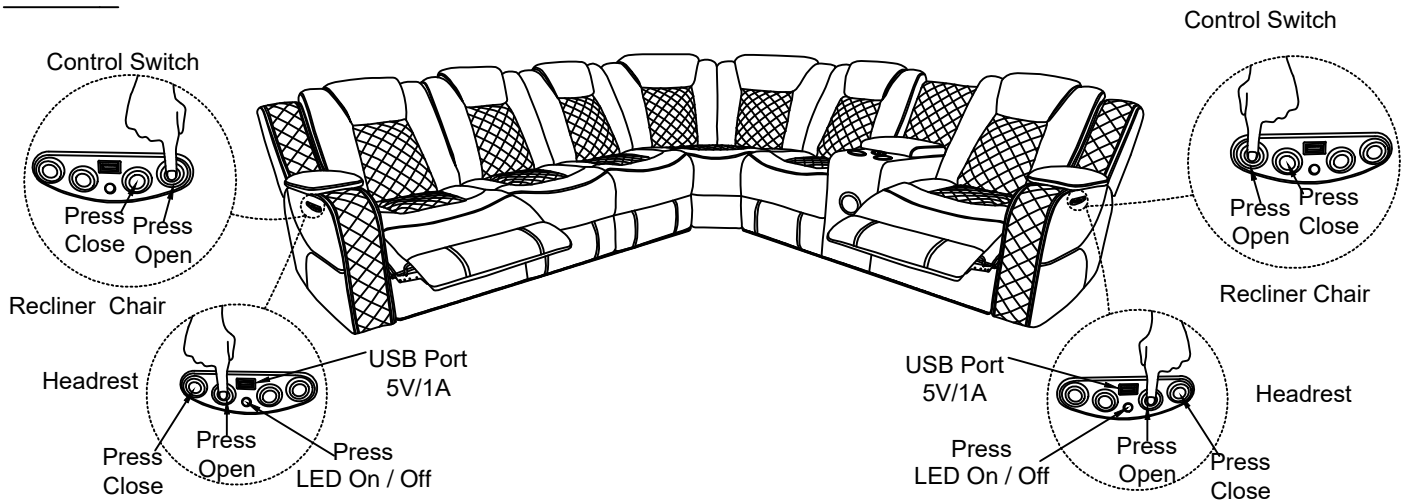
SECTIONAL

SH8895GRW/BLK

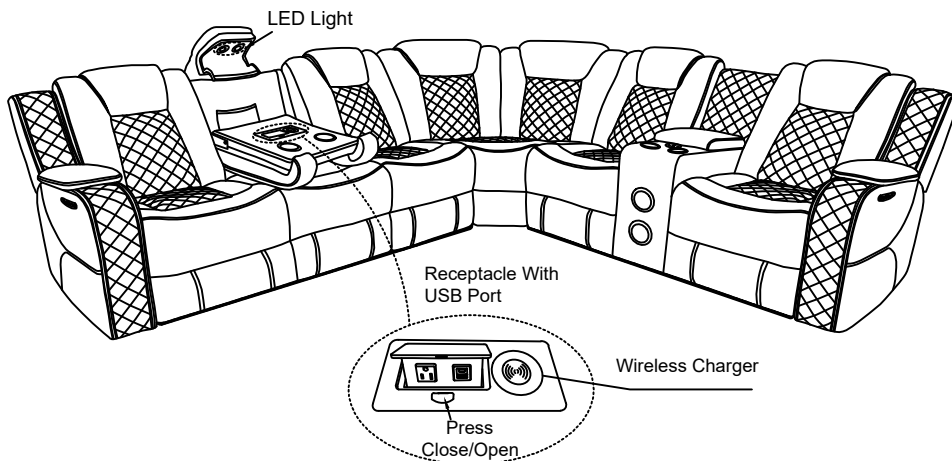
STEP 1



STEP 2



STEP 3



ASSEMBLY COMPLETED