


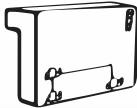
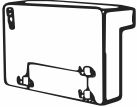



ASSEMBLY INSTRUCTION

ITEM NO.:8389BRW/CHC/DGY-1
CHAIR

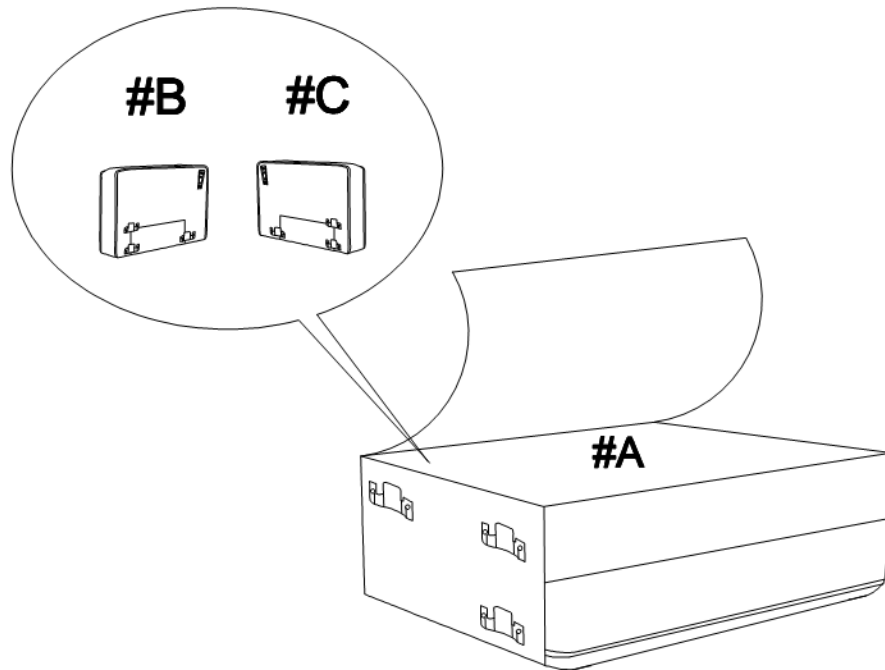


Armrests are stored under the seat bottom. Legs are in the component box. Please take them out for assembly

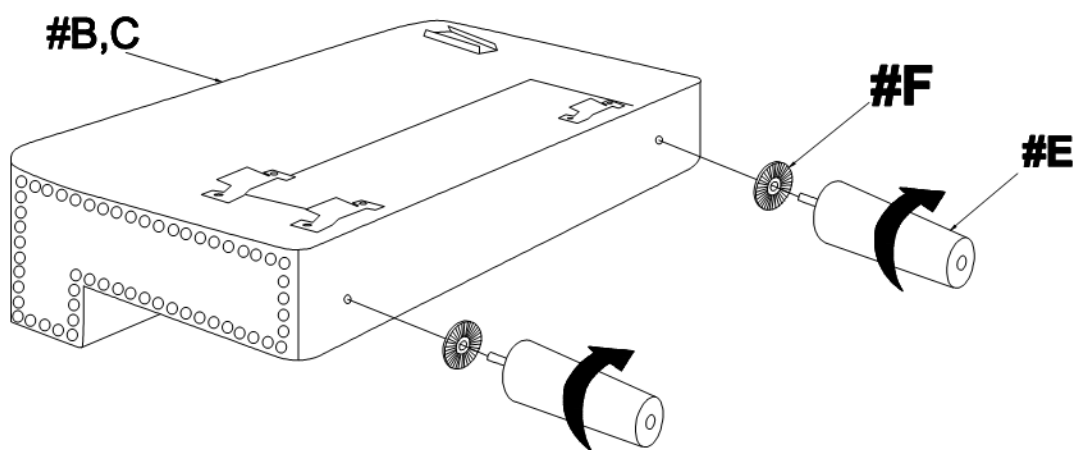
NOTE: Do not use power tools for assembly. Power tools increase the risk of over tightening which leads to splitting or cracking the wood.

NO.	DRAWING	DESCRIPTION	QTY
A		Seat	1 PC
B		LSF Armrest	1 PC
C		RSF Armrest	1 PC
D		Backrest	1 PC
E		Plastic leg (Φ6cm xH 15cm)	4 PCS
F		Plastic washer (Φ5cm)	4 PCS

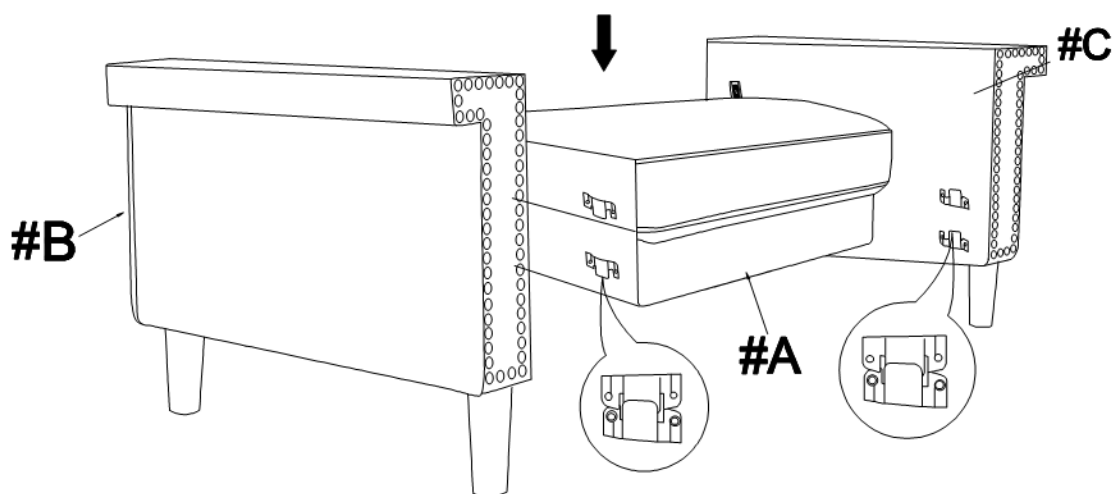
STEP 1:



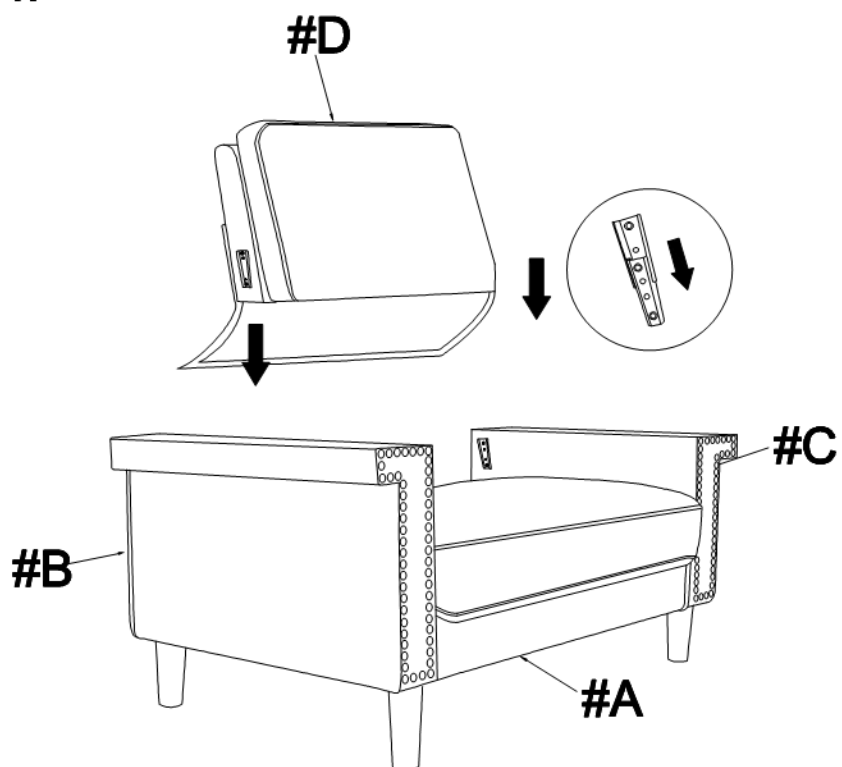
STEP 2:



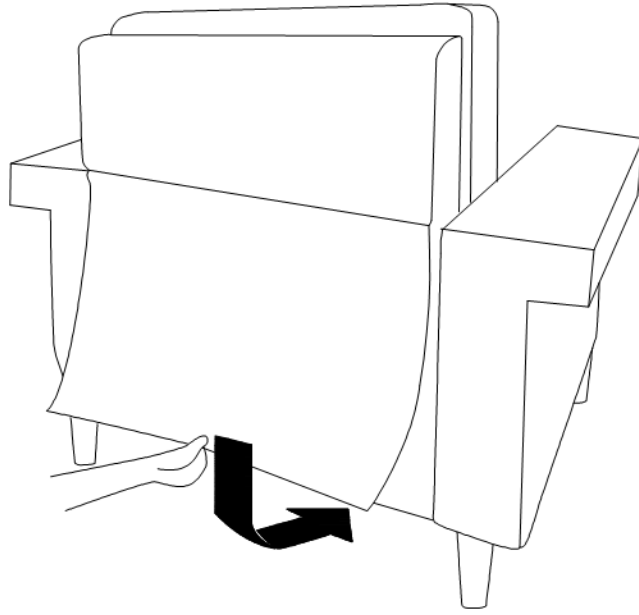
STEP 3:



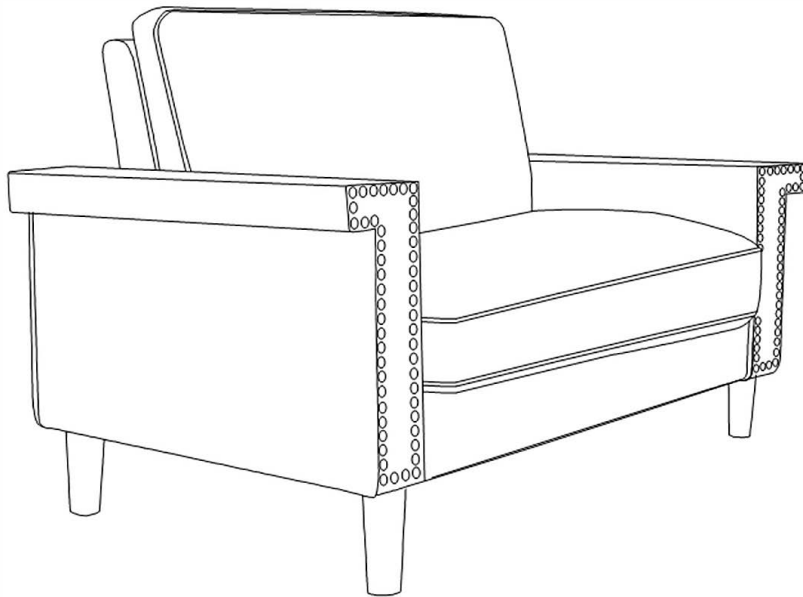
STEP 4:



STEP 5:



COMPLETED



Care Instructions for PU Furniture:

In order to maintain the original appearance of your PU please follow the simple care procedures below:

- Avoid exposing furniture directly to sunlight or heating and air conditioning outlets. Sunlight and/or exposure to heating and air conditioning outlets will fade/damage PU.
- Vacuum or wipe with a soft cloth to remove dust.
- Hardware may loosen over time. Periodically check to make sure all connections are tight. Re-tighten if necessary.



For items used on wooden floor, hard surfaces or carpets, it is recommended to install protective pads under all legs and supports to prevent damages, scratches and discoloration.