

# ASSEMBLY INSTRUCTION

ITEM NO.:8358TP-3

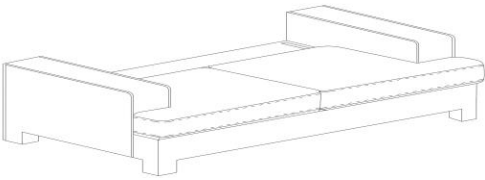
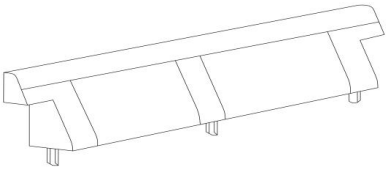
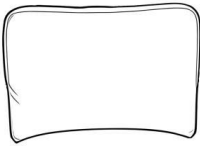

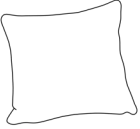
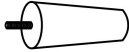

SOFA



The support leg & pillows are stored in the bottom of the seat. Please take out for assembly.

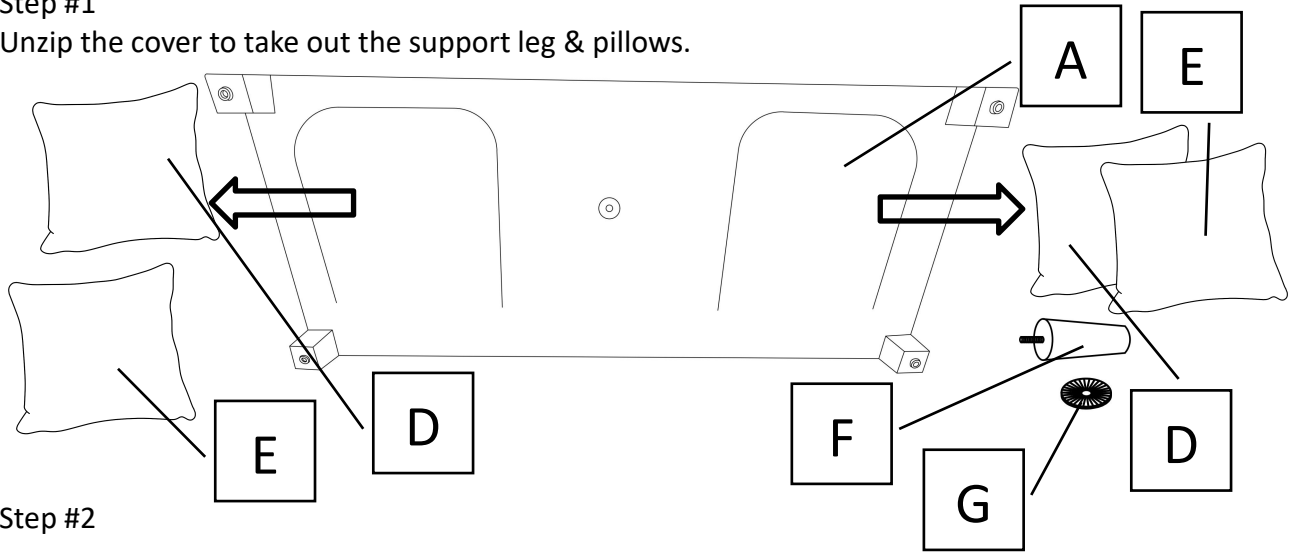
Note: Do not use power tools for assembly. Power tools increase the risk of over tightening which lead to splitting or cracking the wood.

## COMPONENT LIST

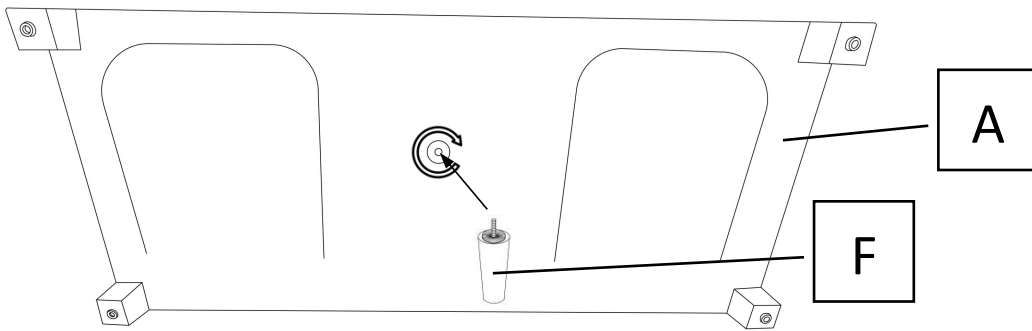
No	Drawing	Description	Qty
A		SEAT	1 PC
B		BACKREST	1 PC
C		BACK CUSHION	2 PCS
D		SOLID PILLOW (20" × 20")	2 PCS
E		PATTERNED PILLOW (20" × 20")	2 PCS
F		SUPPORT LEG (Ø6cm x H8.5cm)	1 PC
G		WASHER	1 PC

Step #1

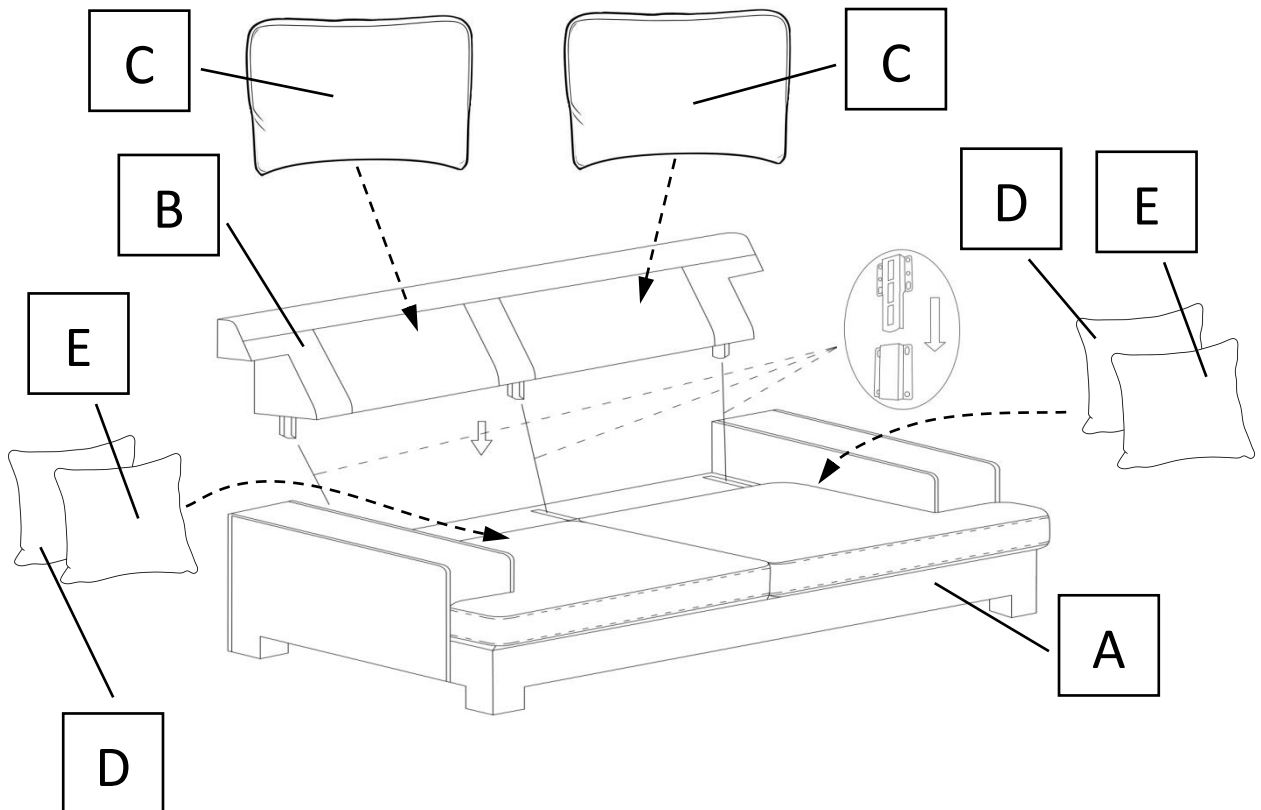
Unzip the cover to take out the support leg & pillows.



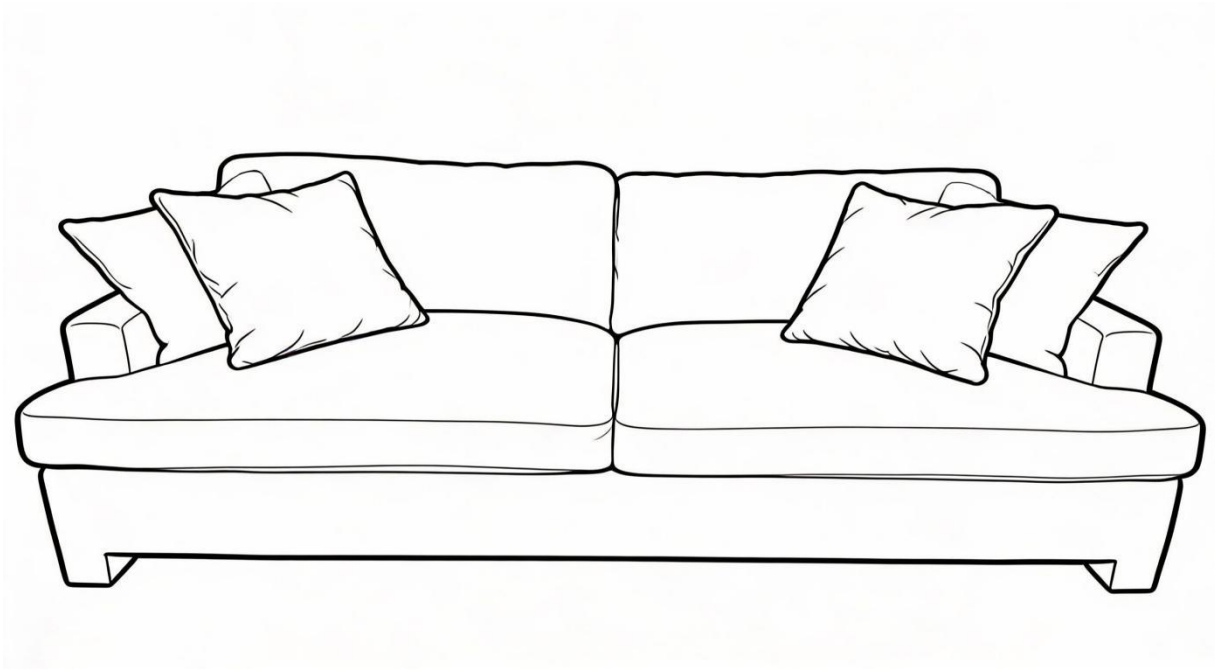
Step #2



Step #3



COMPLETED



### **Care Instruction for Chenille Furniture:**

In order to maintain the original appearance of your Chenille Furniture, please follow below simple care procedures:

- Avoid exposing furniture directly to sunlight or heating and air conditioning outlets. Sunlight and or exposure to heating and air conditioning outlets will fade/damage Chenille.
- Vacuum or wipe with a soft cloth to remove dust.
- Hardware may loosen over time. Periodically check to make sure all connections are tight, Re-tighten if necessary.



For items use on wooden floor, hard surfaces or carpets, it is recommended to Install protective pads under all legs and supports to avoid/prevent from damages/scratches and discoloration.