

ASSEMBLY INSTRUCTION

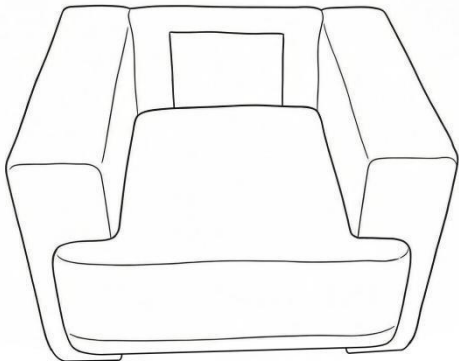
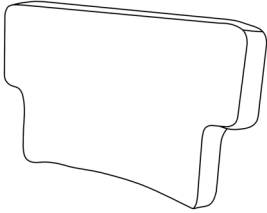
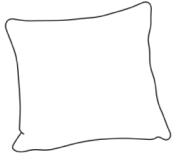
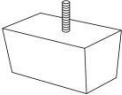

ITEM NO.:8357BEG-1

CHAIR

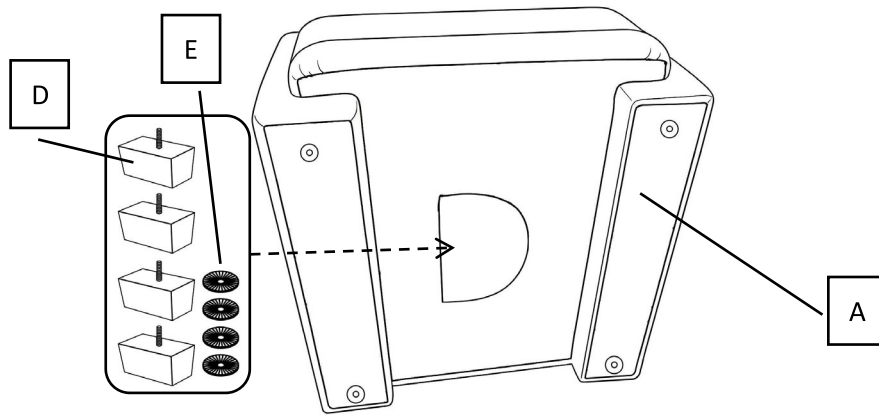


The legs are stored in the bottom of the seat. Back cushion and pillow are stored on top of the seat cushion. Please take out for assembly.
 Note: Do not use power tools for assembly. Power tools increase the risk of over tightening which lead to splitting or cracking the wood.

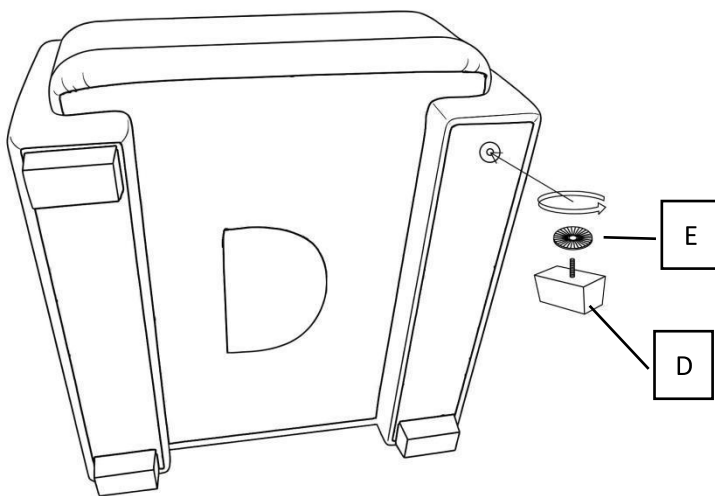
COMPONENT LIST

No	Drawing	Description	Qty
A		SEAT	1 PC
B		BACK CUSHION	1 PC
C		PATTERNED PILLOW (18" × 18")	1 PC
D		WOODEN LEG (15cm × 7cm × H 6cm)	4 PCS
E		PLASTIC WASHER Φ 1-7/8"	4 PC

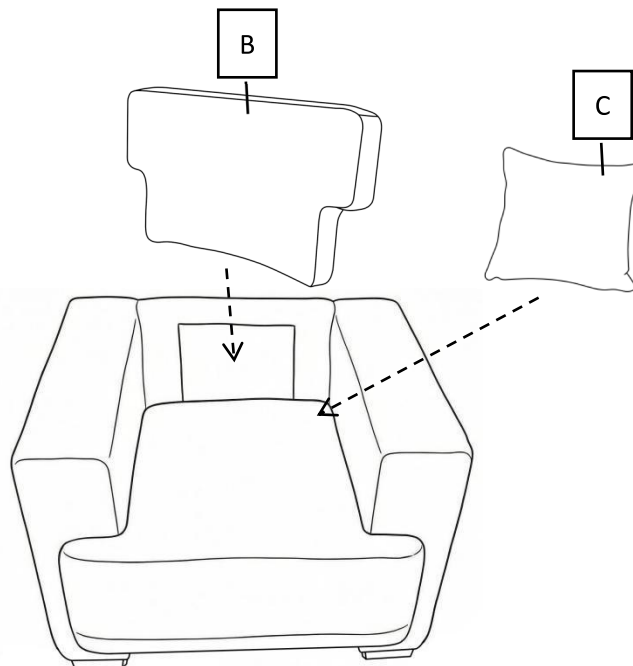
Step #1



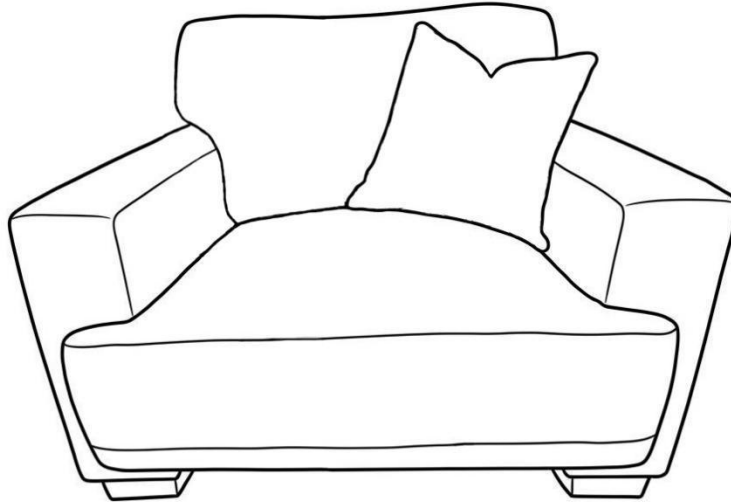
Step #2



Step #3



COMPLETED



Care Instruction for Chenille Furniture:

In order to maintain the original appearance of your Chenille Furniture, please follow below simple care procedures:

- Avoid exposing furniture directly to sunlight or heating and air conditioning outlets. Sunlight and or exposure to heating and air conditioning outlets will fade/damage Chenille.
- Vacuum or wipe with a soft cloth to remove dust.
- Hardware may loosen over time. Periodically check to make sure all connections are tight, Re-tighten if necessary.



For items use on wooden floor, hard surfaces or carpets, it is recommended to Install protective pads under all legs and supports to avoid/prevent from damages/scratches and discoloration.