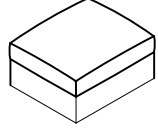
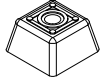
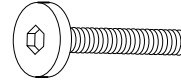


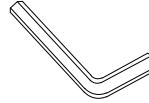


ASSEMBLING INSTRUCTIONS

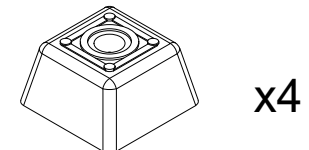
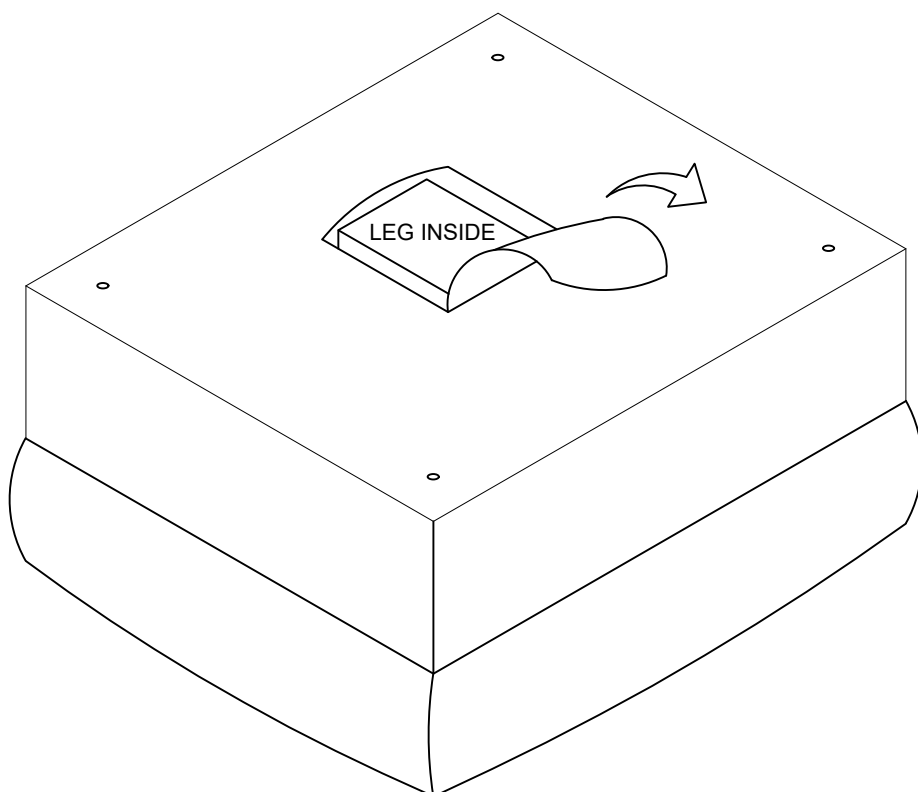
ITEM NO: 8310NBE-4
OTTOMAN

! The legs and Hardware are stored in the bottom of the ottoman, please take out for assembly.
Note: Do not use power tools for assembly. Power tools increase the risk of over tightening which lead to splitting or cracking the wood.

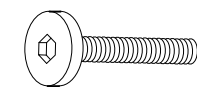
COMPONENT LIST			
PART	DRAWING	DESCRIPTION	QTY
A		Ottoman	1 PC
B		Plastic Leg 4-1/8"x4-1/8"x2-1/3"	4 PCS

HARDWARE LIST			
PART	DRAWING	DESCRIPTION	QTY
1		Bolt Ø5/16"x2 -1/2"	4 PCS
2		Spring Washer Ø5/16"	4 PCS
3		Flat Washer Ø5/16"x3/4"	4 PCS
4		Allen KeyM4 2-1/3"	1 PC

STEP 1:



x4



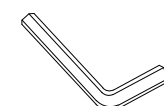
x4



x4



x4

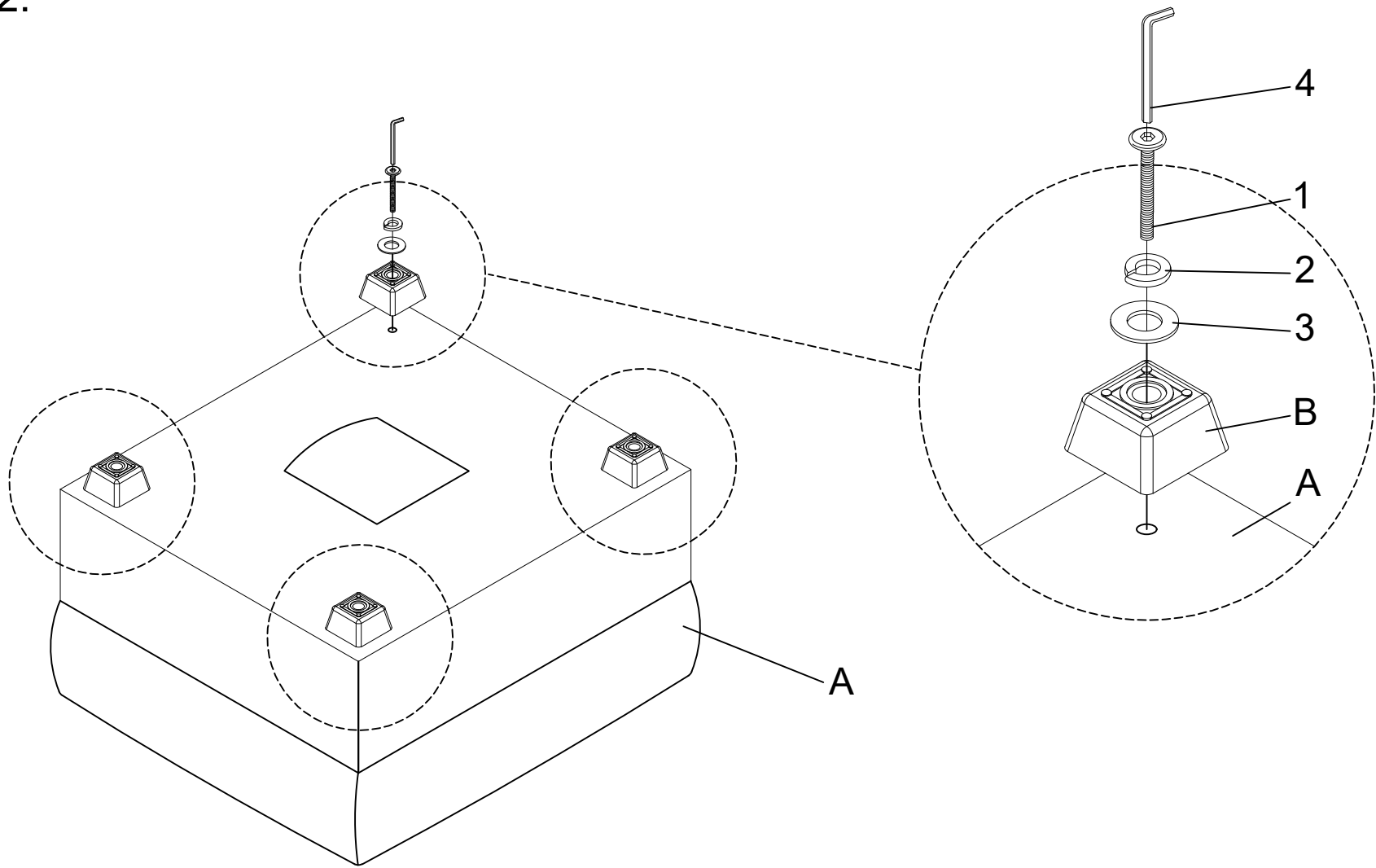


x1

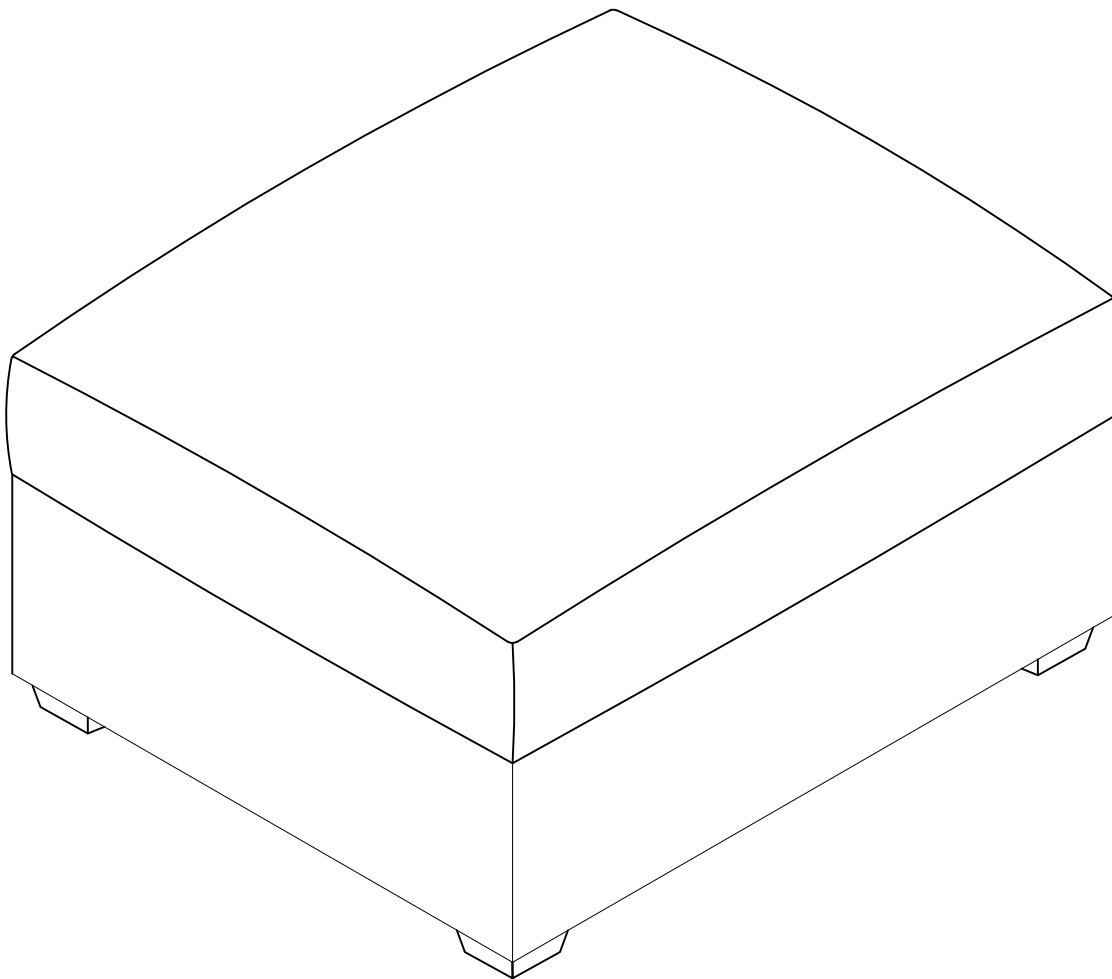
ASSEMBLING INSTRUCTIONS

ITEM NO: 8310NBE-4
OTTOMAN

STEP 2:



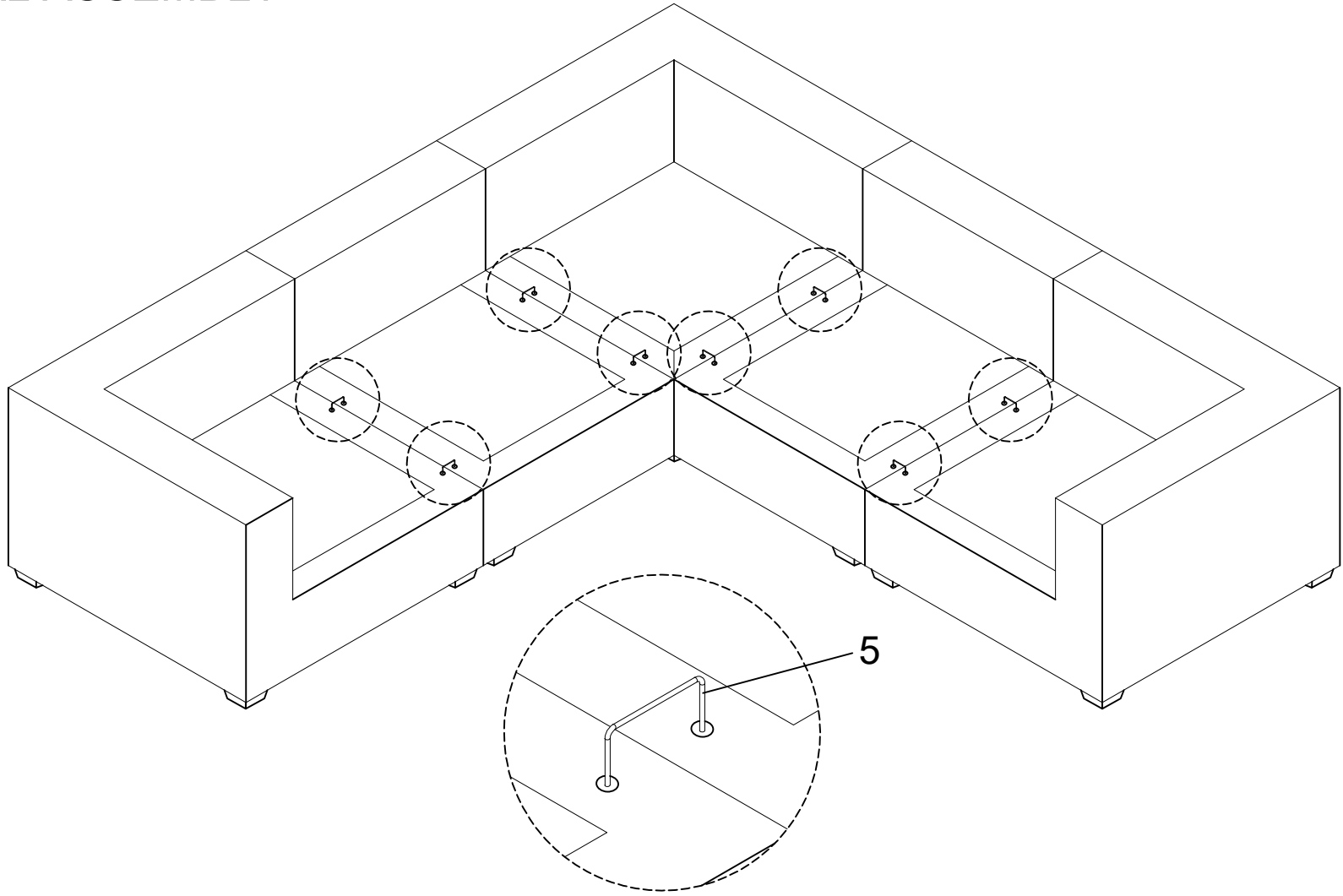
COMPLETED.



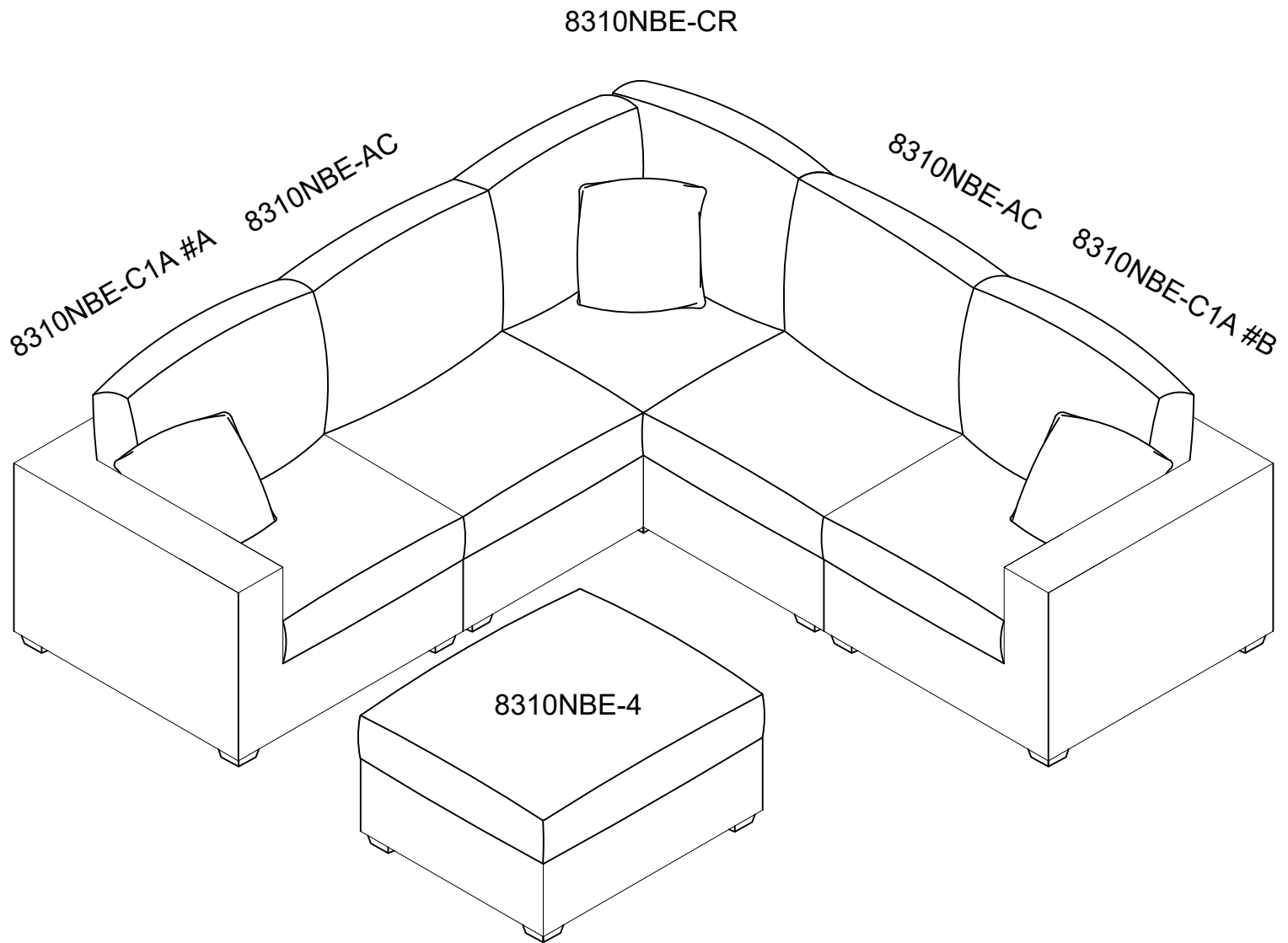
ASSEMBLING INSTRUCTIONS

ITEM NO: 8310NBE

SECTIONAL ASSEMBLY




COMPLETED.



Care Instruction for Chenille Furniture:

In order to maintain the original appearance of your Chenille furniture, please follow below simple care procedures:

- Avoid exposing furniture directly to sunlight or heating and air conditioning outlets. Sunlight and or exposure to heating and air conditioning outlets will fade/damage Chenille.
- Vacuum or wipe with a soft cloth to remove dust.
- Hardware may loosen over time. Periodically check to make sure all connections are tight, Re-tighten if necessary

 For item use on wooden floor, hard surfaces or carpets, it is recommended to install protective pads under all legs and supports to avoid/prevent from damages/scratches and discoloration.