


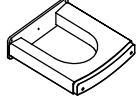


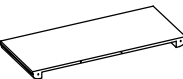



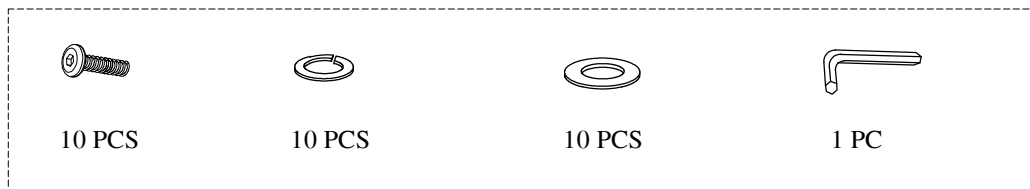
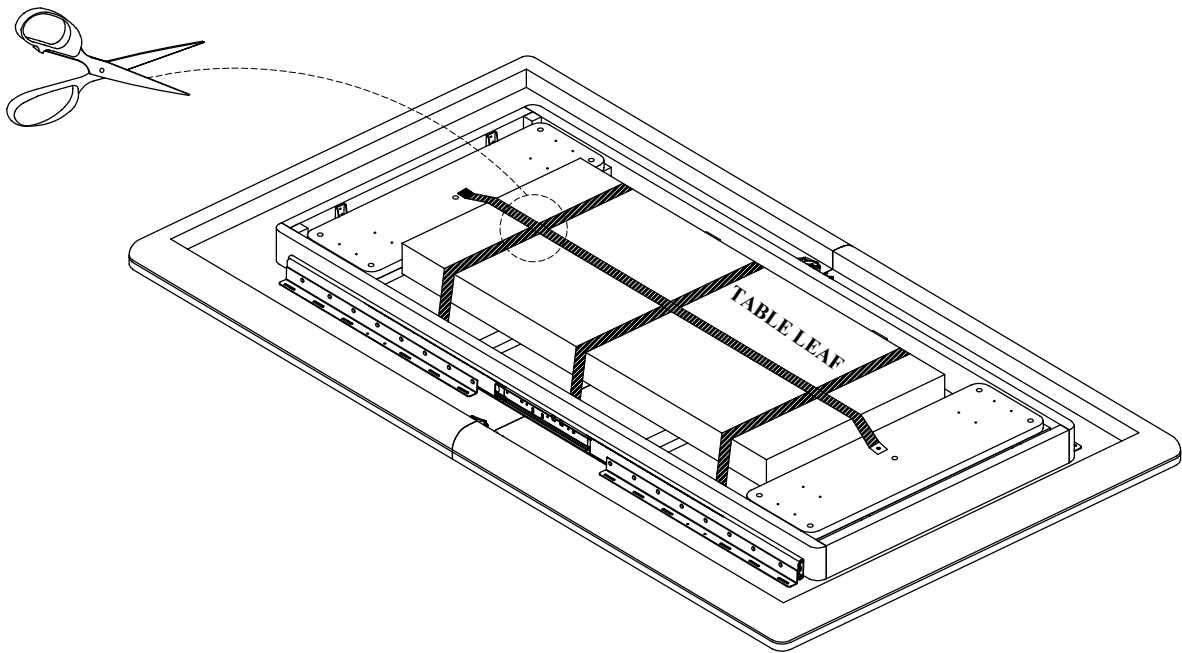


# ASSEMBLY INSTRUCTION

## ITEM NO: 6099-94 (1/2) DINING TABLE TOP 6099-94B (2/2) DINING TABLE BASE

NO.	PARTS LIST		Q'TY	NO.	HARDWARE LIST (PACKED IN 6099-94)		Q'TY
A		TABLE TOP	1 PC	D		ALLEN BOLT 5/16 x40mm	10 PCS
				E		SPRING WASHER 5/16 x1/2"ODx1/16"TK	10 PCS
B		LEGS	2 PCS	F		FLAT WASHER 5/16 x7/8"ODx1/16"TK	10 PCS
				G		ALLEN KEY 1/6"	1 PC
C		LEAF	1 PC	TOOLS REQUIRED ( NOT PROVIDED)			
				Description		sketch	
				Phillips screwdriver			

**Step 1** Loosen the screws and carefully take out the extension leaf pack that is attached inside the carton box  
Show the sketch as below.



### IMPORTANT SAFETY & USE INFORMATION

- ▲ It is recommended to install protective pads under all legs and supports to prevent damage or scratches when placing furniture on wood or other hard floor surfaces.
- ▲ To limit indentation or discoloration, use protective pads when placing on carpet.
- ▲ **DO NOT TIGHTEN BOLTS UNTIL COMPLETELY ASSEMBLED.**
- ▲ Hardware may loosen over time. Periodically check all connections and re-tighten if necessary.

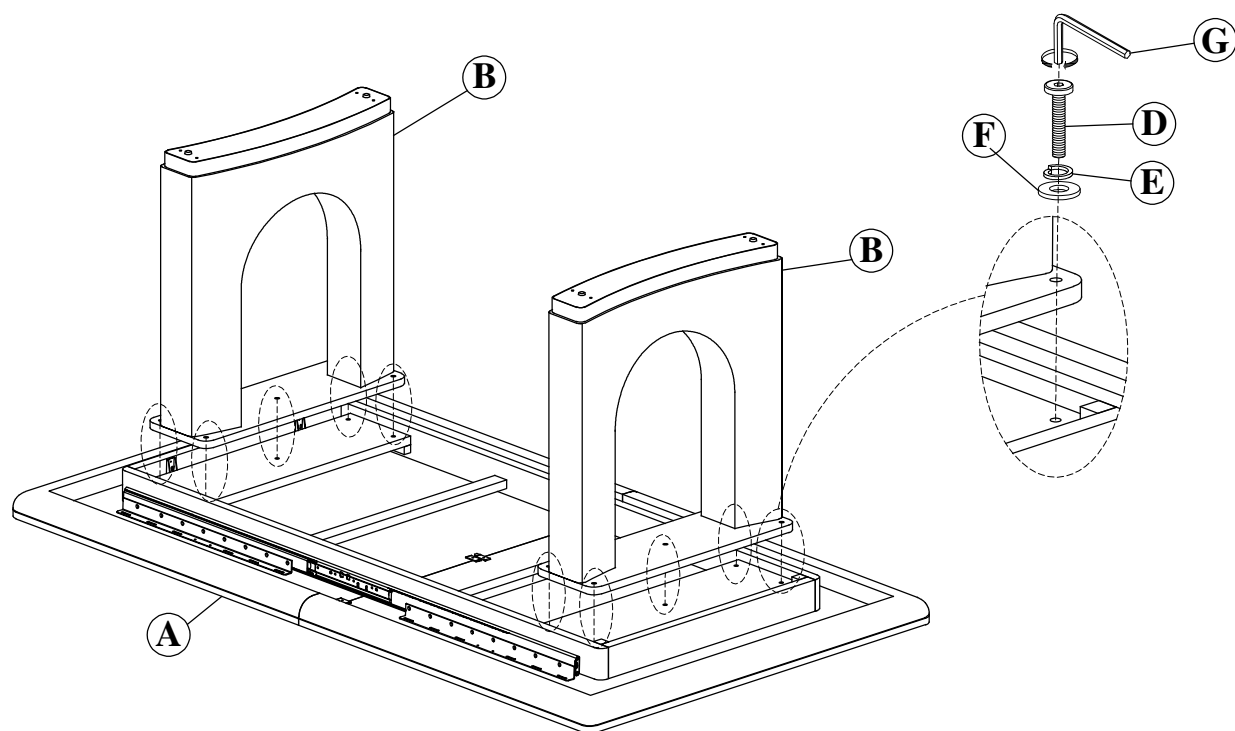


# ASSEMBLY INSTRUCTION

## ITEM NO: 6099-94 (1/2) DINING TABLE TOP

## 6099-94B (2/2) DINING TABLE BASE

**Step 2** Place the table top (A) upside down on a soft surface. Position the table base (B) and secure using Allen bolts (D) with spring washers (E) and flat washers (F). Use the Allen key (G) to tighten.



### IMPORTANT SAFETY & USE INFORMATION

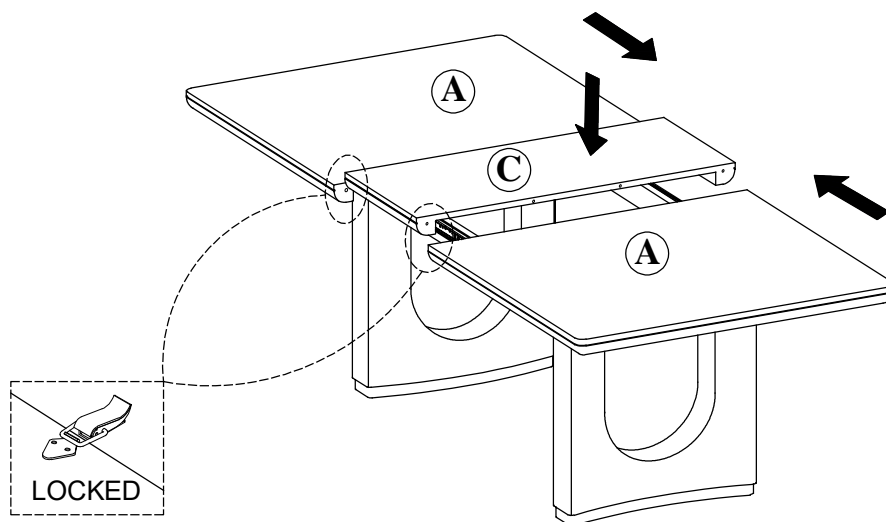
- ▲ It is recommended to install protective pads under all legs and supports to prevent damage or scratches when placing furniture on wood or other hard floor surfaces.
- ▲ To limit indentation or discoloration, use protective pads when placing on carpet.
- ▲ **DO NOT TIGHTEN BOLTS UNTIL COMPLETELY ASSEMBLED.**
- ▲ Hardware may loosen over time. Periodically check all connections and re-tighten if necessary.



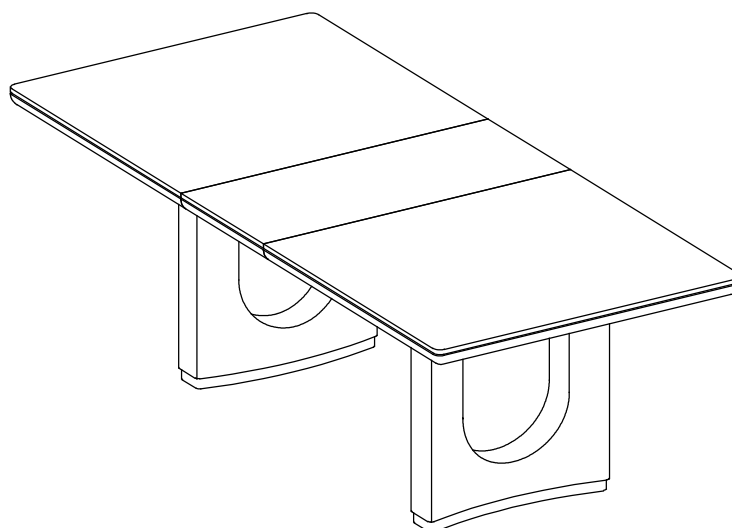
# ASSEMBLY INSTRUCTION

## ITEM NO: 6099-94 (1/2) DINING TABLE TOP 6099-94B (2/2) DINING TABLE BASE

**Step 3** Locate the locking mechanism, slide the table apart, insert the extension leaf (C), then lock it as shown. Ensure the table top and leaf are aligned and secure.



### Option 1: Table with leaf



#### IMPORTANT SAFETY & USE INFORMATION

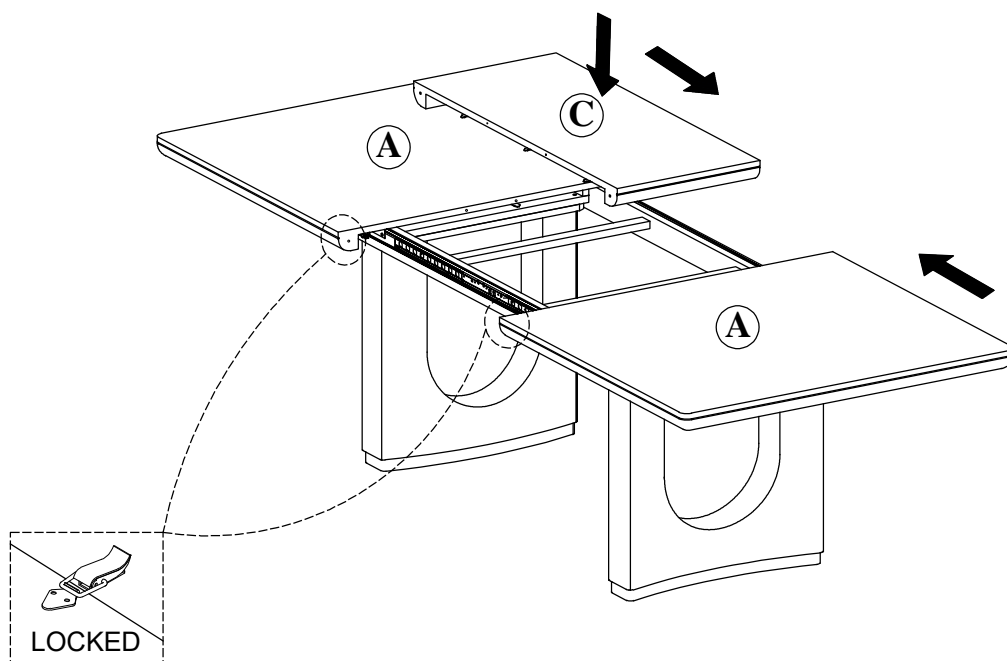
- ▲ It is recommended to install protective pads under all legs and supports to prevent damage or scratches when placing furniture on wood or other hard floor surfaces.
- ▲ To limit indentation or discoloration, use protective pads when placing on carpet.
- ▲ **DO NOT TIGHTEN BOLTS UNTIL COMPLETELY ASSEMBLED.**
- ▲ Hardware may loosen over time. Periodically check all connections and re-tighten if necessary.



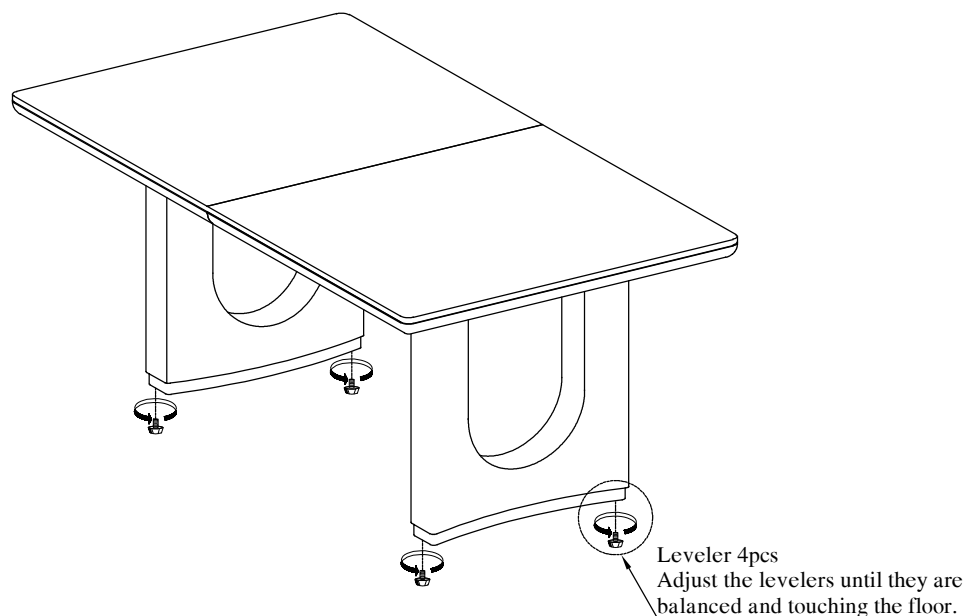
# ASSEMBLY INSTRUCTION

## ITEM NO: 6099-94 (1/2) DINING TABLE TOP 6099-94B (2/2) DINING TABLE BASE

**Step 4** Unlock the locking mechanism and slide both table tops (A) outward. Insert the leaf (C) into the center opening. Push the table tops back toward the center until they meet the extension leaf evenly. Make sure all edges are aligned, then engage the locking mechanism to secure the table in place.



### Option 2: Table without leaf



### IMPORTANT SAFETY & USE INFORMATION

- ▲ It is recommended to install protective pads under all legs and supports to prevent damage or scratches when placing furniture on wood or other hard floor surfaces.
- ▲ To limit indentation or discoloration, use protective pads when placing on carpet.
- ▲ **DO NOT TIGHTEN BOLTS UNTIL COMPLETELY ASSEMBLED.**
- ▲ Hardware may loosen over time. Periodically check all connections and re-tighten if necessary.