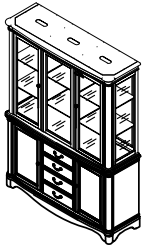




ASSEMBLY INSTRUCTION

ITEM NO : 5615-50 HUTCH
5615-55 BUFFET



Thank you for purchasing this product. Please take time to read and follow the instructions below. Check that you have all parts and hardware before assembly. Parts apparently missing are often found in the packing materials. If you do not have all the parts listed, have your dealer contact us and they will be sent to you immediately.



It is recommended to install protective pads under all legs and supports to avoid damage or scratches when placing furniture on a wood floor or other hard surface, and to limit indentation and prevent discoloration if placing on carpet.



Hardware may loosen over time. Periodically check to make sure all connections are tight. Re-tighten if necessary.

5615-55 PARTS LIST

No	Sketch	Description	Quantity
1		Buffet	1PC

5615-50 PARTS LIST

2		Hutch	1PC
3		Center Glass Shelf	2PCS
4		Right Glass Shelf	2PCS
5		Left Glass Shelf	2PCS

HARDWARE LIST

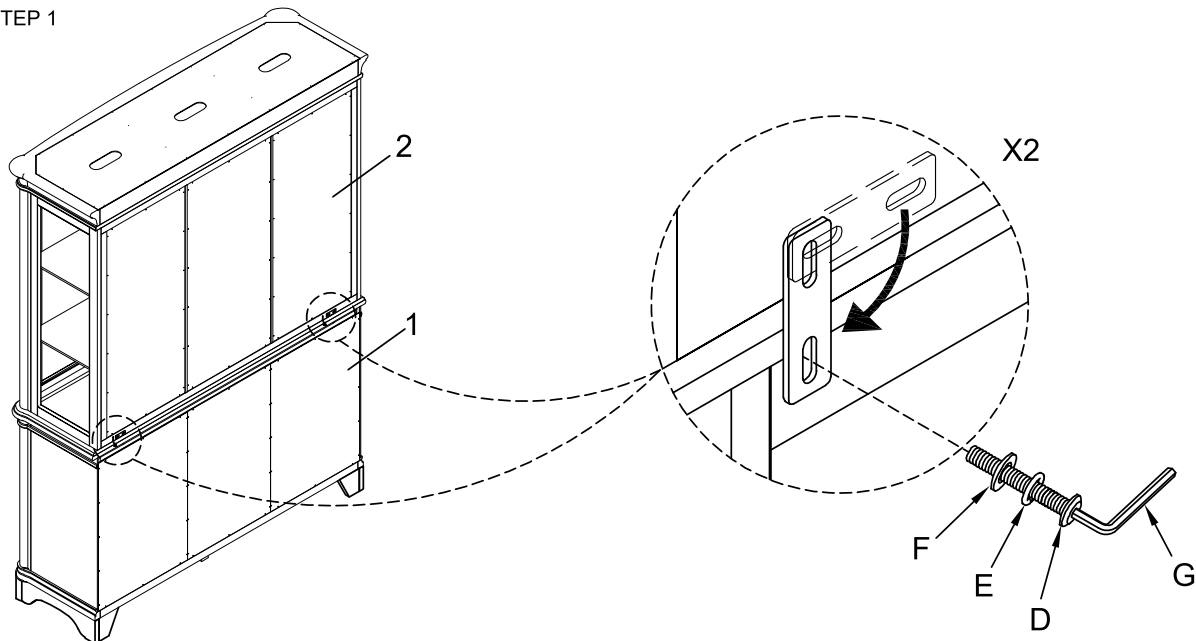
No	Description	Size	Sketch	Quantity
A	Anti-Tip Restraint			1SET

** ABOVE HARDWARE ARE PACKED IN #5615-55 FOR ASSEMBLY.

No	Description	Size	Sketch	Quantity
B	Shelf Support	Ø6 x 1/8"		8PCS
C	Anti-Tip Restraint			1SET
D	Bolt	Ø1/4" - 20 x 3/4"		2PCS
E	Lock Washer	1/4" x 17/64" x 25/64" x 1/16"		2PCS
F	Flat Washer	1/4" x 17/64" x 3/4" x 5/16"		2PCS
G	Allen Wrench	1/6"		1PC

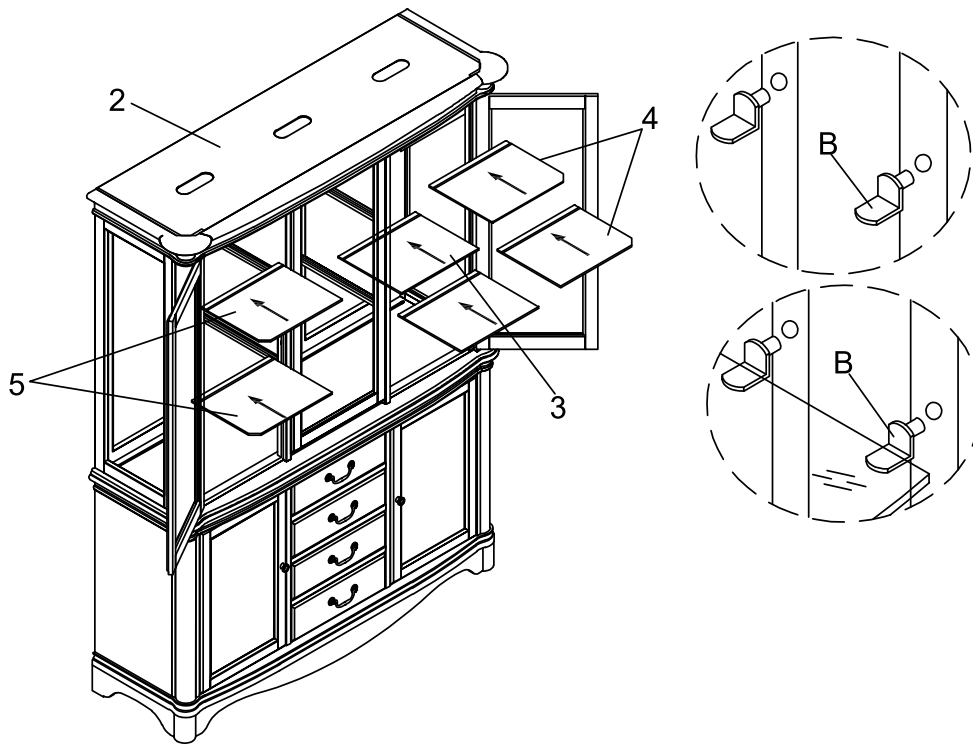
** ABOVE HARDWARE ARE PACKED IN #5615-50 FOR ASSEMBLY.

STEP 1

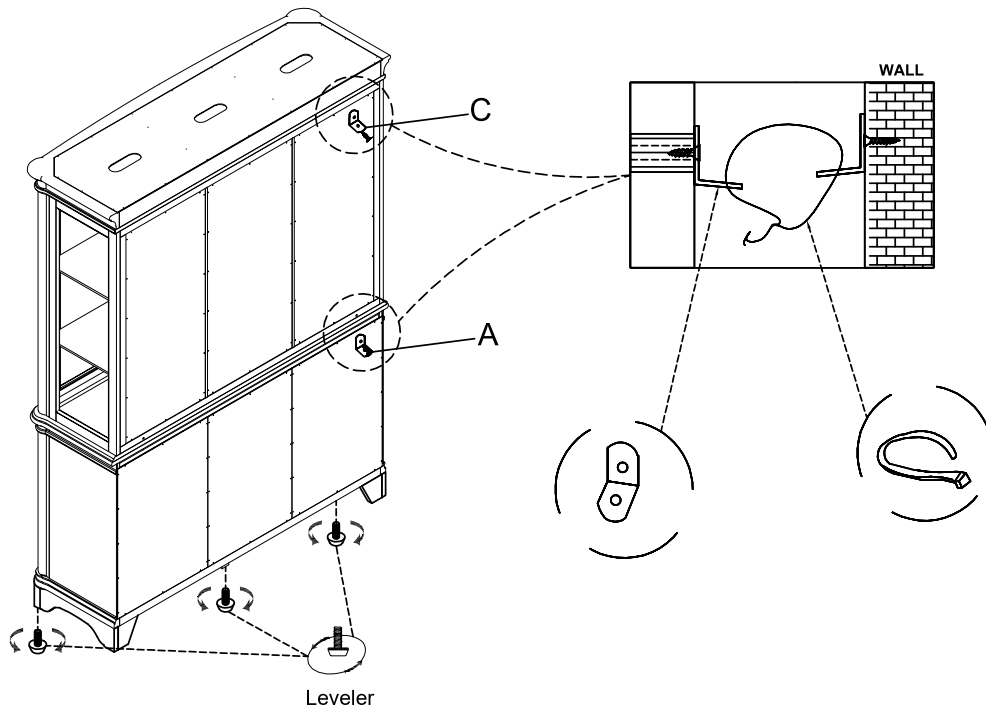


DO NOT TIGHTEN SCREWS AND BOLTS UNTIL COMPLETELY ASSEMBLED.
MADE IN VIETNAM

STEP 2



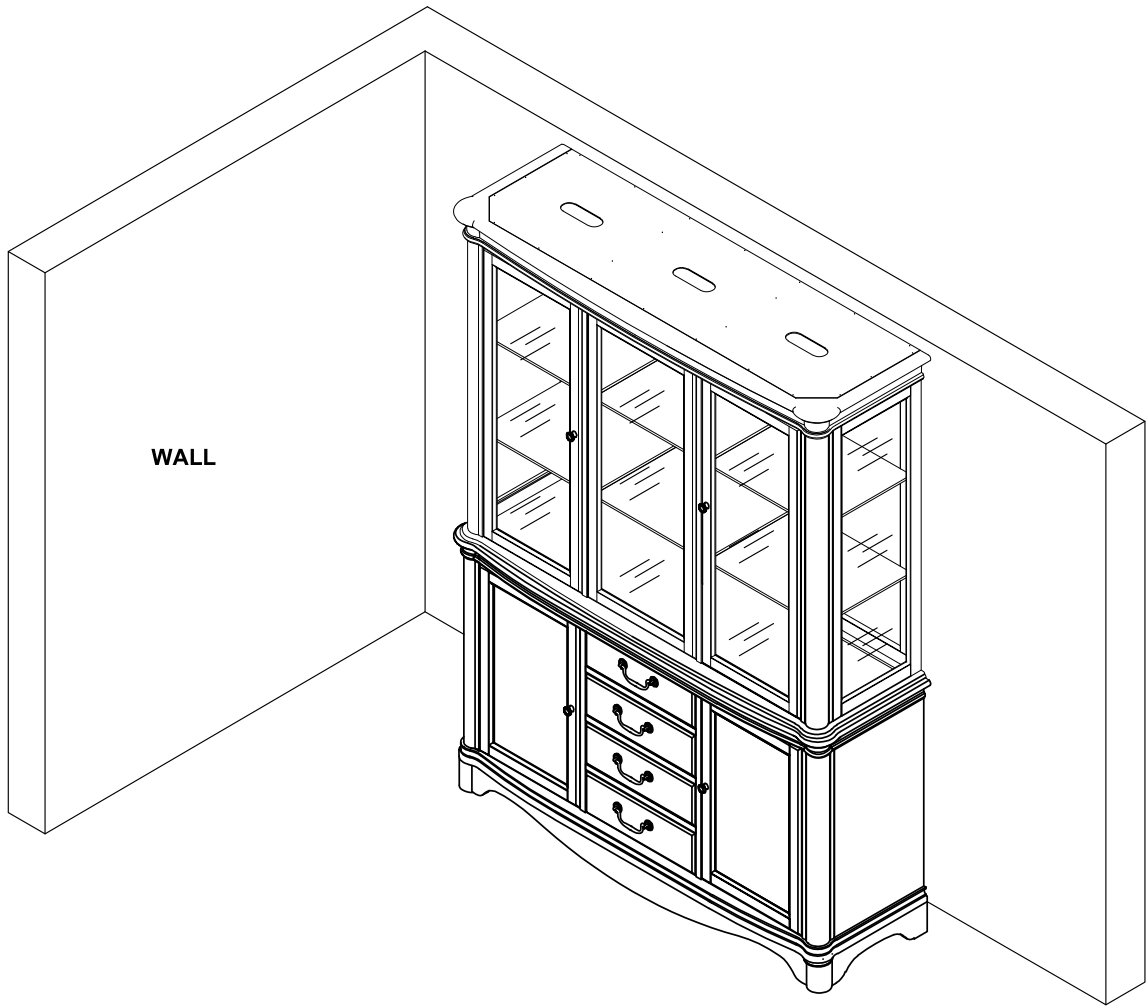
STEP 3



NOTE: Anti tipping hardware kit comes with this product. Please refer to the installation instruction ti the hardware pack. Anti-tipping hardware pack is located on the back panel

DO NOT TIGHTEN SCREWS AND BOLTS UNTIL COMPLETELY ASSEMBLED.
MADE IN VIETNAM

COMPLETED



DO NOT TIGHTEN SCREWS AND BOLTS UNTIL COMPLETELY ASSEMBLED.
MADE IN VIETNAM