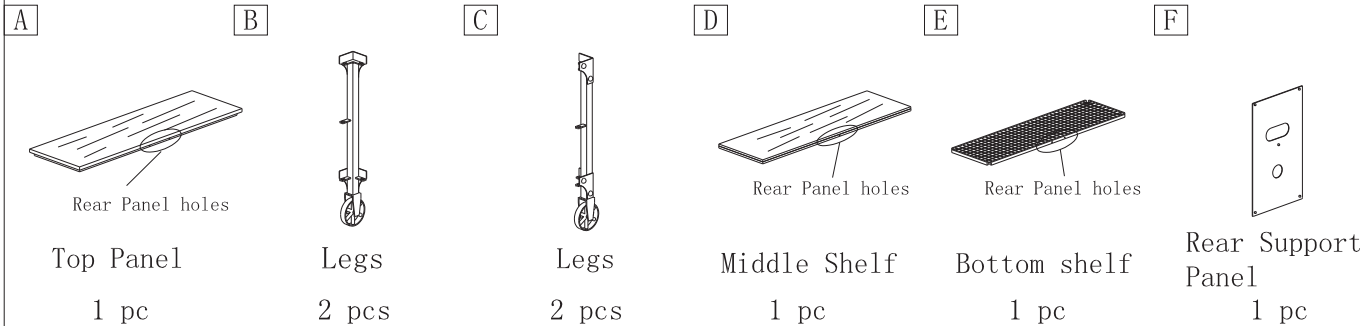




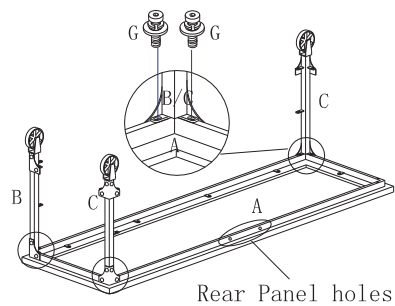
ASSEMBLY INSTRUCTION

50990-T (3A) TV STAND

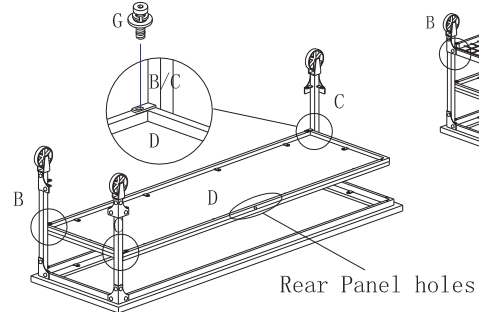


HARDWARE LIST				
G		Bolt with Lock Washer and Flat Washer	1/4"X15mm	25pcs
H		L-Allen Key	4mm	1pc

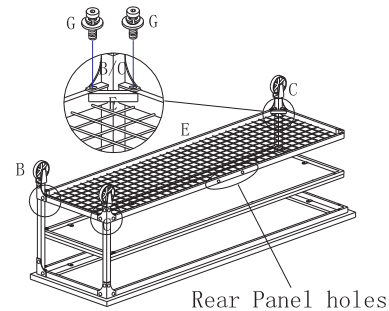
STEP 1



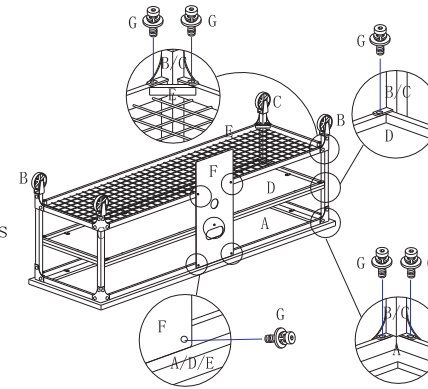
STEP 2



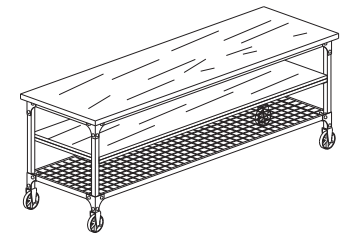
STEP 3



STEP 4



COMPLETED



- (1) Place and face down Top Panel (A) on a stable and smooth surface. Attach one Leg (B) and two Legs (C) firstly to the Top Panel (A), Using Bolts (G) and Allen Wrench (H) to tighten. Then attach the Middle Shelf (D) to the 3 Legs (B & C), using Bolts (G) and Allen Wrench (H) to tighten. Please make sure the connecting holes on Top Panel , Middle Shelf and Bottom Shelf are on the rear side before you assemble them.
- (2) Attach the Bottom Shelf (E) to the 3 Legs (B & C), using Bolts (G) and Allen Wrench (H) to tighten. Then Attach Leg (B) to the Top, Middle Shelf and Bottom Panel, using Bolts (G) and Allen Wrench (H) to tighten. Finally, attach the Rear Support Panel (F) to the Top Panel and Bottom Shelf, using Bolts (G) and Allen Wrench (H) to tighten.
- (3) Check and make sure all the bolts and washers are tighten in position properly, place the table with upright position.