












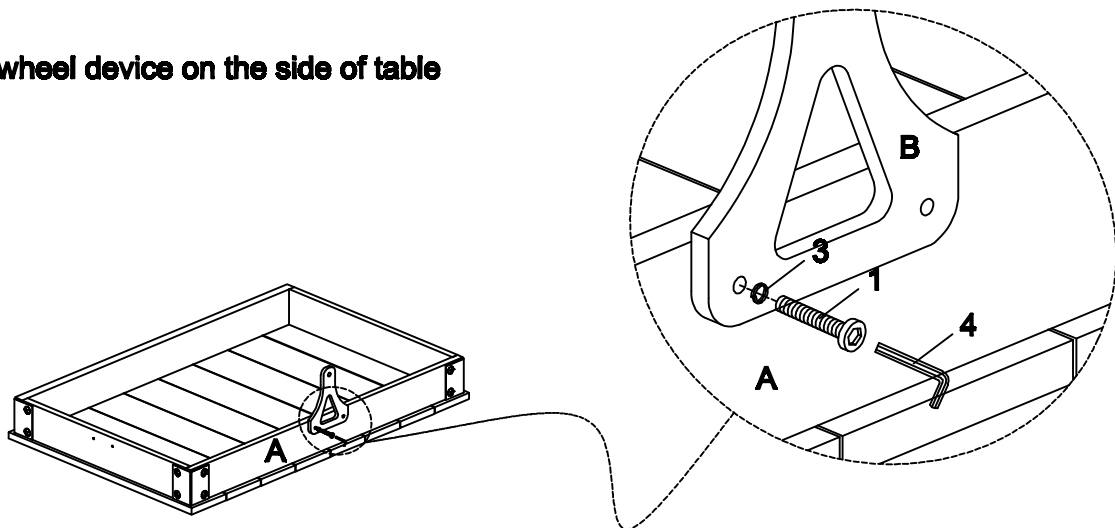
ASSEMBLY INSTRUCTIONS

ITEM#:3228-30 COCKTAIL TABLE

PART LIST					HARDWARE LIST			
A		TABLE TOP	1PC	1		BOLT	5/16"X1-1/2"	8PCS
B		WHEEL DEVICE	2PCS	2		FLAT WASHER	Ø27mm	4PCS
C		SMALL CASTER	2PCS	3		SPRING WASHER	5/16"	8PCS
D		BIG CASTER	2PCS	4		WRENCH	5mm	1PC
E		WHEEL AXLE	1PC	5		SPANNER	19mm	1PC
				6		WASHER		2PCS

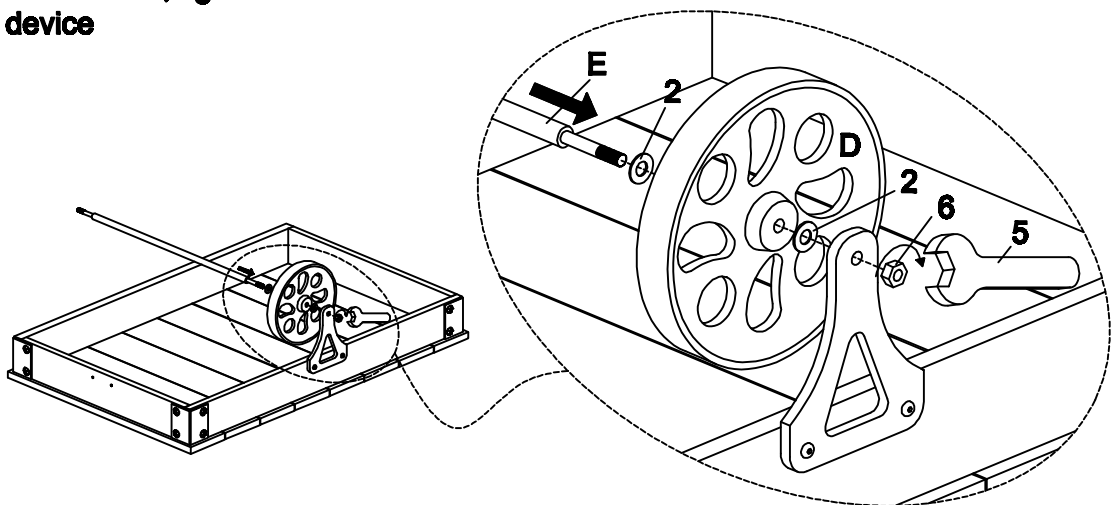
STEP 1

Fix the wheel device on the side of table

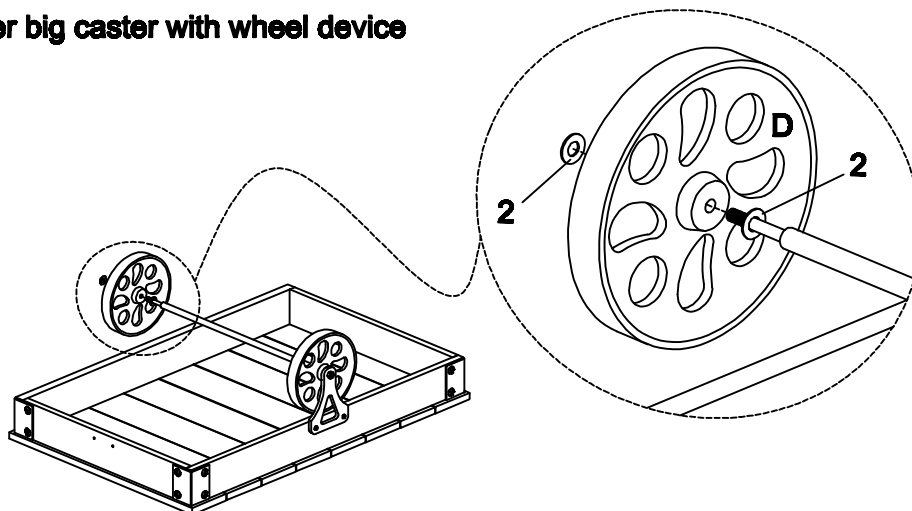


STEP 2

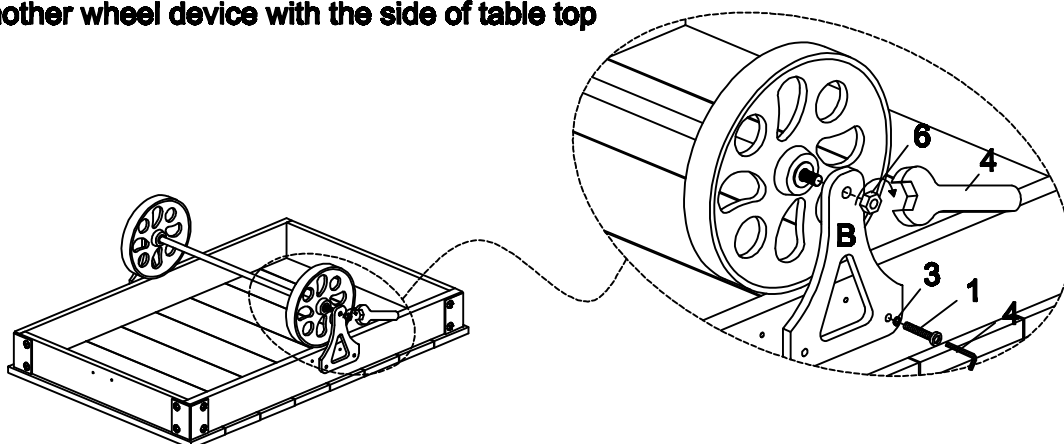
Assemble wheel axle ,big caster with the wheel device



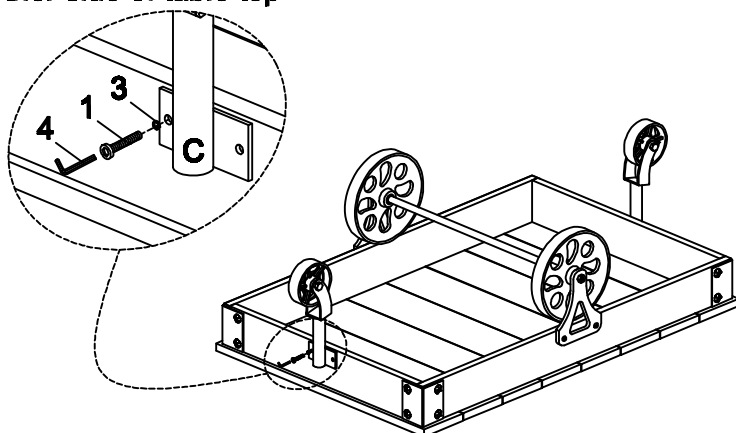
STEP 3
Assemble another big caster with wheel device



STEP 4
Fix another wheel device with the side of table top



STEP 5
Fasten the small caster on the other side of table top



STEP 6
Assembly completed

