

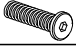
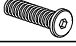






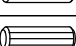
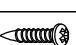



Thank you for purchasing this quality product. Be sure to check all packing material carefully for small parts that may have come loose inside the carton during shipment

TOOLS REQUIRED (NOT PROVIDED)


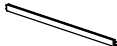
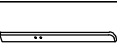

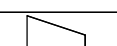
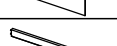
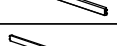
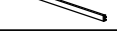
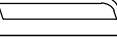
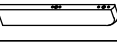
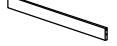


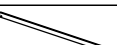
PHILLIPS SCREWDRIVER



## HARDWARE LISTS

NO.	Description	Sketch	Size	Q'ty
1	BOLT (SPARE HARDWARE 1PC)		1/4"*25mm	13PCS
2	BOLT		1/4"*55mm	2PCS
3	HORIZONTAL-HOLE BOLT		1/4"*15mm	2PCS
4	THREADED BOLT (SPARE HARDWARE 1PC)		1/4"*89mm	9PCS
5	SPRING WASHER (SPARE HARDWARE 2PCS)		1/4"	24PCS
6	FLAT WASHER (SPARE HARDWARE 2PCS)		1/4"*12.5mm	24PCS
7	HALF MOON NUT (SPARE HARDWARE 1PC)		28*14*7mm	9PCS
8	HEX NUT (SPARE HARDWARE 1PC)		1/4"	9PCS
9	WOOD DOWEL (SPARE HARDWARE 1PC)		Ø8*25mm	9PCS
10	WOOD DOWEL		Ø8*40mm	4PCS
11	SCREW (SPARE HARDWARE 2PCS)		Ø8*25mm	26PCS
12	ALLEN KEY		4mm	1PC
13	WRENCH		88*10mm	1PC

## PART LISTS

NO.	Description	Sketch	Q'ty
A	HEADBOARD TOP BAR		1PC
B	HEADBOARD BOTTOM BAR		1PC
C-L	HEADBOARD LEG (LSF)		1PC
C-R	HEADBOARD LEG (RSF)		1PC
D	HEADBOARD PANEL		1PC
E	FOOTBOARD TOP BAR		1PC
F	FOOTBOARD BOTTOM BAR		1PC
G-L	FOOTBOARD LEG (LSF)		1PC
G-R	FOOTBOARD LEG (RSF)		1PC
H-1	SIDE RAIL H1		2PCS
H-2	SIDE RAIL H2		2PCS
I	SLAT (1SET/6PCS)		2SETS
J	SUPPORT BAR		1PC
K	SUPPORT LEG OF SIDE RAIL		2PCS

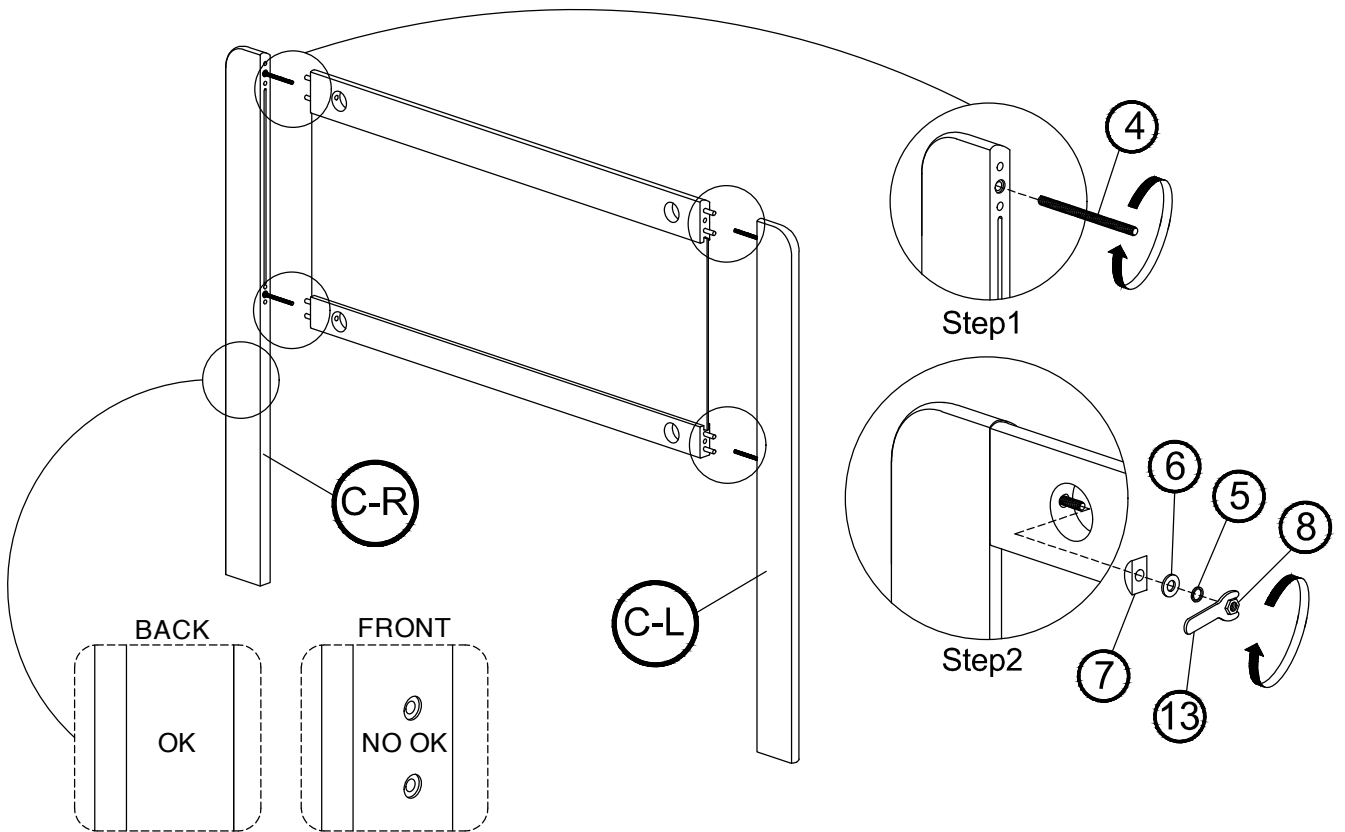
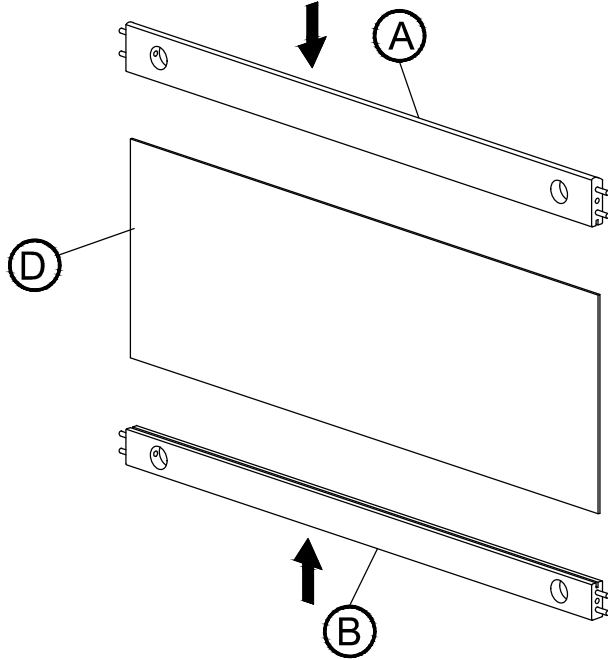



It is recommended to install protective pads under all legs and supports to avoid damage or scratches when placing furniture on a wood floor or other hard surface, and to limit indentation and prevent discoloration if placing on carpet.

# ASSEMBLY INSTRUCTION

ITEM NO : 2403T-1 TWIN BED

Thank you for purchasing this quality product. Be sure to check all packing material carefully for small parts that may have come loose inside the carton during shipment

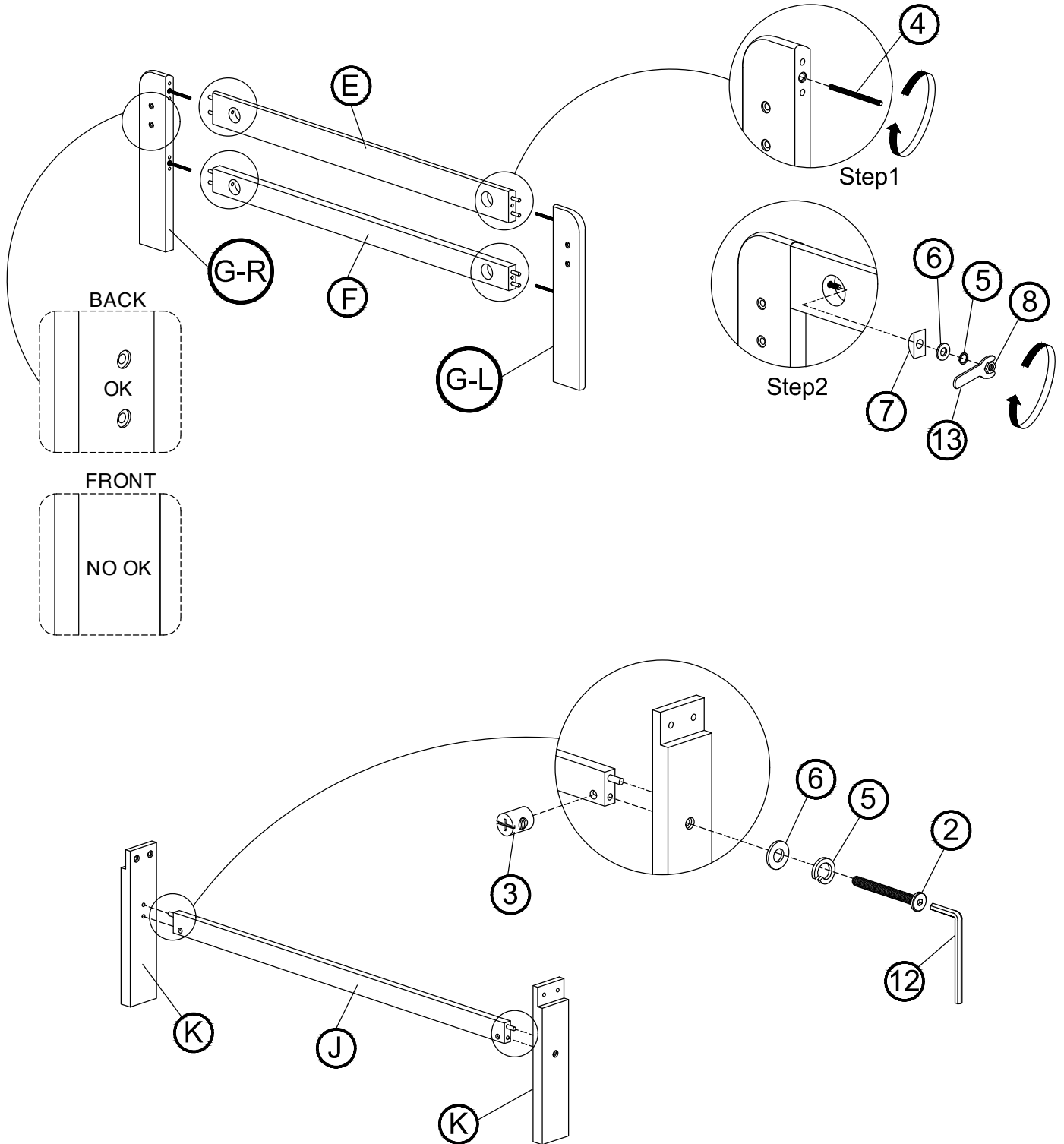


 It is recommended to install protective pads under all legs and supports to avoid damage or scratches when placing furniture on a wood floor or other hard surface, and to limit indentation and prevent discoloration if placing on carpet.

# ASSEMBLY INSTRUCTION

ITEM NO : 2403T-1 TWIN BED

Thank you for purchasing this quality product. Be sure to check all packing material carefully for small parts that may have come loose inside the carton during shipment

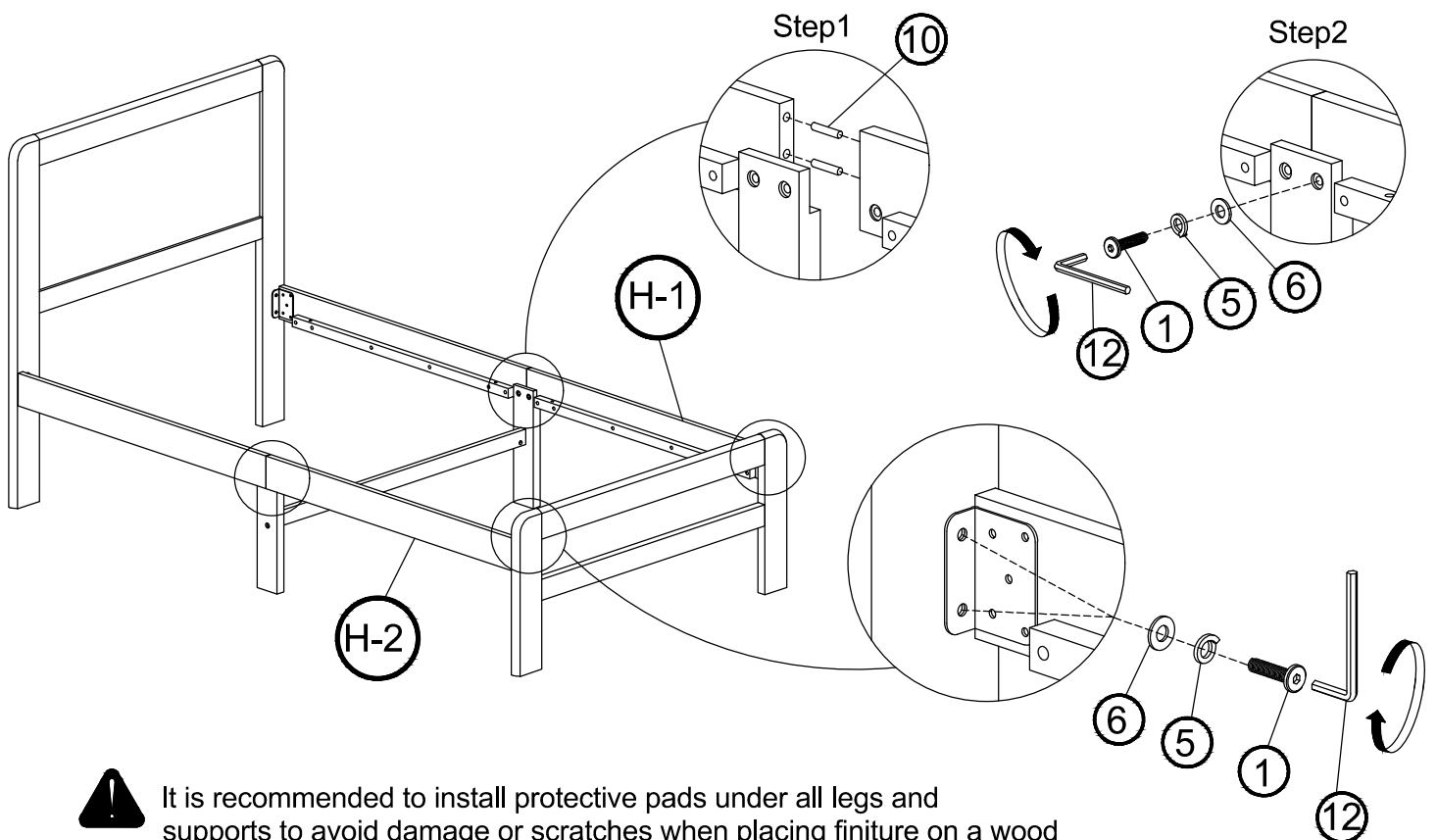
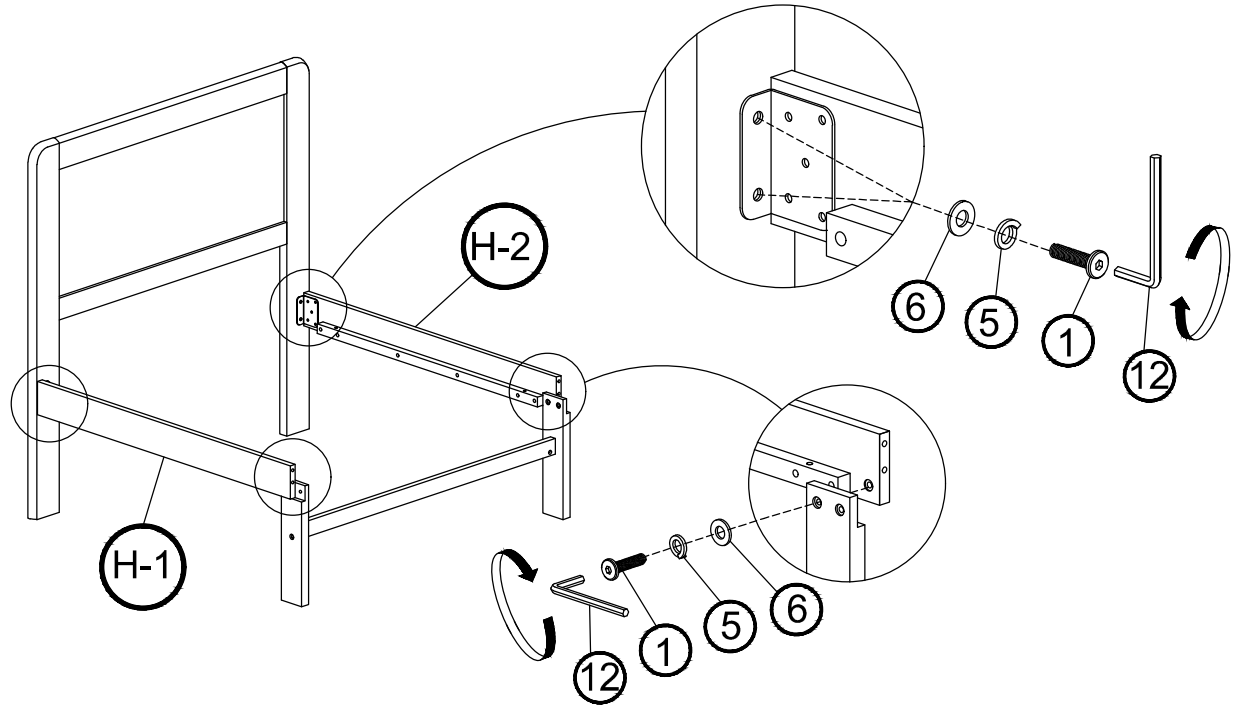


It is recommended to install protective pads under all legs and supports to avoid damage or scratches when placing furniture on a wood floor or other hard surface, and to limit indentation and prevent discoloration if placing on carpet.

# ASSEMBLY INSTRUCTION

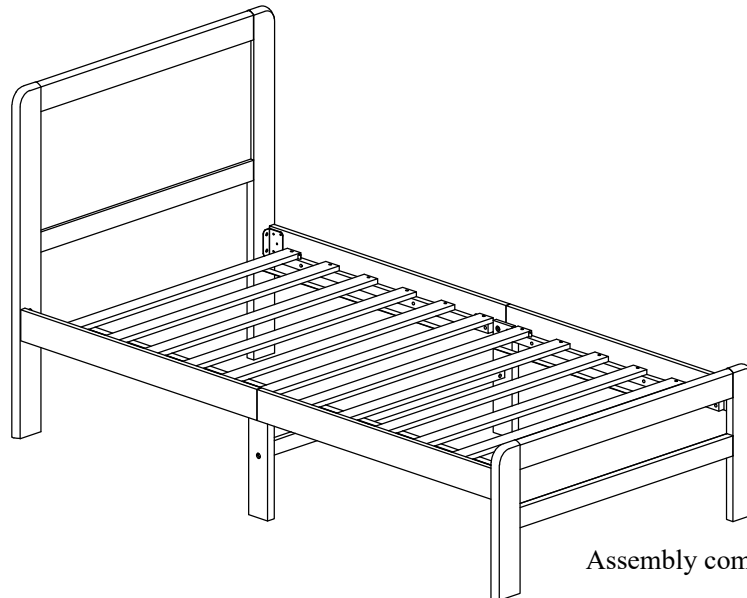
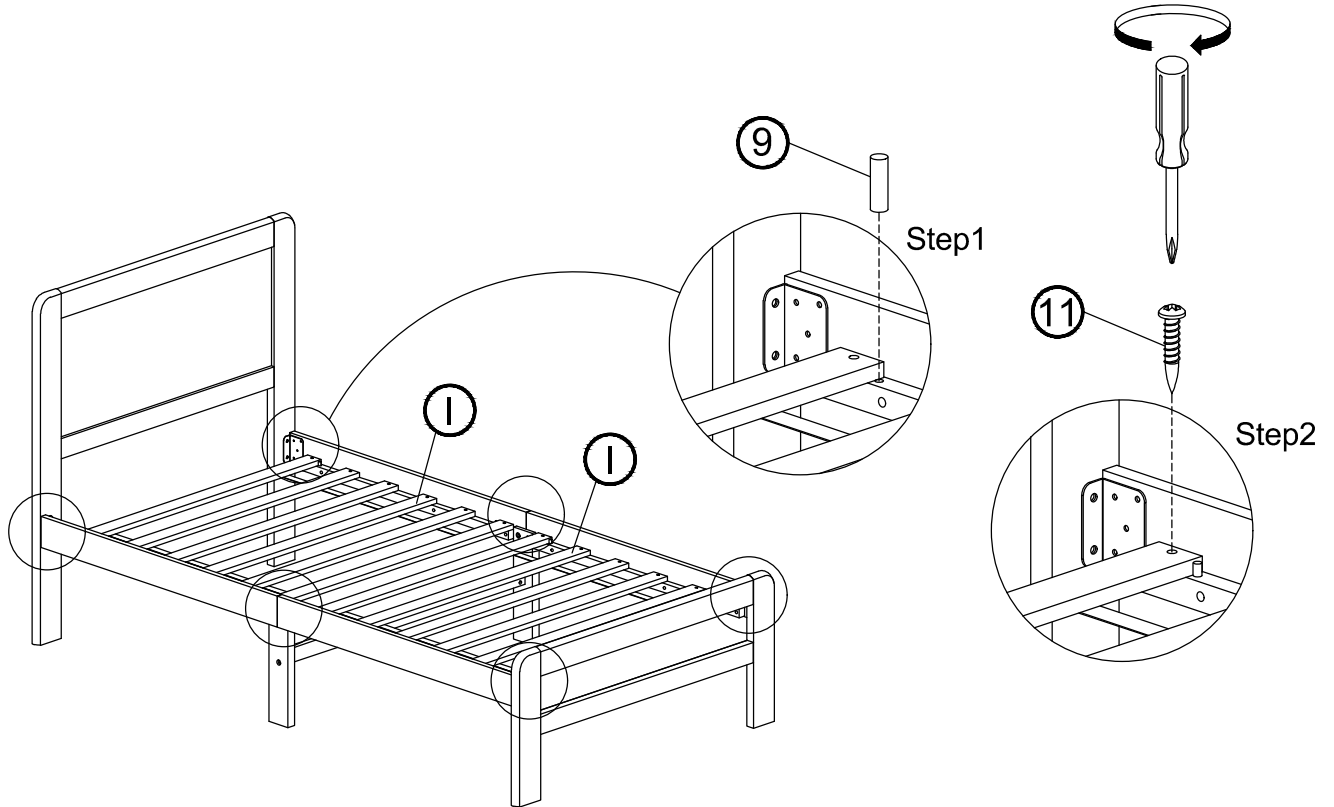
ITEM NO : 2403T-1 TWIN BED

Thank you for purchasing this quality product. Be sure to check all packing material carefully for small parts that may have come loose inside the carton during shipment



It is recommended to install protective pads under all legs and supports to avoid damage or scratches when placing furniture on a wood floor or other hard surface, and to limit indentation and prevent discoloration if placing on carpet.

Thank you for purchasing this quality product. Be sure to check all packing material carefully for small parts that may have come loose inside the carton during shipment



Assembly completed



It is recommended to install protective pads under all legs and supports to avoid damage or scratches when placing furniture on a wood floor or other hard surface, and to limit indentation and prevent discoloration if placing on carpet.