

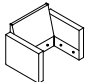
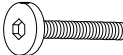
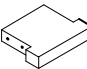

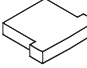

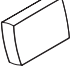




ASSEMBLING INSTRUCTIONS

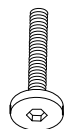
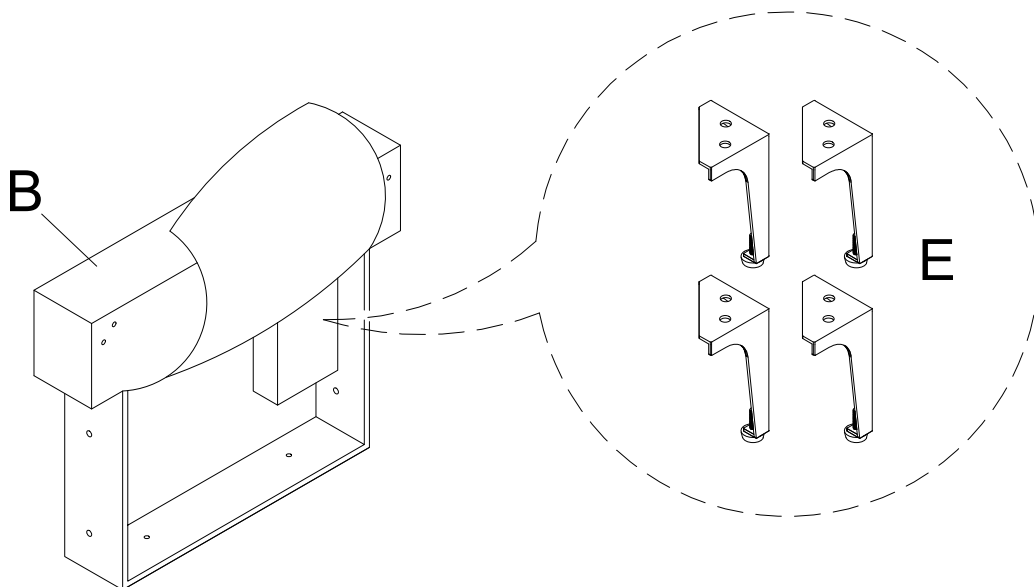
ITEM NO: 1051BE-1/ 1051BU-1/ 1051DG-1

Accent Chair

! Legs and hardware are stored in the bottom of the seat, please take them out for assembly.
Note: Do not use power tools for assembly. Power tools increase the risk of over tightening which lead to splitting or cracking the wood.

PART	DRAWING	DESCRIPTION	QTY	PART	DRAWING	DESCRIPTION	QTY
A		Chair Back	1 PC	1		Bolt Ø5/16"×1-1/2"	14 PCS
B		Chair Seat	1 PC	2		Spring Washer Ø5/16"	14 PCS
C		Seat Cushion	1 PC	3		Flat Washer Ø5/16"×3/4"	14 PCS
D		Back Cushion	1 PC	4		Allen Key M4	1 PC
E		Metal Leg 3-5/32"×3-5/32"×5-3/4"	4 PCS				

STEP 1:



x14



x14



x14



x1

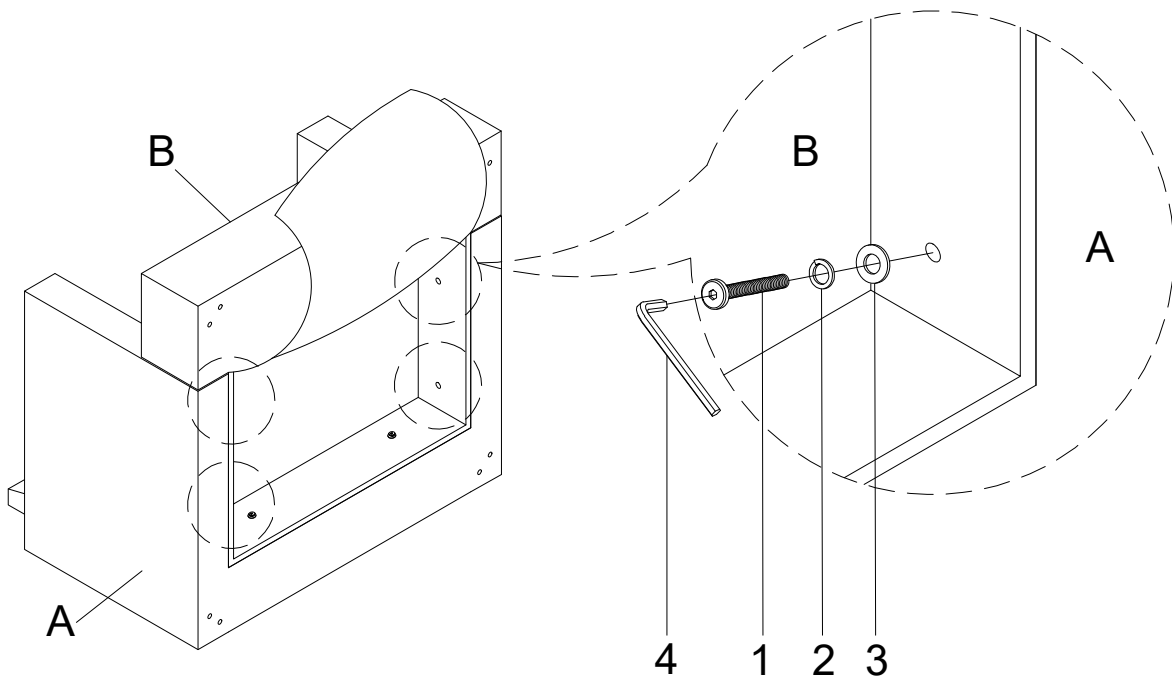
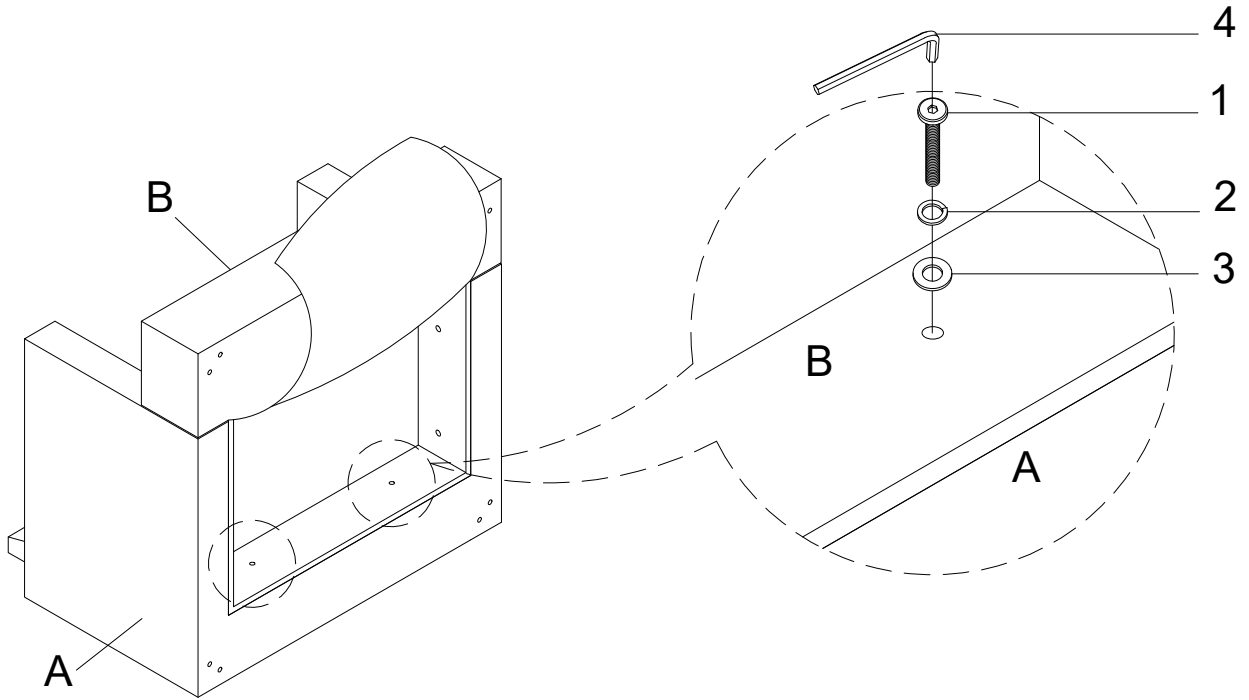


ASSEMBLING INSTRUCTIONS

ITEM NO: 1051BE-1/ 1051BU-1/ 1051DG-1

Accent Chair

STEP 2:



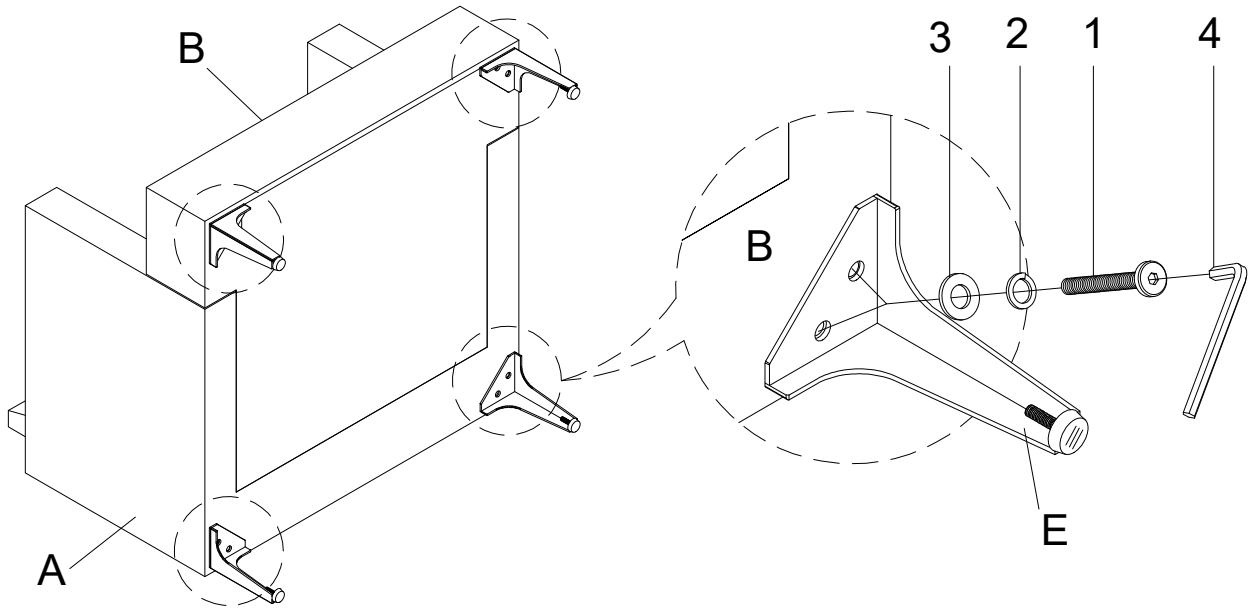


ASSEMBLING INSTRUCTIONS

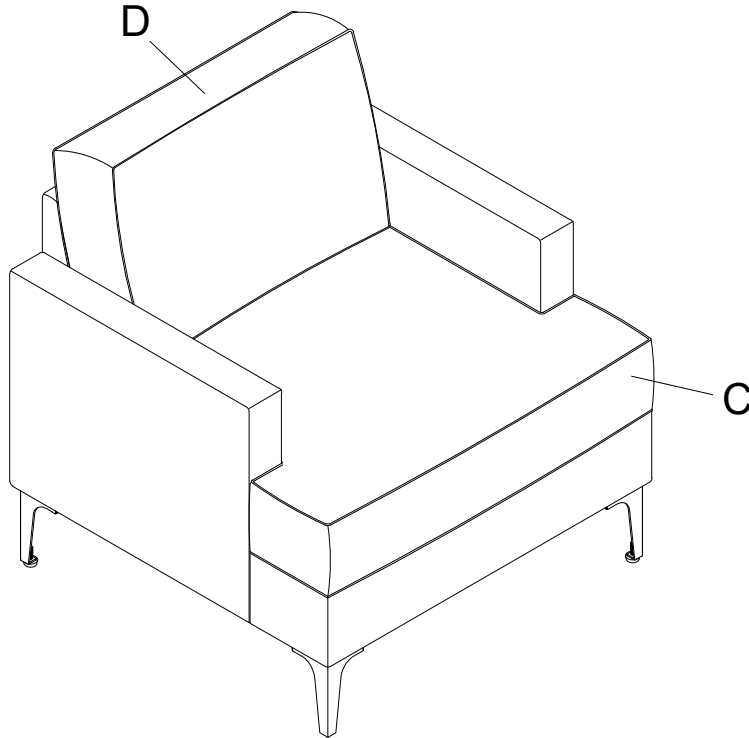
ITEM NO: 1051BE-1/ 1051BU-1/ 1051DG-1

Accent Chair

STEP 3:



COMPLETED



Care Instruction for Chenille Furniture:

In order to maintain the original appearance of your chenille furniture, please follow below simple care procedures:

- Avoid exposing furniture directly to sunlight or heating and air conditioning outlets.
- Sunlight and or exposure to heating and airconditioning outlets will fade/damage chenille.
- Vacuum or wipe with a soft cloth to remove dust.
- Hardware may loosen over time. Periodically check to make sure all connection are tight, Re-tighten if necessary



For item use on wooden floor,hard surfaces or carpets,it is recommended to install protective pads under all legs and supports to avoid/prevent from damages/scratches and discoloration.